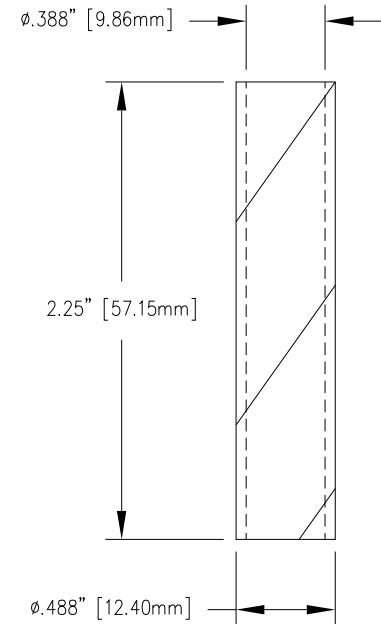
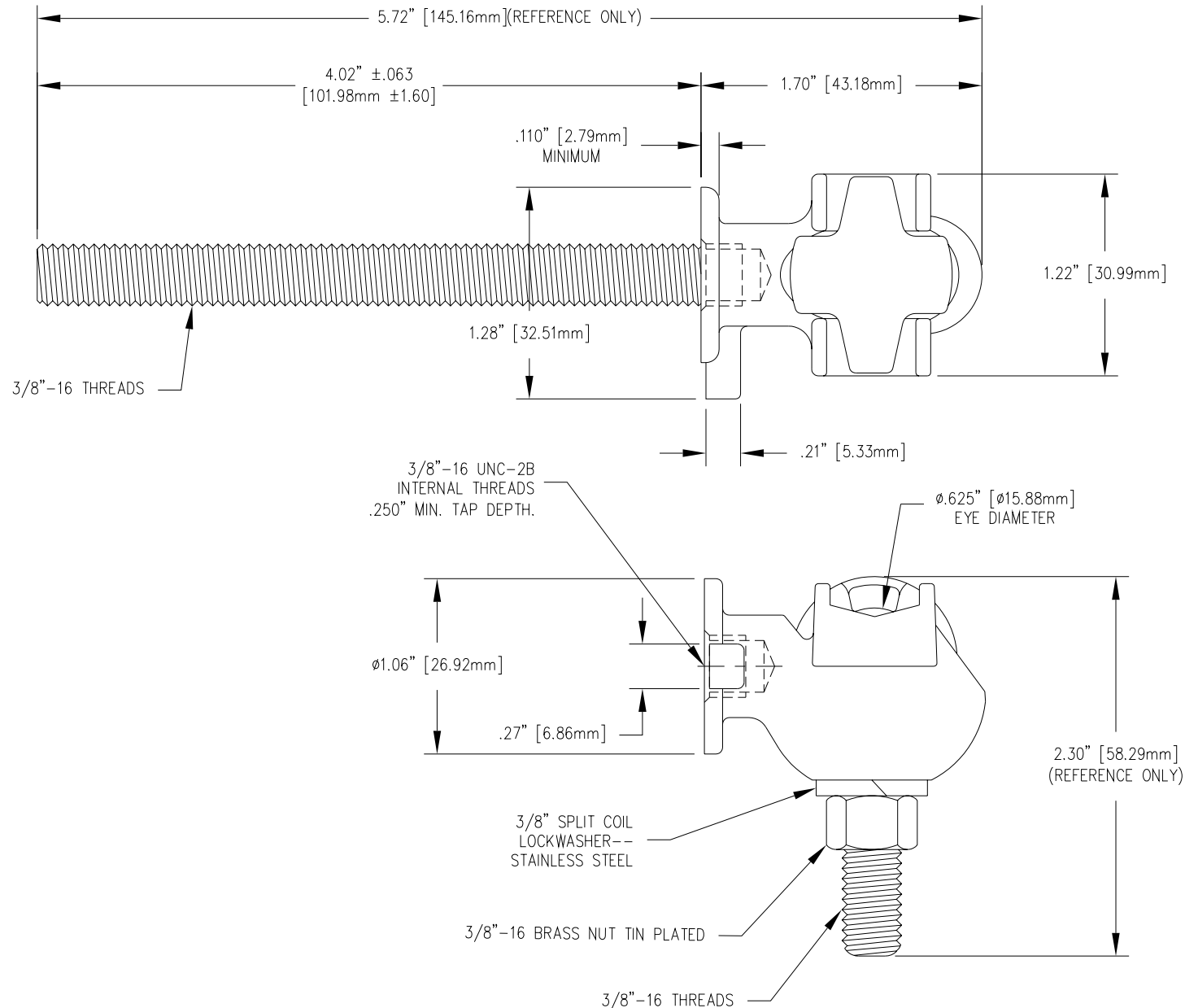


REVISIONS				
NO.	DATE	REMARKS	BY	APPD.




THREAD PROTECTOR

NOTES:

1. INCLUDES THREE EXTRA BRASS NUTS.
2. INCLUDES ONE EXTRA BRASS WASHER.
3. STUD HAS BEEN REMOVED FROM THE BOTTOM VIEW FOR CLARITY.

MATERIAL:

STUD - COPPER CDA 110
 TERMINAL BODY - CDA 844 TIN PLATED
 EYE BOLT - CDA 955 TIN PLATED
 INCLUDES THREAD PROTECTOR (INSTALLED)

TOLERANCES (EXCEPT AS NOTED)				H-J ENTERPRISES, INC. 3010 HIGH RIDGE BLVD. HIGH RIDGE, MO. 63049 USA PHONE 1-636-677-3421 FAX 1-636-376-1915	
DECIMAL	± .032" / .8mm			15 KVA L.V. TERMINAL BODY, STUD, AND EYEBOLT HARDWARE ASSEMBLY	
FRACTIONAL	±	MATERIAL (SEE ABOVE)		CHK'D	APP'D
ANGULAR	± 2°	DRAWING NO.		SCALE	
DRAWN BY CJT		DATE 11-15-99		SCALE N.T.S.	AS1018-011