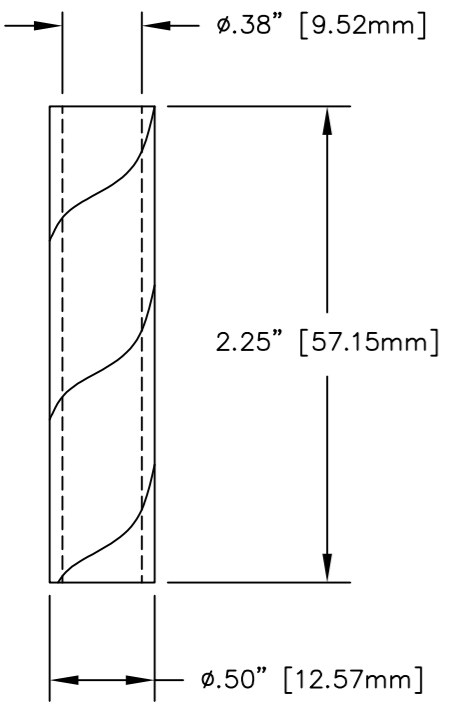
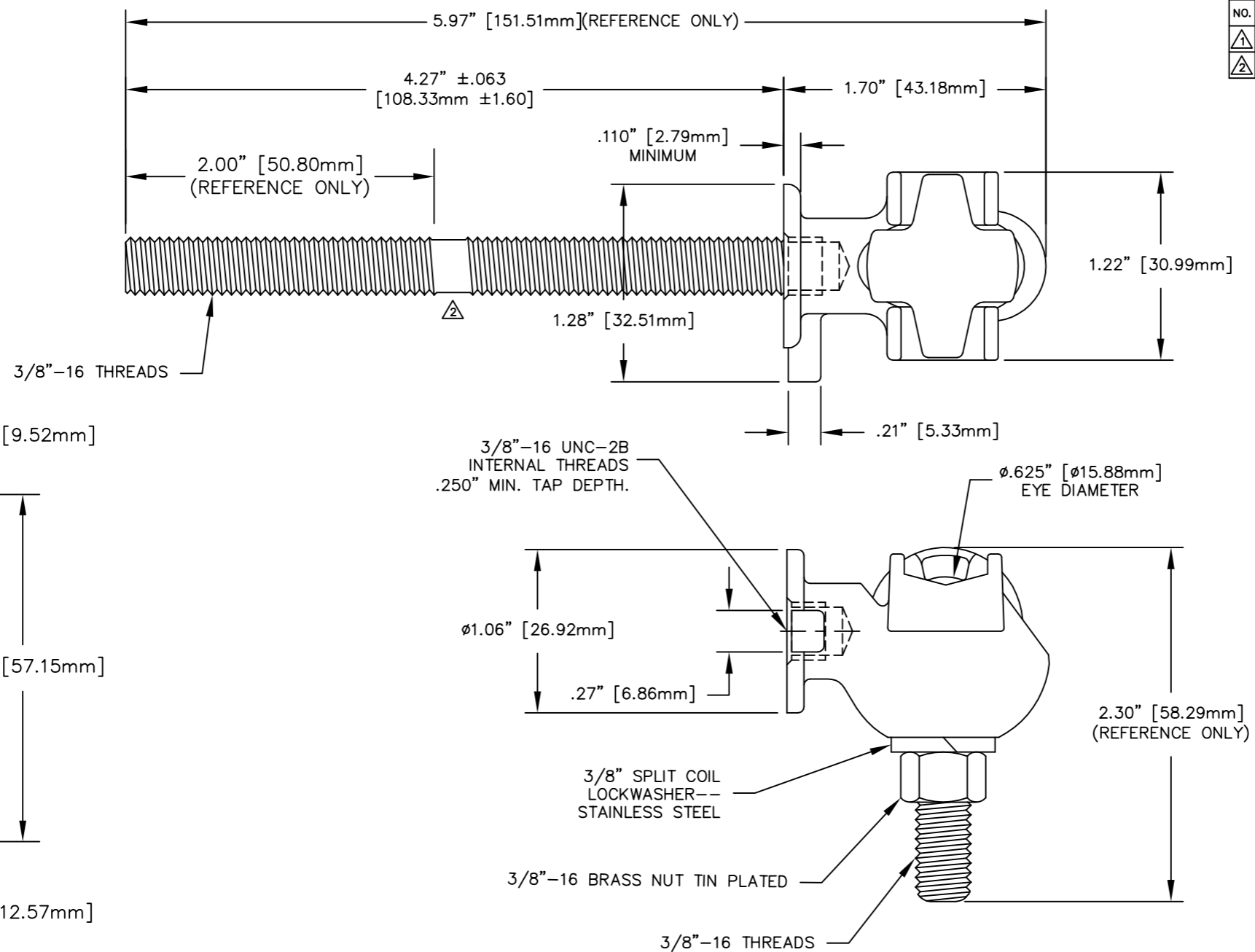



REVISIONS					
NO.	DATE	ECN #	REMARKS	BY	APPD.
1	11-12-99		REDRAWN & REDIMENSIONED.	CJT	LHE
2	2-16-06	HJ06-011	REVISED THREADS.	CJT	SP



**MATERIAL:**  
 STUD - COPPER CDA 11000  
 BODY - CDA 84400 TIN PLATED.  
 EYEBOLT - CDA 95500 TIN PLATED

THREAD PROTECTOR

- NOTES:**
1. INCLUDES THREE EXTRA BRASS NUTS (NT0002-001).
  2. INCLUDES THREE EXTRA BRASS WASHERS (WA0022-001).

TOLERANCES (EXCEPT AS NOTED)				<b>H-J ENTERPRISES, INC.</b> 3010 HIGH RIDGE BLVD. HIGH RIDGE, MO. 63049 USA PHONE 1-636-677-3421 FAX 1-636-376-1915	
DECIMAL	± .032"/.8mm			<b>TERMINAL BODY, EYEBOLT AND STUD ASBY.</b>	
FRACTIONAL	±			MATERIAL (SEE ABOVE)	
ANGULAR	± 2°	CHK'D	APP'D	DRAWING NO.	
DRAWN BY CJT		DATE 9-22-98		SCALE N.T.S.	
				AS1018-008	