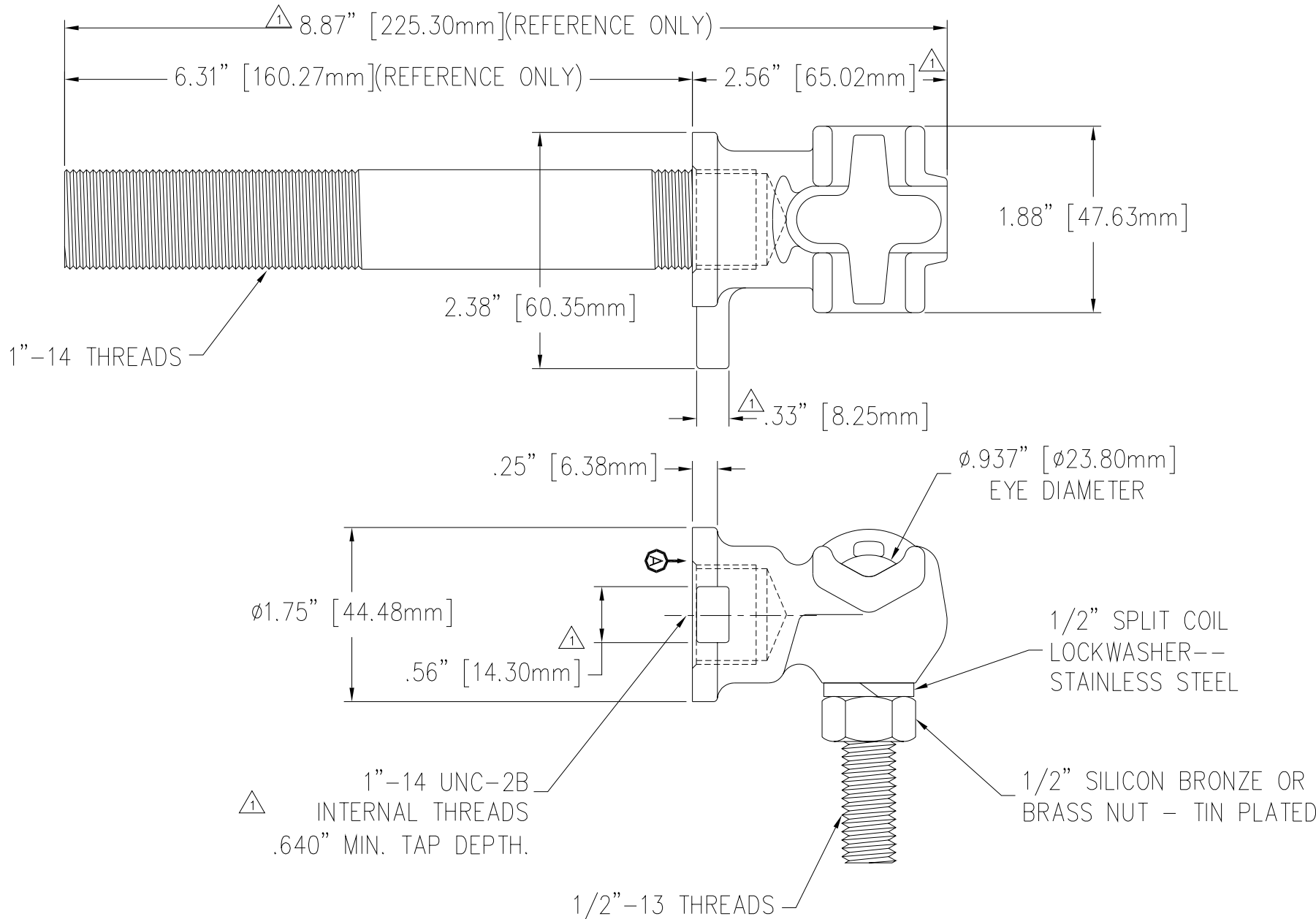


REVISIONS				
NO.	DATE	REMARKS	BY	APPD.
1	12-8-99	EDITED TAP DEPTH AND DIMENSIONS.	CJT	LHE



NOTE:
 FULL THREAD FROM SURFACE $\text{\textcircled{A}}$
 TO THE DEPTH SPECIFIED IN THE TAP NOTE.

NOTE:
 BOTTOM VIEW SHOWN WITHOUT
 STUD FOR CLARITY.

MATERIAL:
 STUD - COPPER CDA 110
 BODY - CDA 844 TIN PLATED

TOLERANCES (EXCEPT AS NOTED)				H-J ENTERPRISES, INC. 3010 HIGH RIDGE BLVD. HIGH RIDGE, MO. 63049 USA PHONE 1-636-677-3421 FAX 1-636-376-1915	
DECIMAL	$\pm .032$ / .8mm			75 KVA TERMINAL BODY, EYEBOLT, AND STUD HARDWARE ASSEMBLY	
FRACTIONAL	\pm	MATERIAL (SEE DRAWING)			
ANGULAR	$\pm 2^\circ$	CHK'D	APP'D	DRAWING NO.	
		DRAWN BY	DATE	SCALE	AS1010-002
		CJT	10-5-98	N.T.S.	