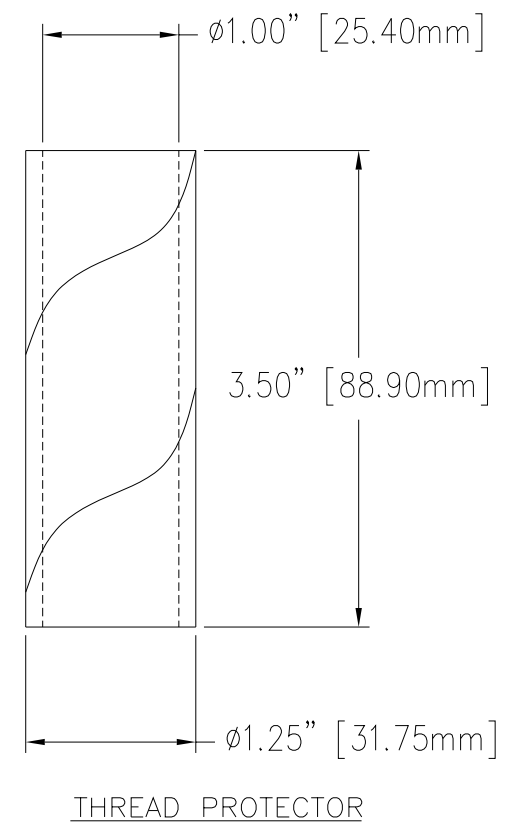
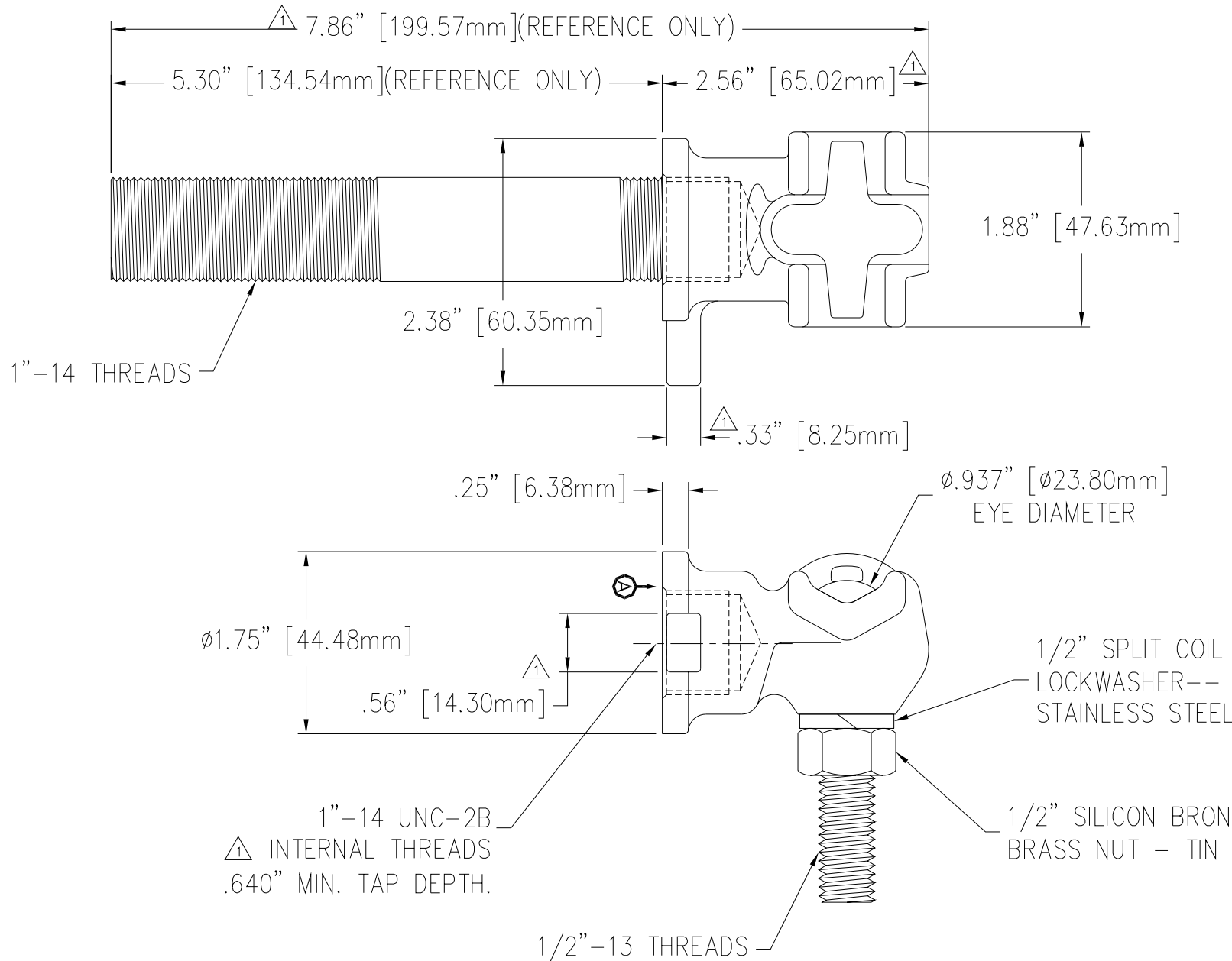


REVISIONS				
NO.	DATE	REMARKS	BY	APPD.
1	12-8-99	EDITED TAP DEPTH AND DIMENSIONS.	CJT	LHE



NOTE:  
BOTTOM VIEW SHOWN WITHOUT  
STUD FOR CLARITY.

MATERIAL:  
STUD - COPPER CDA 110  
BODY - CDA 844 TIN PLATED

NOTE:  
FULL THREAD FROM SURFACE  
TO THE DEPTH SPECIFIED IN THE TAP NOTE.

TOLERANCES (EXCEPT AS NOTED)					<b>H-J ENTERPRISES, INC.</b> 3010 HIGH RIDGE BLVD. HIGH RIDGE, MO. 63049 USA PHONE 1-636-677-3421 FAX 1-636-376-1915		
DECIMAL	± .032" / .8mm				75 KVA TERMINAL BODY, EYEBOLT, AND STUD HARDWARE ASSEMBLY		
FRACTIONAL	±	MATERIAL (SEE DRAWING)			CHK'D	APP'D	DRAWING NO.
ANGULAR	± 2°	DRAWN BY	DATE	SCALE	AS1010-001		
		CJT	10-5-98	N.T.S.			