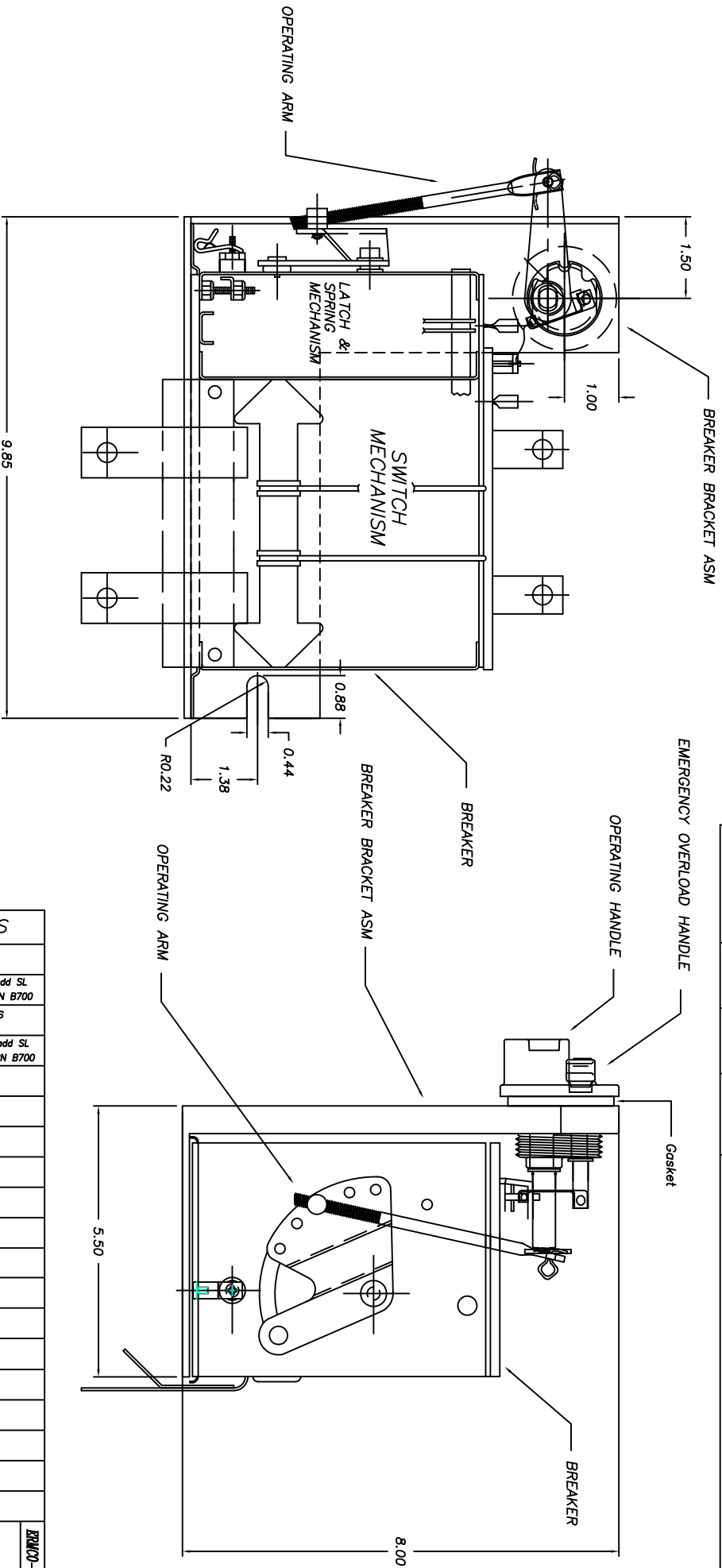


FOR MOUNTING ON FLAT SURFACE



UNLESS OTHERWISE SPECIFIED, TOLERANCES ARE SURFACES 2 PL DEC ANGLES 3 PL DEC DEG

✓ ± ± ± DEG

TITLE
OUTLINE (BREAKER W/ BRACKET)
 SH 1
 32B138003
 CONT ON SH 2
 T13 & T14 BKR W/BACKET
 FIRST MADE FOR

F01

11/11

A2-6

REVISIONS		DATE	BY	APPROVALS	ECL	32B138003	SH 1
1	N. Adams 11/22/11 Remove #Phase column, add SL Bulb Column on Sh. 2 ECN B700						
2	Nicholas Adams 11/22/11 Remove #Phase column, add SL Bulb Column on Sh. 2 ECN B700	11/22/11	Nicholas Adams				

ISSUED BY: Nicholas Adams 11/22/11

ERMCO-BTL

PRINTS TO

OUTLINE: BREAKER ON A BRACKET ASSEMBLY

Single Phase		FIRST MADE FOR T13, T14 BKR W/BCKET (FLAT SURFACE)				
CATALOG NO.	TRIP TEMP	LIGHT	SIGNAL LIGHT BULB	AMP RANGE	BREAKER	HANDLE TYPE
7561ZB0399	110	YES	YES	313-417	2501K064G07	EPAD
7561ZB0999	172	NO	NO	313-417	2501K064G08	EPAD
7561ZB1099	170	YES	YES	694	2501K064G09	EPAD
7561ZB1199	165	YES	YES	313-417	2501K064G07	EPAD
7561ZB1299	135	YES	YES	313-417	2501K064G07	ELP
7561ZB2599	172	NO	NO	313-417	2501K064G08	EPAD
7561ZB2699	165	YES	YES	313-417	2501K064G07	EPAD
7561ZB3299	110	YES	YES	313-417	2501K064G07	ELP
7561ZB3399	120	YES	YES	313-417	2501K064G07	ELP
7561ZB3599	170	YES	YES	694	2501K065G02	EPAD
7561ZB3999	130	YES	YES	313-417	2501K064G07	EPAD
7561ZB4499	172	YES	YES	313-417	2501K064G07	EPAD
7561ZB5599	130	YES	NO	313-417	2501K064G07	EPAD
7561ZB5699	140	YES	NO	313-417	2501K064G07	EPAD

OPERATING HANDLE LEGEND
ELP - Emergency Long Pole
EPAD - Emergency Pad

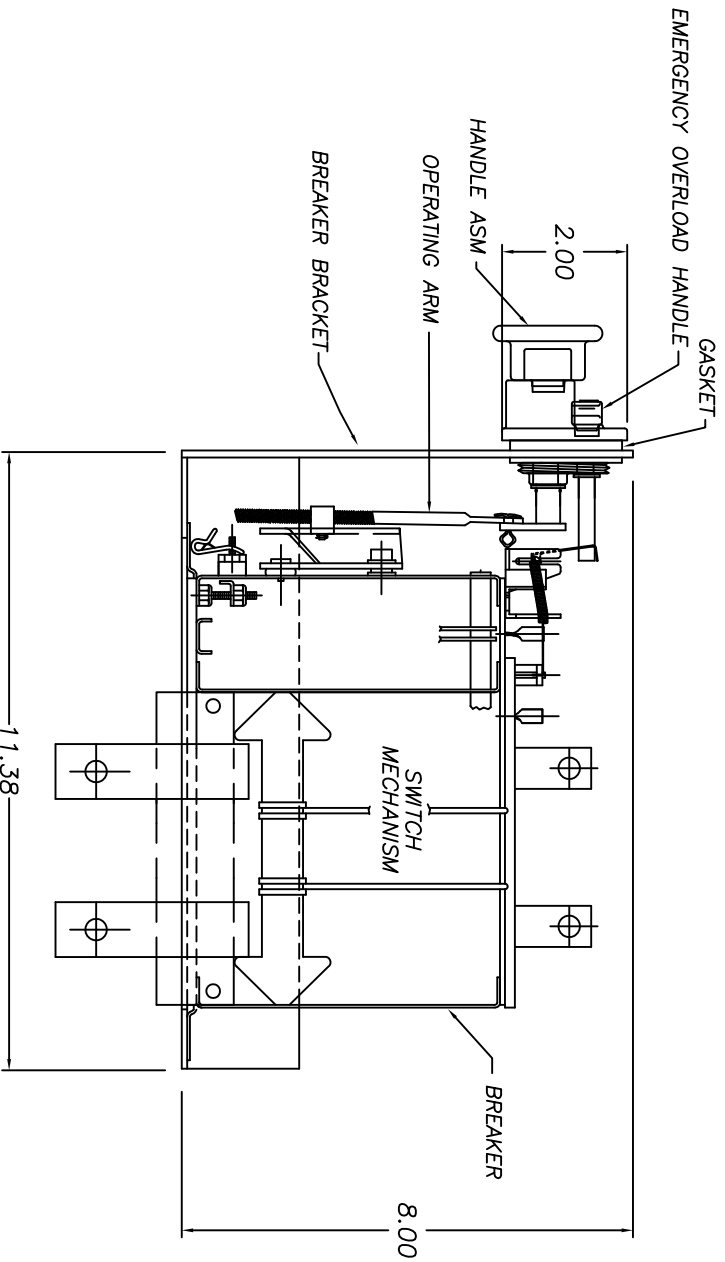
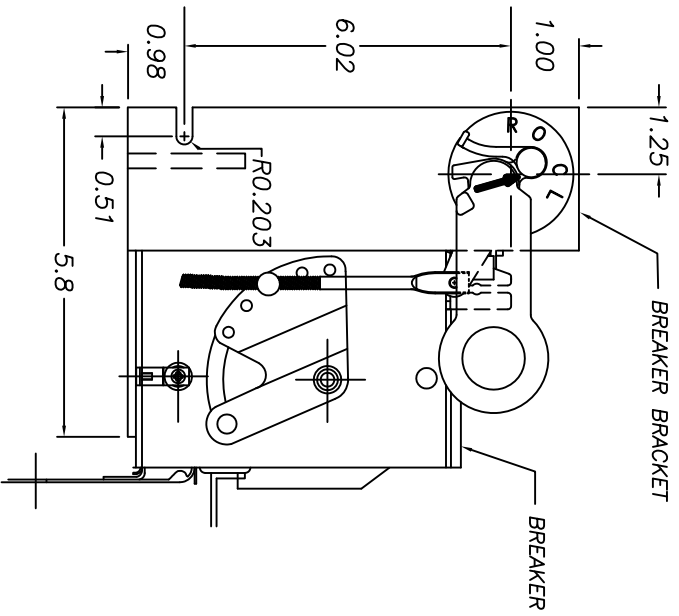
REVISION

1) Remove # Phase column, add SL Bulb Column ECN B691

2) Remove # Phase column, add SL Bulb Column ECN B700

MADE BY: Nicholas Adams 9/29/06	APPROVAL: ECI	DRAWING NO. 3 2B138003
ISSUED BY: Nicholas Adams 11/22/11		

FOR MOUNTING ON CURVED SURFACE



UNLESS OTHERWISE SPECIFIED		EMCO COMPONENTS, INC.		32B138004
SURFACES		TOLERANCES		CONT. ON SH. 2
✓	2 PL. DEC	±	3 PL. DEC	SH 1
	±		ANGLES	
	±		DEG	
TITLE				
OUTLINE (BREAKER W/BACKET)				
FIRST MADE FOR CPO T13 & T14 BKR W/BACKET (ROUND TANK)				

FO1

A2-7

11/11/11

The information contained on this document is proprietary to Emco Components Inc. and may not be used for any other purpose than those expressly authorized by ECI.

REVISIONS		APPROVAL		PRINTS TO	
1	Nicholas Adams 01/28/2010 Update Sheet 1 Dim. ECN B525				
2	Nicholas Adams 11/22/11 Remove #Phase column, add SL Bulb Column on Sh. 2 ECN B700				
MADE BY: Nicholas Adams 9/29/06		APPROVAL		32B138004	
ISSUED BY: Nicholas Adams 11/22/11				CONT. ON SH. 2	
				SH 1	
				ECI-BTL	

OUTLINE: BREAKER ON A BRACKET ASSEMBLY

Single Phase		FIRST MADE FOR		T13, T14 BKR W/BRACKET (CURVED SURFACE)		
CATALOG NO.	TRIP TEMP	BREAKER LIGHT SWITCH	SIGNAL LIGHT BULB	AMP RANGE	BREAKER	HANDLE TYPE
7561ZQ0199	130°	YES	NO	313-417	2501K064G07	ELP
7561ZQ0399	165°	YES	YES	313-417	2501K064G07	ELP
7561ZQ0499	172°	YES	YES	313-417	2501K064G07	ELP
7561ZQ0599	110°	YES	YES	694	2501K065G02	ELP
7561ZQ0699	172°	NO	NO	313-417	2501K064G08	ELP
7561ZQ0799	165°	NO	NO	313-417	2501K064G08	ELP
7561ZQ0899	110°	YES	YES	313-417	2501K064G07	ELP
7561ZQ1799	130°	YES	YES	313-417	2501K064G11	ELP
7561ZQ2299	120°	YES	YES	313-417	2501K064G11	ELP
7561ZQ3099	140°	YES	YES	694	2501K065G02	ELP
7561ZQ3299	130°	YES	NO	313-417	2501K064G07	EPAD
7561ZQ3399	140°	YES	NO	313-417	2501K064G07	EPAD
7561ZQ4099	140°	NO	NO	694	2501K064G12	EPAD

OPERATING HANDLE LEGEND
ELP - Emergency Long Pole
EPAD - Emergency Pad

REVISION							
1) Update sh1 to correct dim. ECN B525	2) Remove # Phase column, add SL Bulb Column ECN B700						
MADE BY:	N. Adams 9/29/06	APPROVAL	ECI	DRAWING NO.			
ISSUED BY:	N. Adams 11/22/11			3 2B138004			