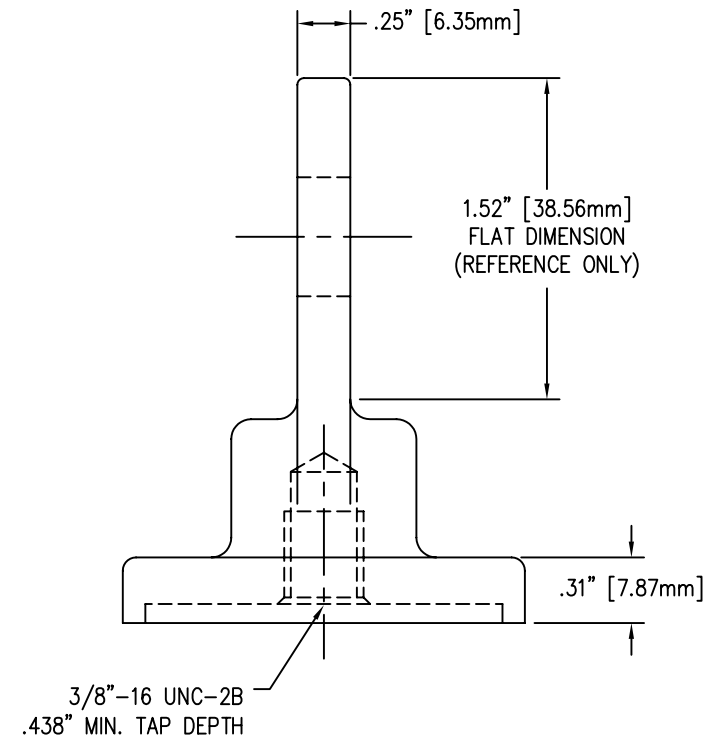
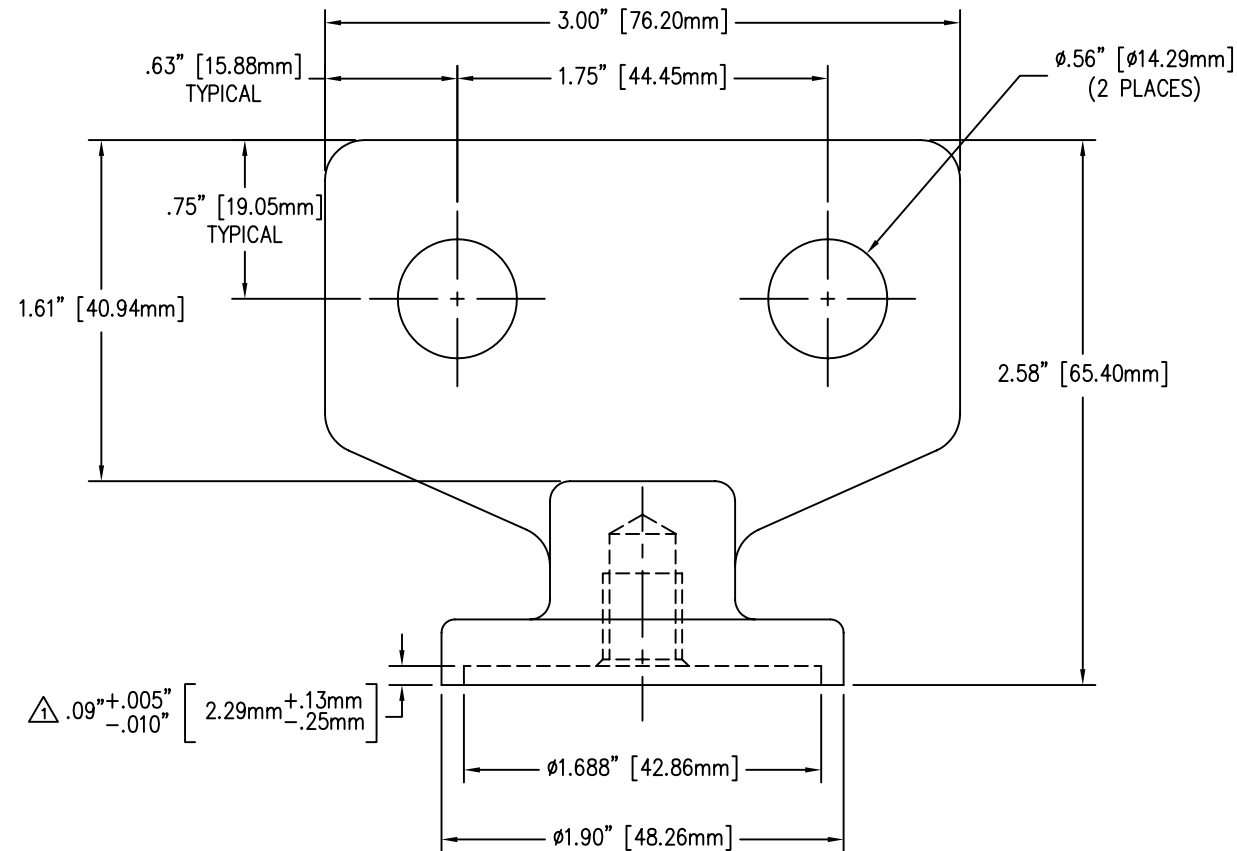


| REVISIONS | | | | | |
|-----------|---------|----------|----------------|-----|-------|
| NO. | DATE | ECN # | REMARKS | BY | APPD. |
| △ | 5-16-06 | HJ06-049 | TOL. WAS ±.010 | PWD | JM |



| | | | | | |
|---------------------------------|----------------|-----------------|--|--|--------------------------|
| TOLERANCES (EXCEPT AS NOTED) | | | | H-J ENTERPRISES, INC. 3010 HIGH RIDGE BLVD. HIGH RIDGE, MO. 63049 USA PHONE 1-636-677-3421 FAX 1-636-376-1915 | |
| DECIMAL | ± .032" / .8mm | | | TERMINAL BODY H.V. CAP | |
| FRACTIONAL | ± | | | MATERIAL CDA - 84400 TIN PLATED | |
| ANGULAR | ± 2° | | | CHK'D DATE 6-28-05 | APP'D SCALE N.T.S. |
| | | DRAWN BY CJT | | | |