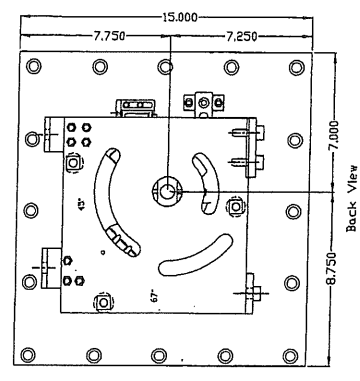
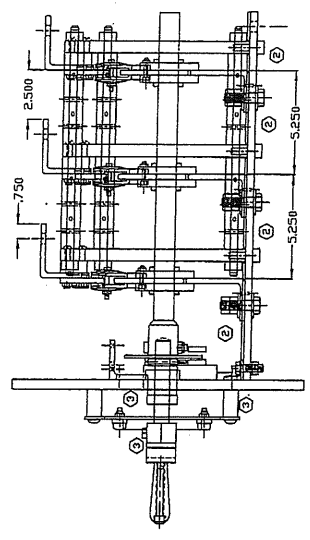
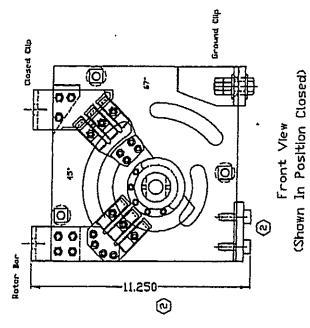
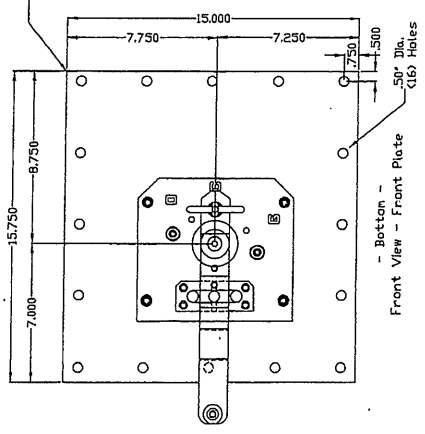
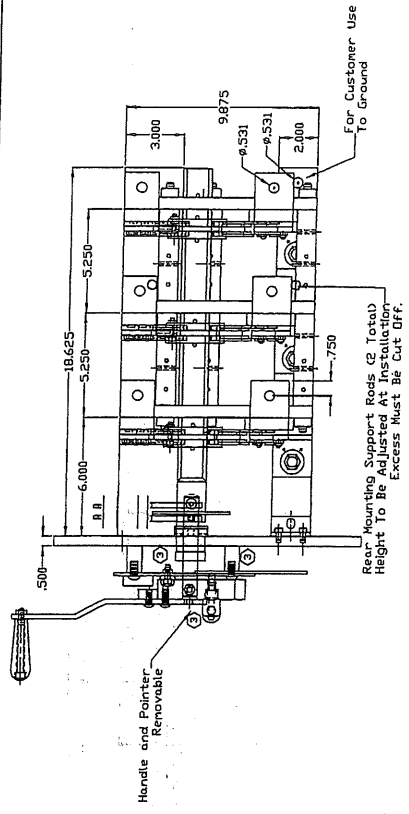
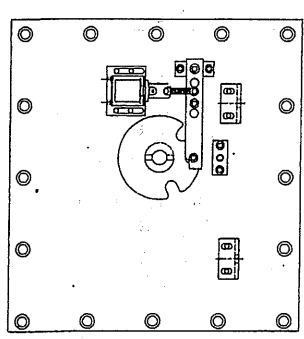


Rev.	Description	Date
1	shear cut	04/25/13
2	allthread cut flush with nuts	08/11/14
3	Changed 3pc design shaft to a single piece design. shear cut back spacers	12/23/2016



THIS PRINT IS THE PROPERTY OF THE SPECIALTY SWITCH COMPANY. IT IS TO BE RETURNED TO THE COMPANY IMMEDIATELY UPON COMPLETION OF THE WORK FOR WHICH IT WAS ISSUED. IT IS NOT TO BE REPRODUCED OR COPIED IN ANY MANNER WITHOUT THE WRITTEN PERMISSION OF THE SPECIALTY SWITCH COMPANY.

THE Specialty Switch Company

Replaces Dwg. 50B980013-1SS

DATE:	REV. 04/25/13	DWN.	TITLE: Network Switch - Open, Closed, Ground
02/04/12	08/11/14	R.B.	200 Amp., 3 Position, 3 Deck
	12/23/16	APP.	18 KV, 125 KV BIL - For Use In Oil

52B02-337-SS-SP-125

SS = (1) Stainless Steel Plate, SP = Shear Pin, 125 = 125 Volts