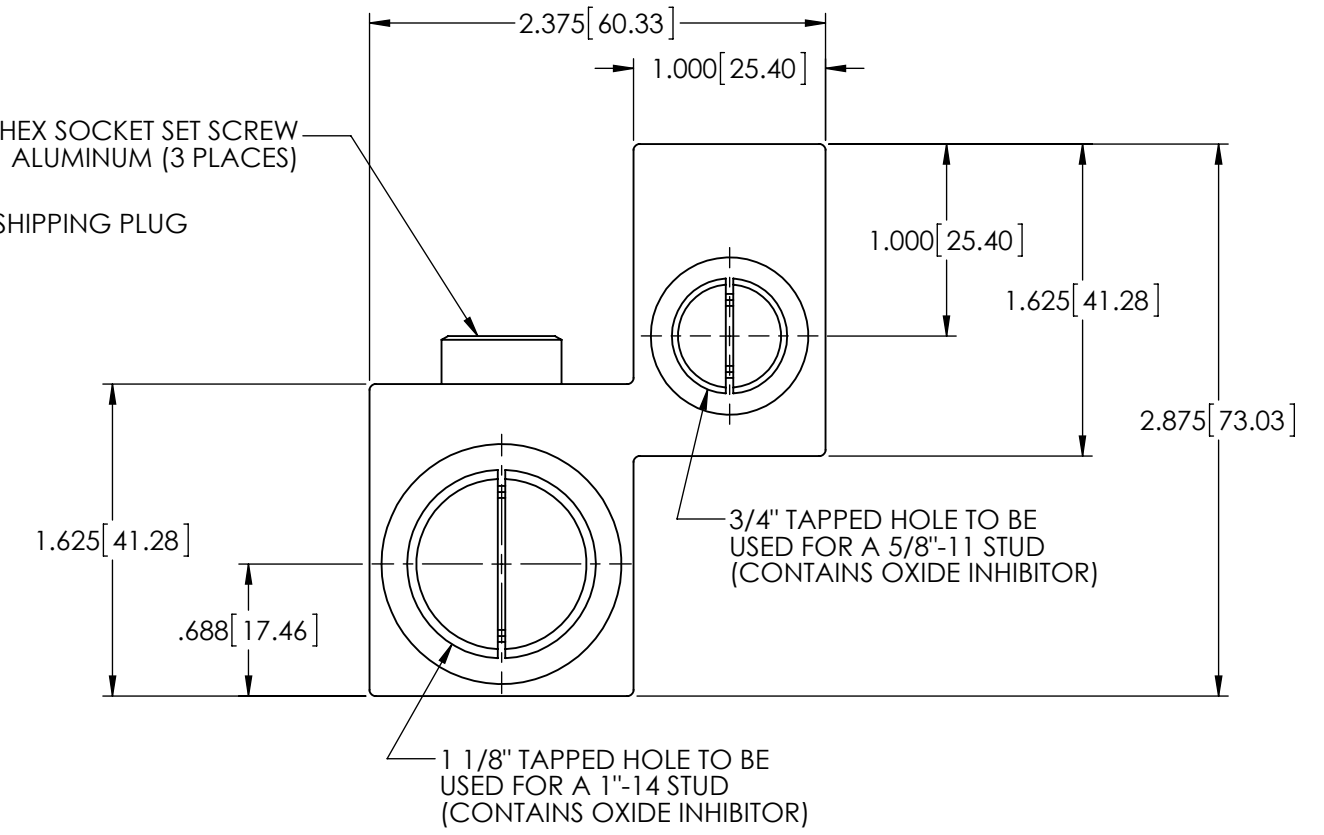
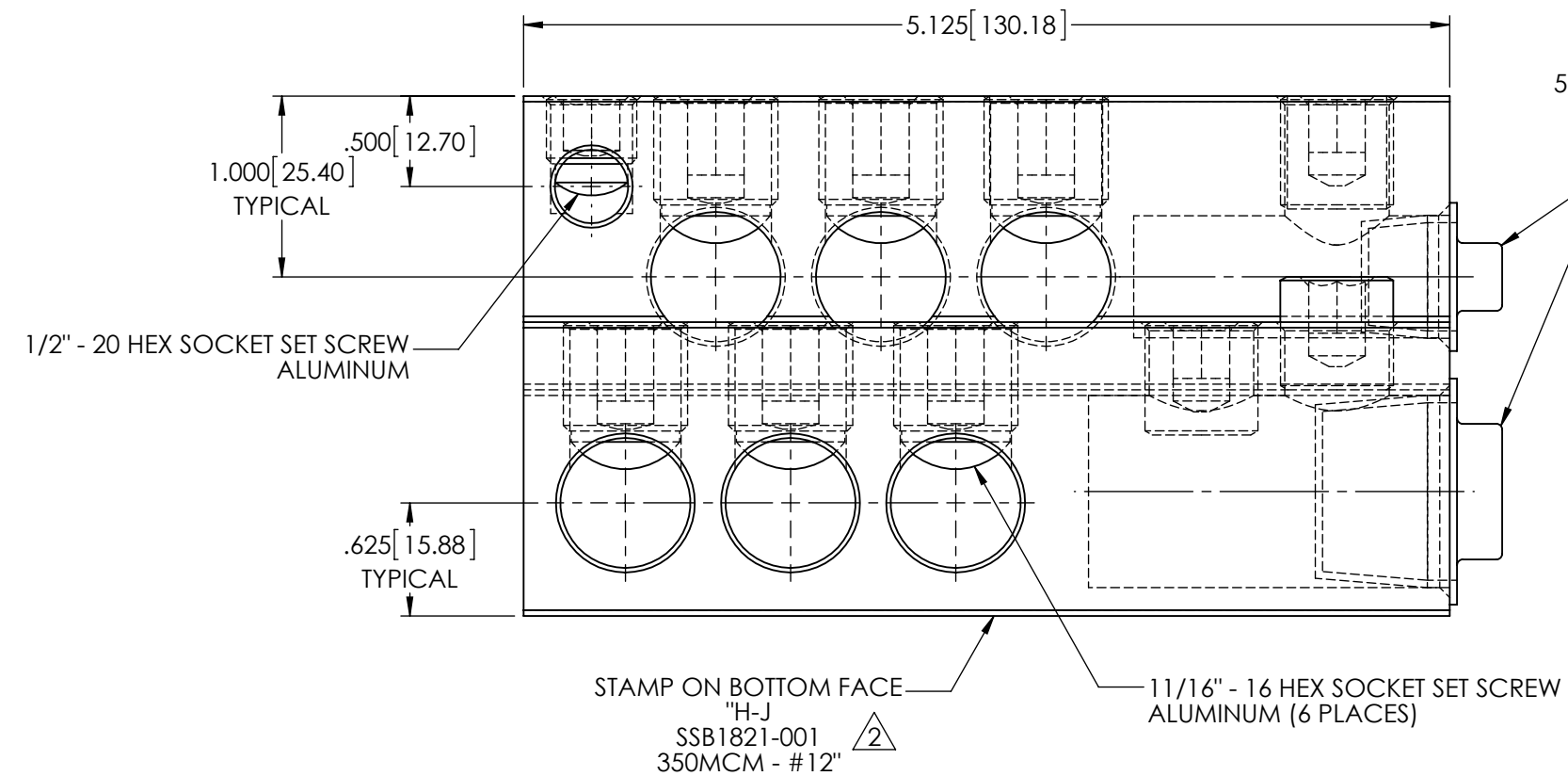
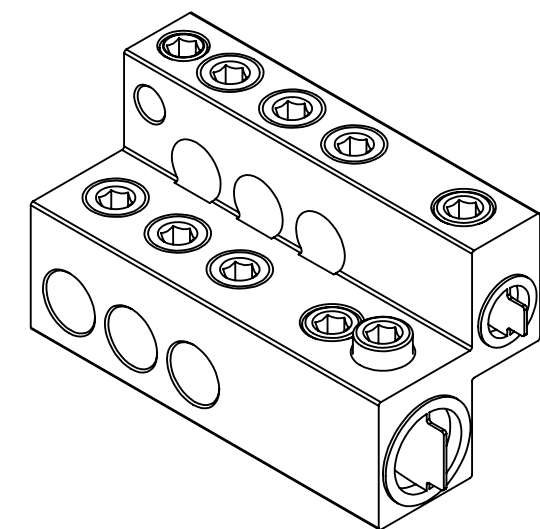
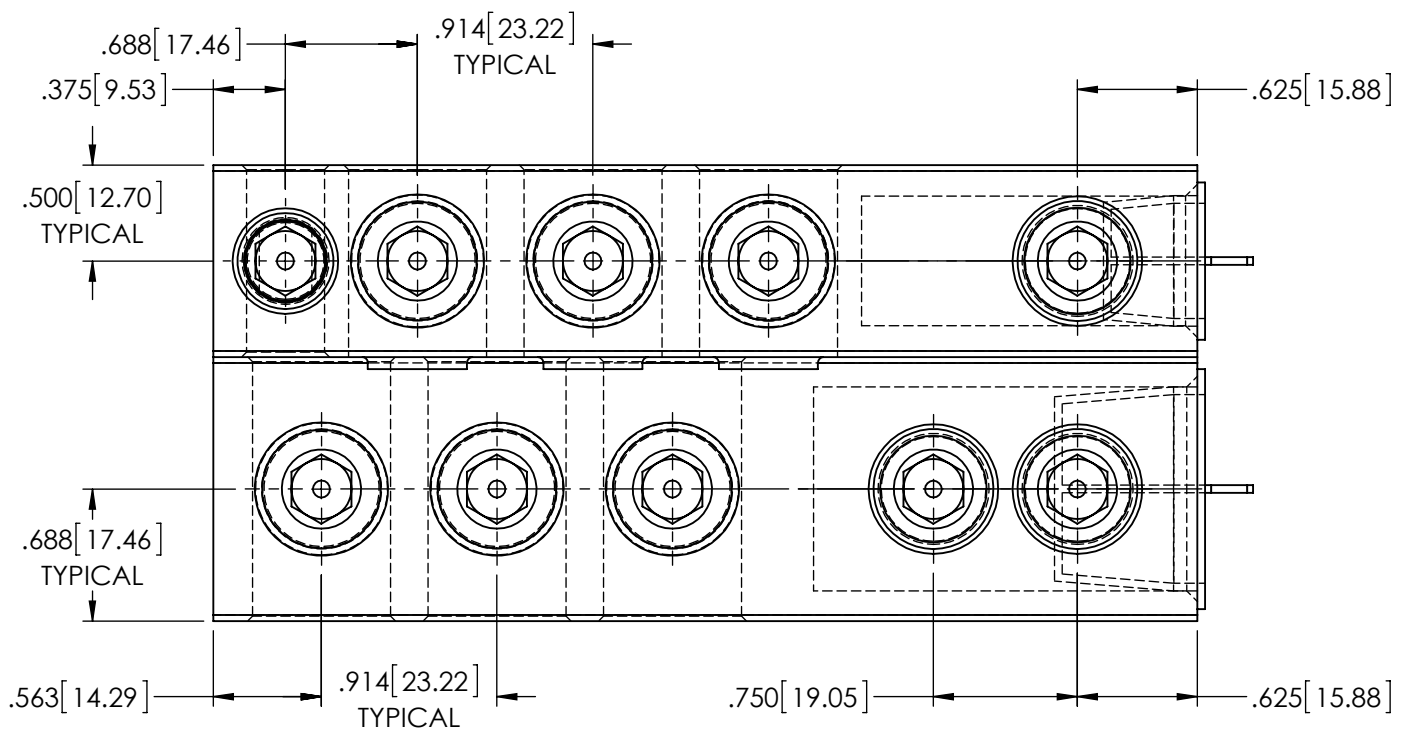


REVISIONS					
REV.	DATE	ECN #	DESCRIPTION	BY	APPROVED
1	8/21/2013		FORMERLY ASXXXX-102	CLS	CJT
2	9/25/2013	PQII1308004	WAS AS1821-001.	BBS	BB



- NOTES:
 1. ALL DIMENSIONS ARE REFERENCE ONLY UNLESS OTHERWISE SPECIFIED.
 2. CONDUCTOR RANGE: 350 MCM - #12.
 3. EACH CONDUCTOR HOLE CONTAINS OXIDE INHIBITOR.
 4. MEETS ANSI C119.4 CLASS A SPECIFICATIONS.

PROPRIETARY AND CONFIDENTIAL
 THE INFORMATION CONTAINED IN THIS DRAWING IS THE SOLE PROPERTY OF H-J ENTERPRISES, INC. ANY REPRODUCTION IN PART OR AS A WHOLE WITHOUT THE WRITTEN PERMISSION OF H-J ENTERPRISES, INC. IS PROHIBITED.

TOLERANCES (EXCEPT AS NOTED)	
DECIMAL	+/-
FRACTIONAL	+/-
ANGULAR	+/-



H-J ENTERPRISES, INC. 3010 HIGH RIDGE BLVD. HIGH RIDGE, MO. 63049 USA PHONE 1-636-677-3421 FAX 1-636-376-1915			
TRANSFORMER CONNECTOR ASSEMBLY			
MATERIAL (SEE DRAWING)			
CHK'D NK	APP'D 9/25/13	DRAWING NO. SSB0621-001 \triangle	
DRAWN BY JH	DATE 10/27/2009	SCALE N.T.S.	