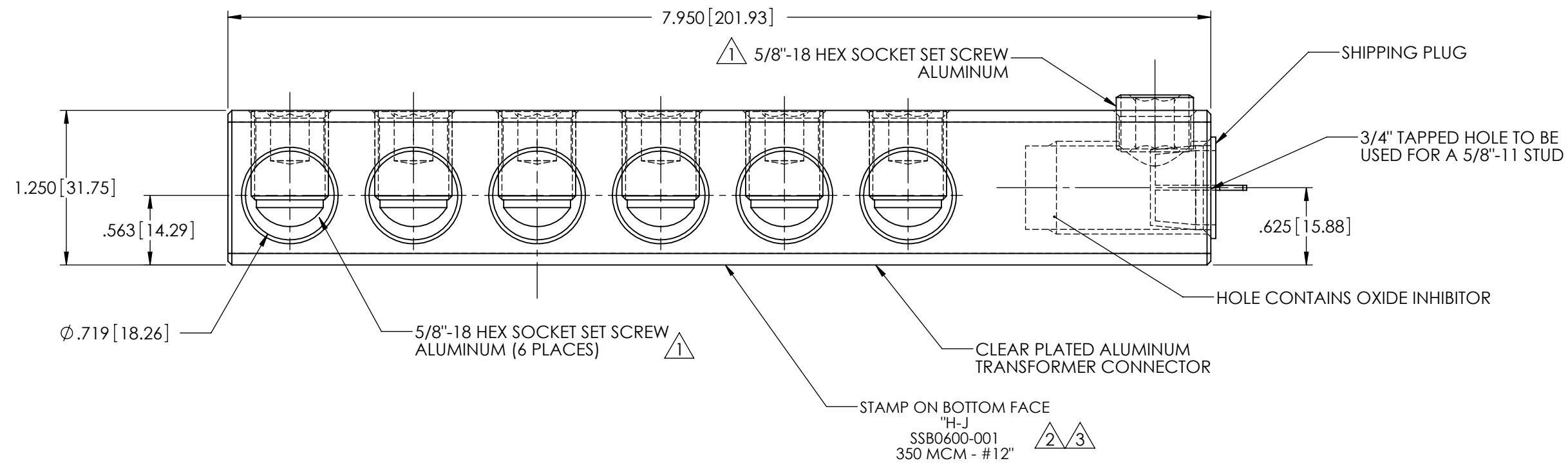
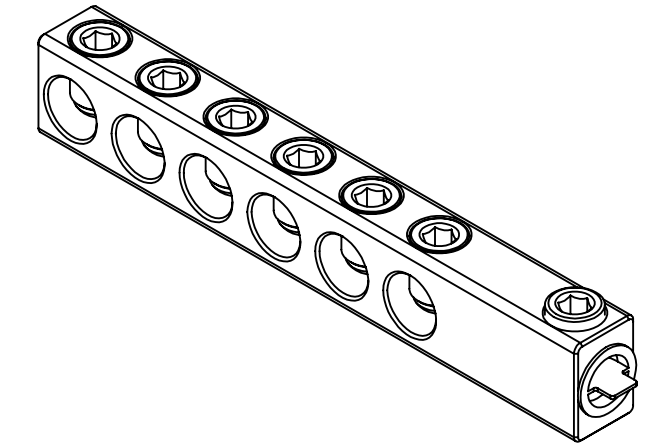
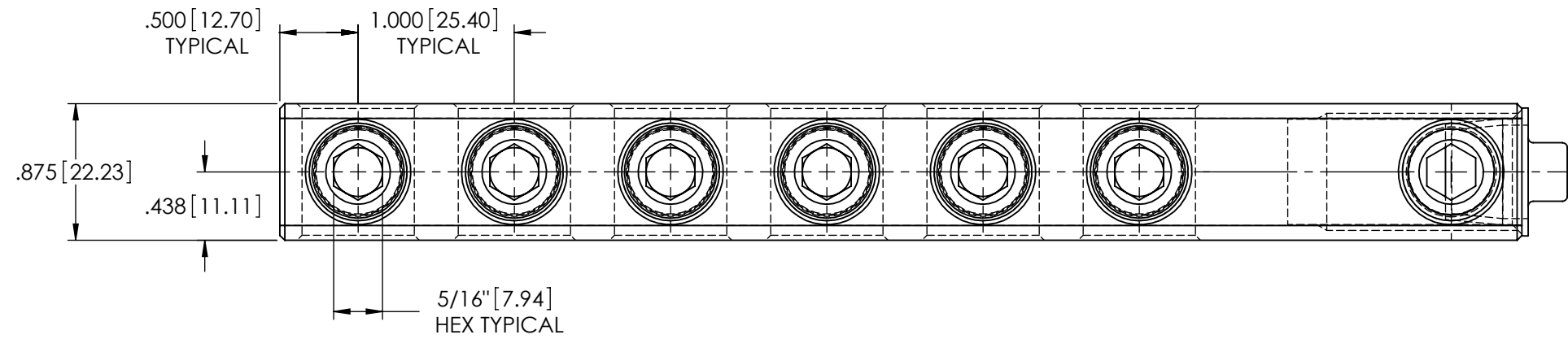


REVISIONS					
REV.	DATE	ECN #	DESCRIPTION	BY	APPROVED
1	12/19/2012	PQI# I1212004	REMOVED "ANODIZED" FROM SET SCREWS, WAS "PRELIMINARY DRAWING ASXXXX-110.	BS	PM
2	4/18/2013	HJ13-078	ADDED STAMP CALLOUT	CLS	AB
3	9/25/2013	PQI1212004	WAS AS1811-001.	BS	BB



- NOTES:
1. ALL DIMENSIONS ARE REFERENCE ONLY UNLESS OTHERWISE SPECIFIED.
 2. CONDUCTOR RANGE: 350 MCM - #12
 3. MEETS ANSI C119.4 CLASS A SPECIFICATIONS.
 4. EACH CONDUCTOR HOLE CONTAINS OXIDE INHIBITOR.

PROPRIETARY AND CONFIDENTIAL
 THE INFORMATION CONTAINED IN THIS DRAWING IS THE SOLE PROPERTY OF H-J ENTERPRISES, INC. ANY REPRODUCTION IN PART OR AS A WHOLE WITHOUT THE WRITTEN PERMISSION OF H-J ENTERPRISES, INC. IS PROHIBITED.

TOLERANCES (EXCEPT AS NOTED)	
DECIMAL	+/- .032"/.8mm
FRACTIONAL	+/-
ANGULAR	+/- 2 Degrees

QUALITY PRODUCTS

INTERNATIONAL REPUTATION

DRAWN BY JH DATE 12/14/2009

H - J ENTERPRISES, INC.
 3010 HIGH RIDGE BLVD. HIGH RIDGE, MO. 63049 USA
 PHONE 1-636-677-3421 FAX 1-636-376-1915

TRANSFORMER CONNECTOR ASSEMBLY

MATERIAL (SEE DRAWING)

CHK'D NK APP'D 9/25/13 DRAWING NO. SSB0600-001

SCALE N.T.S.