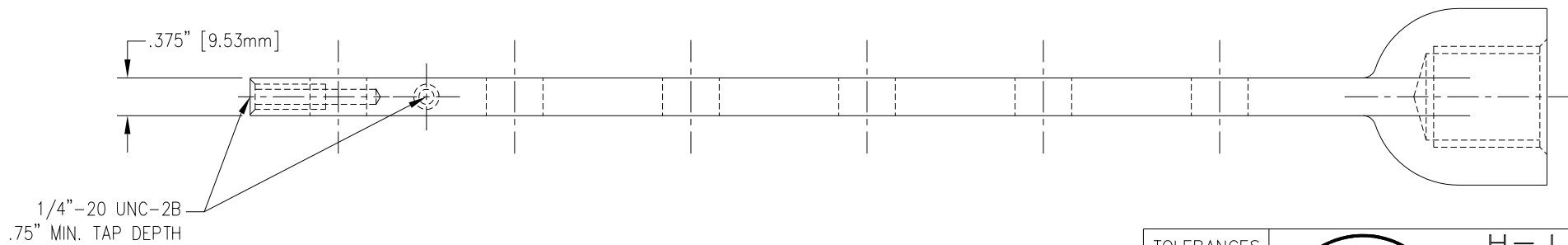
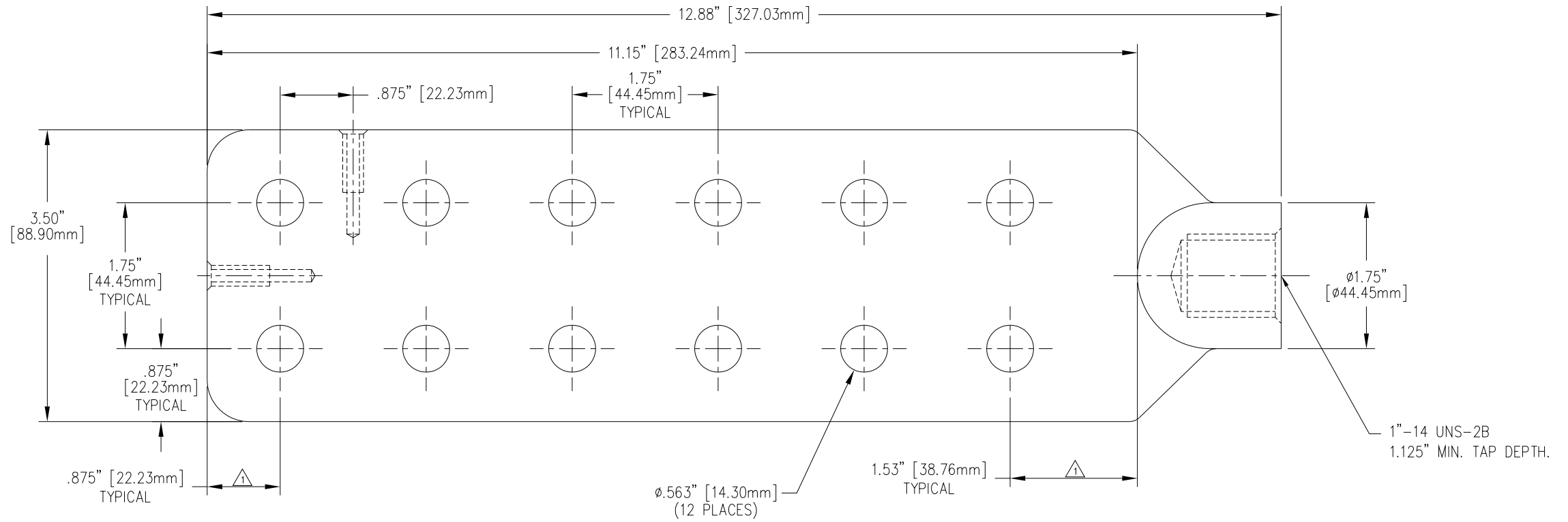



REVISIONS				
NO.	DATE	REMARKS	BY	APPD.
1	8-6-99	EDITED DIMENSIONS.	CJT	LHE



TOLERANCES (EXCEPT AS NOTED) DECIMAL \pm .032" / .8mm FRACTIONAL \pm ANGULAR \pm 2°		H-J ENTERPRISES, INC. 3010 HIGH RIDGE BLVD. HIGH RIDGE, MO. 63049 USA PHONE 1-636-677-3421 FAX 1-636-376-1915		
		SPADE TERMINAL		
		MATERIAL CDA 844 TIN PLATED	CHK'D APP'D	DRAWING NO. SP3086-003
DRAWN BY CJT	DATE 7-28-99	SCALE N.T.S.		