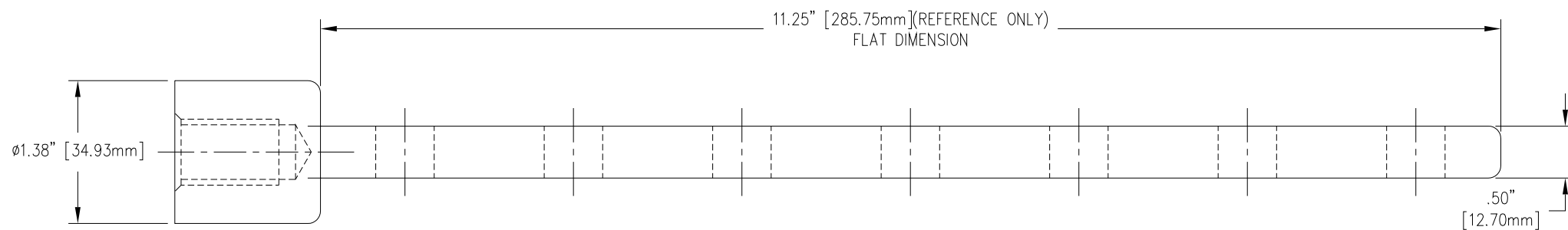
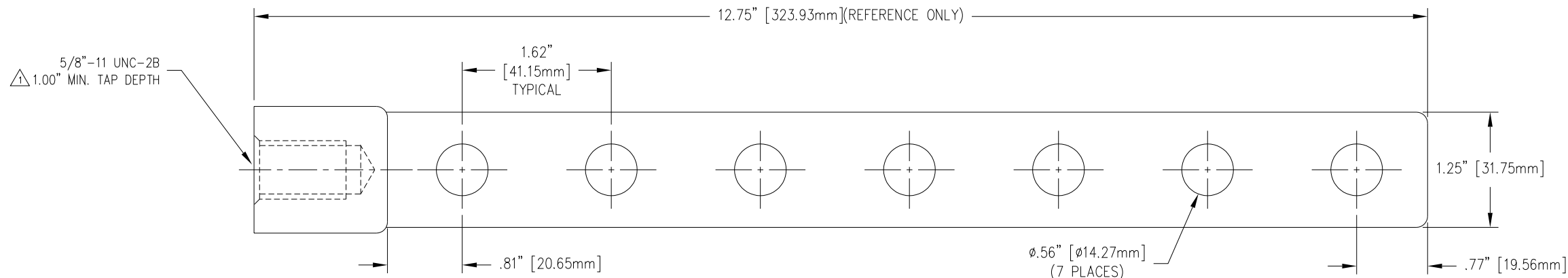


REVISIONS				
NO.	DATE	REMARKS	BY	APPD.
△	6-4-98	REMOVED INHIBITING COMPOUND	CJT	LHE



TOLERANCES (EXCEPT AS NOTED) DECIMAL ± .032" / .8mm FRACTIONAL ± ANGULAR ± 2°		H-J ENTERPRISES, INC. 3010 HIGH RIDGE BLVD. HIGH RIDGE, MO. 63049 USA PHONE 1-636-677-3421 FAX 1-636-376-1915		
		5/8"-11 7 HOLE INLINE SPADE		
		MATERIAL CDA 844 TIN PLATED		
		CHK'D DRAWN BY BTD	DATE 2-12-98	APP'D SCALE N.T.S.