

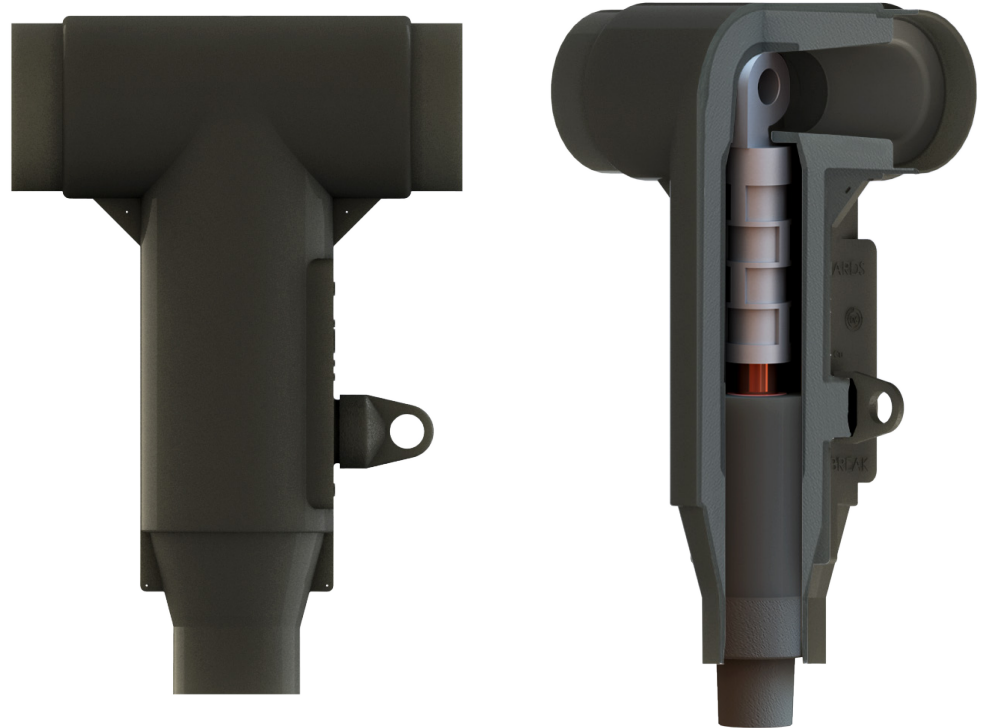
# 15/25kV Deadbreak Elbow

Product Data Sheet

The Richards 15/25kV Deadbreak Elbow is a medium voltage cable accessory used to terminate/splice cables and equipment rated up to 25kV Class.

Our Elbow is molded in the USA from EPDM compounds produced in-house by our polymer production division. The Deadbreak "T-body" is fully-shielded, submersible and available with or without a capacitive test point.

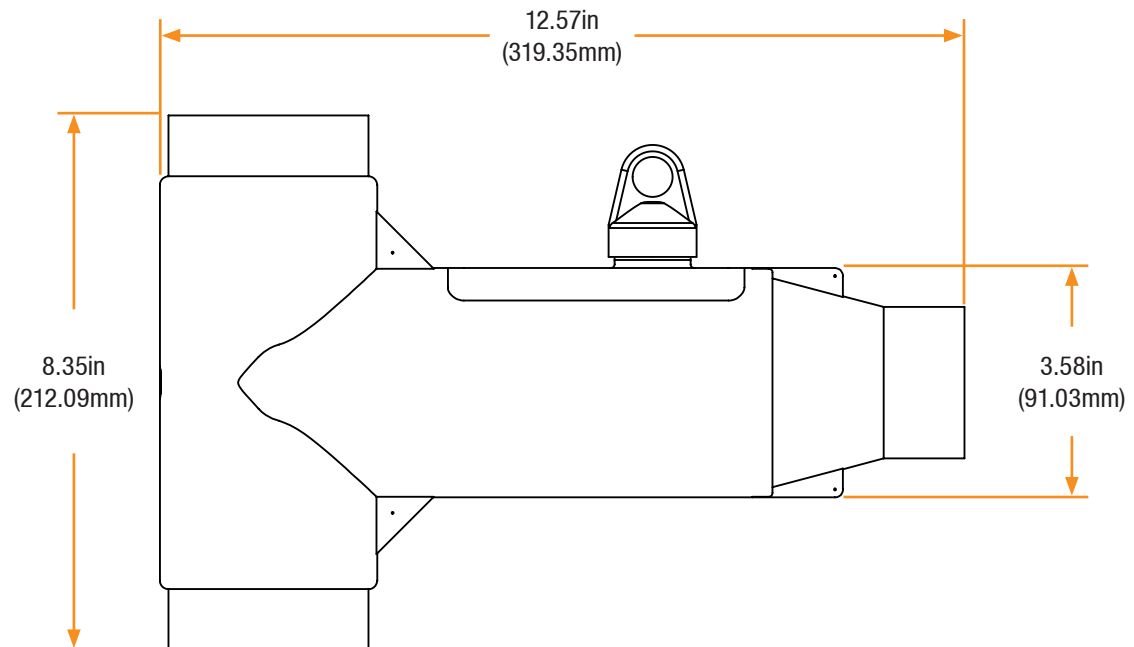
A variety of accessories are available for insulating, testing, grounding and paralleling circuits. The current-rating of the Deadbreak Elbow housing is determined by the metallic components utilized to make the connection. If all-copper components are used, the Deadbreak Elbow assembly has a 900A rating. Otherwise, the assembly is rated for 600A.



## Features

- 100% EPDM Composition
- Injection Molded & Peroxide-Cured
- Made in the USA
- Fully-Shielded/Deadfront
- Submersible
- Optional Capacitive Test Point

## Basic Dimensions



# 15/25kV Deadbreak Elbow

## Installation

15/25kV Deadbreak Elbow installation is covered by:  
**RP-II-62LCN**

## Related Products

### P625HIP-STUD

15/25kV Aluminum Threaded Stud

### P925HIP-STUD

15/25kV Copper Threaded Stud

### P6AL-X

Aluminum Compression Lug

### P9CU-X

Copper Compression Lug

### P6ALR-X

Aluminum Range Taking Lug

### P7ALCU-X

Copper-Top Compression Lug

### P625CA-W

15/25kV Cable Adapter

### P625HIP

15/25kV Aluminum Insulating Plug

### P925HIP

15/25kV Copper Insulating Plug

## Production Testing

IEEE requires a Partial Discharge test and choice between AC withstand and Impulse.

Richards runs 3/3 tests on **all** Medium Voltage products governed by IEEE 386. <sup>®</sup>

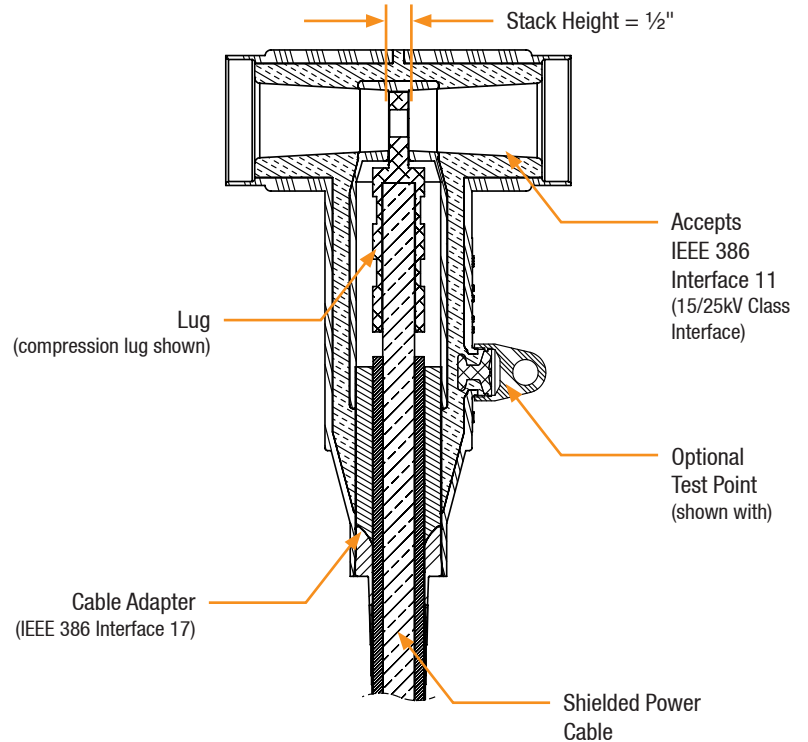
### 100% Routine Electrical Test:

- Partial Discharge
- AC Withstand
- Impulse Withstand

Richards Deadbreak Elbows are designed to allow for production testing at 200kV BIL. For more information see our 200kV BIL Product Data Sheets or contact the factory.

<sup>®</sup> Exceeds IEEE 386 requirement

## Detail View



## Product Ratings

### Voltage Ratings

Maximum Voltage Rating – (phase to ground)	15.2kV
Corona Voltage Level – (partial discharge extinction voltage)	22kV <sup>®</sup>
AC Withstand – (1 minute)	42kV <sup>®</sup>
Impulse-Withstand Voltage – (BIL)	162kV BIL <sup>®</sup>

### Continuous Current Ratings

Aluminum	600A
Copper	900A

### Short-Time Current Ratings

Aluminum	40kA, 10c. and 10kA, 3s. <sup>®</sup>
Copper	40kA, 10c. and 10kA, 3s.

The 15/25kV Deadbreak Elbow is qualified to the following industry standards:

- IEEE Std 386: For Separable Insulated Connector Systems
- ANSI C119.4: For Electric Connectors
- IEEE Std 592: For Exposed Semiconducting Shields