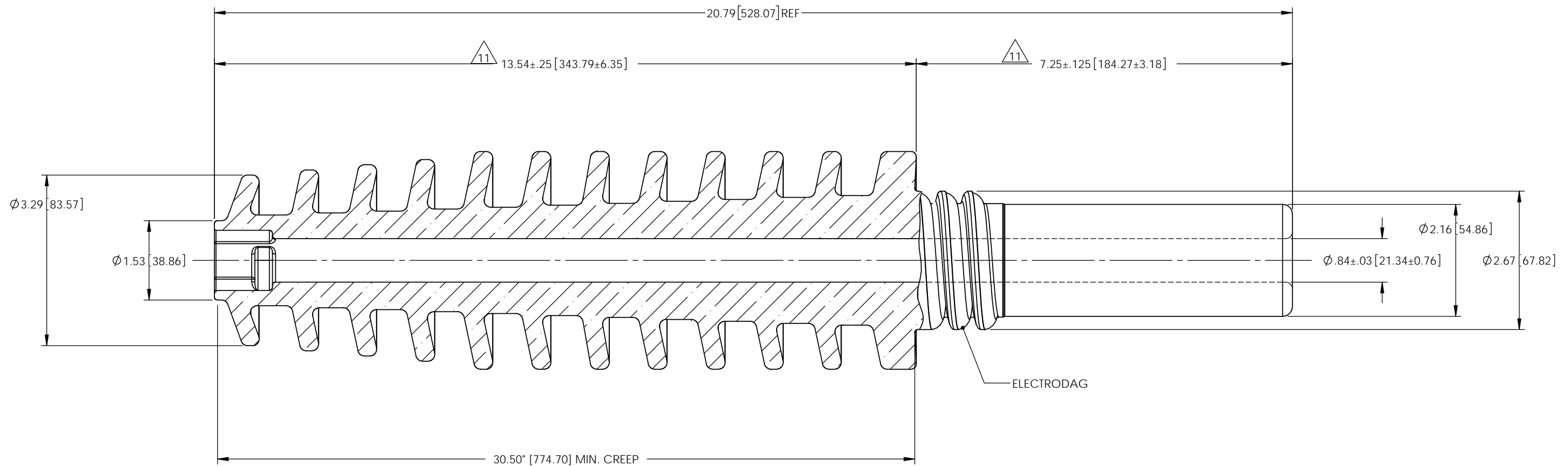


REVISIONS					
REV	DATE	ECN #	DESCRIPTION	BY	APPD
10	1/23/2004	HJ04-016	REDRAWN	CJT	SP
11	12/22/2020	HJ20-305	ADDED TOLERANCES; SW REDRAW	MAD	CJT



PORCELAIN NOTES:

1. GRAY GLAZE MUNSELL 5BG 7.0/0.4
2. TOLERANCE $\pm 3\%$ WITH NOTHING LESS THAN $\pm .03$, UNLESS OTHERWISE NOTED ON DRAWING.

PROPRIETARY AND CONFIDENTIAL
 THE INFORMATION CONTAINED IN THIS DRAWING IS THE SOLE PROPERTY OF H-J INTERNATIONAL, INC. ANY REPRODUCTION IN PART OR AS A WHOLE WITHOUT THE WRITTEN PERMISSION OF H-J INTERNATIONAL, INC. IS PROHIBITED.

TOLERANCES (EXCEPT AS NOTED)

DECIMAL	+/-
FRACTIONAL	+/-
ANGULAR	+/- 2 Degrees



H - J INTERNATIONAL, INC.
 3010 HIGH RIDGE BLVD. HIGH RIDGE, MO. 63049 USA
 PHONE 1-636-677-3421 FAX 1-636-376-1915

**25 kV H.V. BUSHING
 WITH CONDUCTIVE PAINT**

MATERIAL WET PROCESS ELECTRICAL PORCELAIN

CHK'D APP'D DRAWING NO.

DRAWN BY TLH

DATE 3-07-96

SCALE N.T.S.

P00028-001