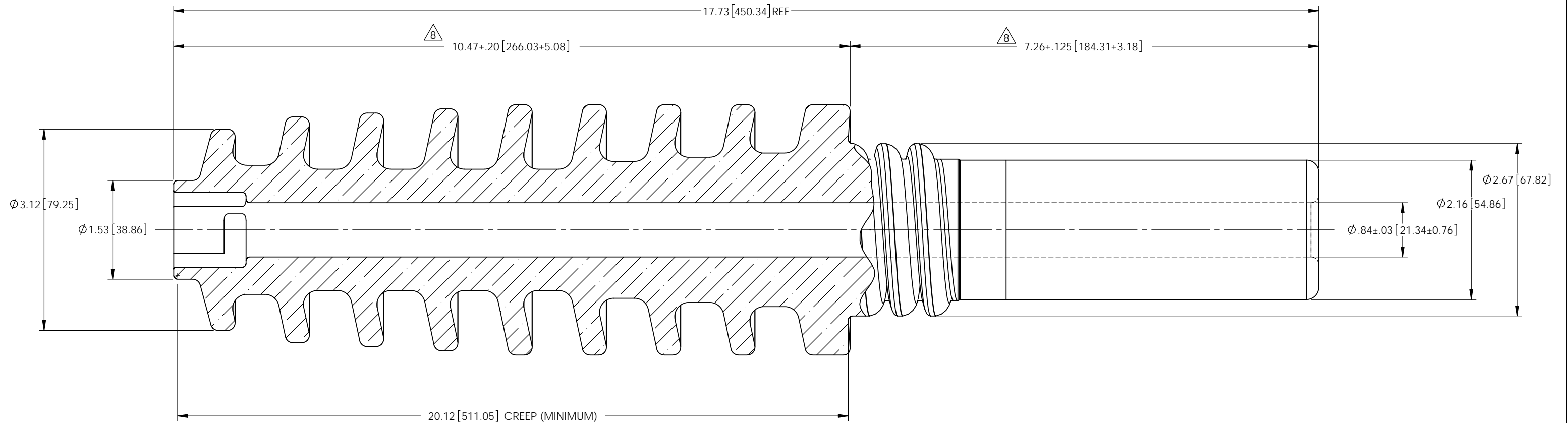


REVISIONS					
REV	DATE	ECN #	DESCRIPTION	BY	APPD
7	2/11/2004	HJ04-016	REDRAWN	JRM	SP
8	12/22/2020	HJ20-305	ADDED TOLERANCES, SW REDRAW	MAD	CJT



PORCELAIN NOTES:
 1. GREY GLAZE MUNSELL 5BG 7.0/0.4
 2. TOLERANCE ±3% WITH NOTHING LESS THAN ±.03, UNLESS OTHERWISE NOTED ON DRAWING.

PROPRIETARY AND CONFIDENTIAL
 THE INFORMATION CONTAINED IN THIS DRAWING IS THE SOLE PROPERTY OF H-J INTERNATIONAL, INC. ANY REPRODUCTION IN PART OR AS A WHOLE WITHOUT THE WRITTEN PERMISSION OF H-J INTERNATIONAL, INC. IS PROHIBITED.

TOLERANCES (EXCEPT AS NOTED)	
DECIMAL	+/-
FRACTIONAL	+/-
ANGULAR	+/- 2 Degrees



DRAWN BY TLH

DATE 3/26/1996

SCALE N.T.S.

H-J INTERNATIONAL, INC.
 3010 HIGH RIDGE BLVD. HIGH RIDGE, MO. 63049 USA
 PHONE 1-636-677-3421 FAX 1-636-376-1915

25kV H.V. BUSHING WITH CONDUCTIVE DAG

MATERIAL WET PROCESS ELECTRICAL PORCELAIN

CHK'D

APPD

DRAWING NO.

P00005-001