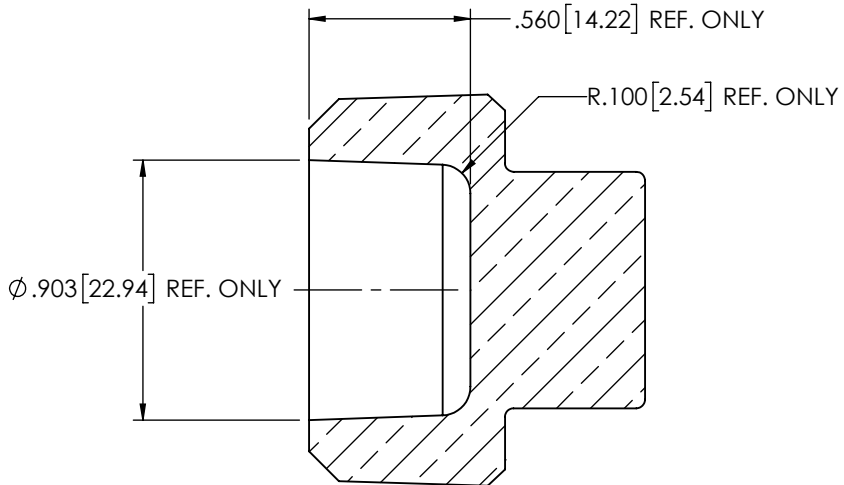
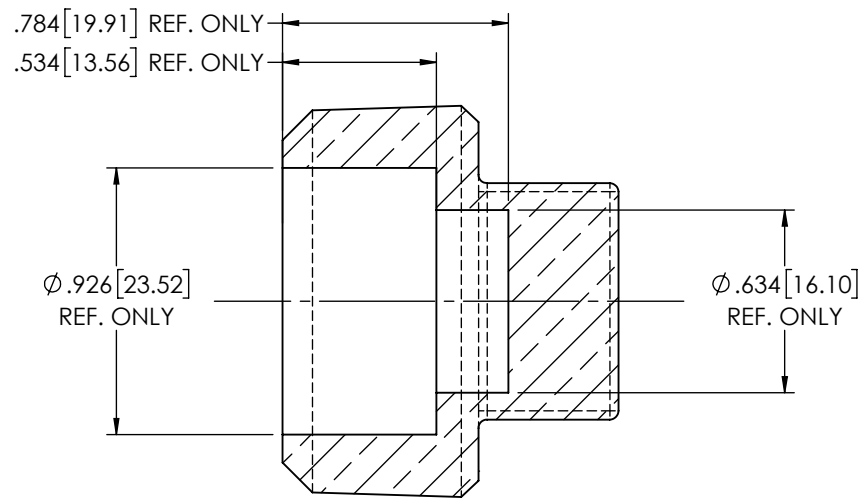
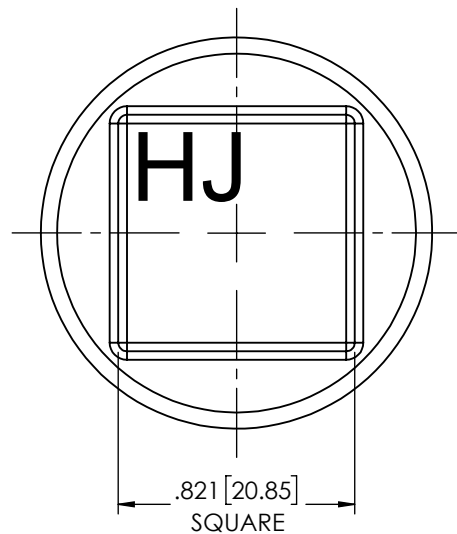
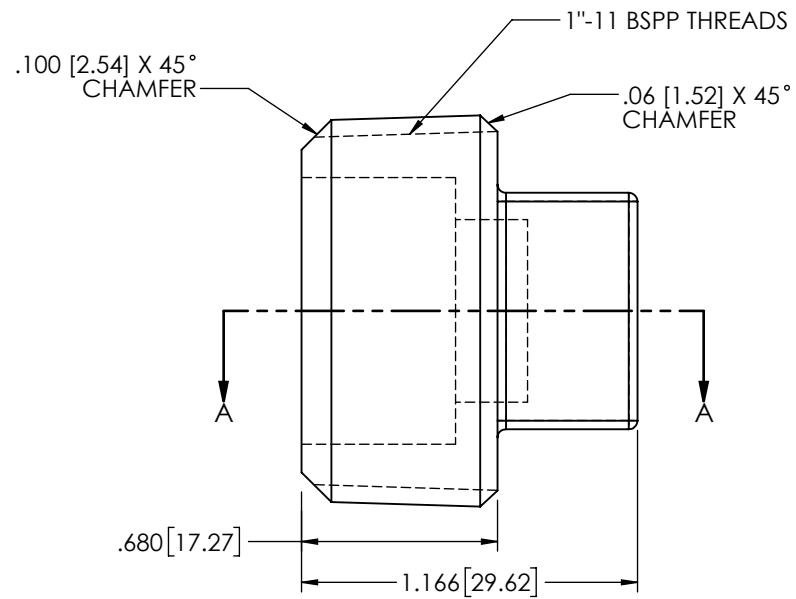


REVISIONS					
REV.	DATE	ECN #	DESCRIPTION	BY	APPROVED



SECTION A-A

ALTERNATE INNER CORE

- NOTE:
1. ALL FILLETS AND ROUNDS R.03 [.76], UNLESS OTHERWISE NOTED.
 2. EITHER INNER CORE IS ACCEPTABLE AS IT IS A NON-CRITICAL FEATURE.
 3. PACKAGED 120 PER BOX.

PROPRIETARY AND CONFIDENTIAL
 THE INFORMATION CONTAINED IN THIS DRAWING IS THE SOLE PROPERTY OF H-J INTERNATIONAL, INC. ANY REPRODUCTION IN PART OR AS A WHOLE WITHOUT THE WRITTEN PERMISSION OF H-J INTERNATIONAL, INC. IS PROHIBITED.

TOLERANCES (EXCEPT AS NOTED)	
DECIMAL	+/- .032"/.8mm
FRACTIONAL	+/-
ANGULAR	+/- 2 Degrees



H - J INTERNATIONAL, INC.
 3010 HIGH RIDGE BLVD. HIGH RIDGE, MO. 63049 USA
 PHONE 1-636-677-3421 FAX 1-636-376-1915

1"-11 BSPP PLUG

MATERIAL C84400, HPb58-3, HPb59-1 OR EQUIVALENT

CHK'D	APP'D	DRAWING NO.
		PG6031-007

DRAWN BY CJT DATE 6-21-2018

SCALE N.T.S.