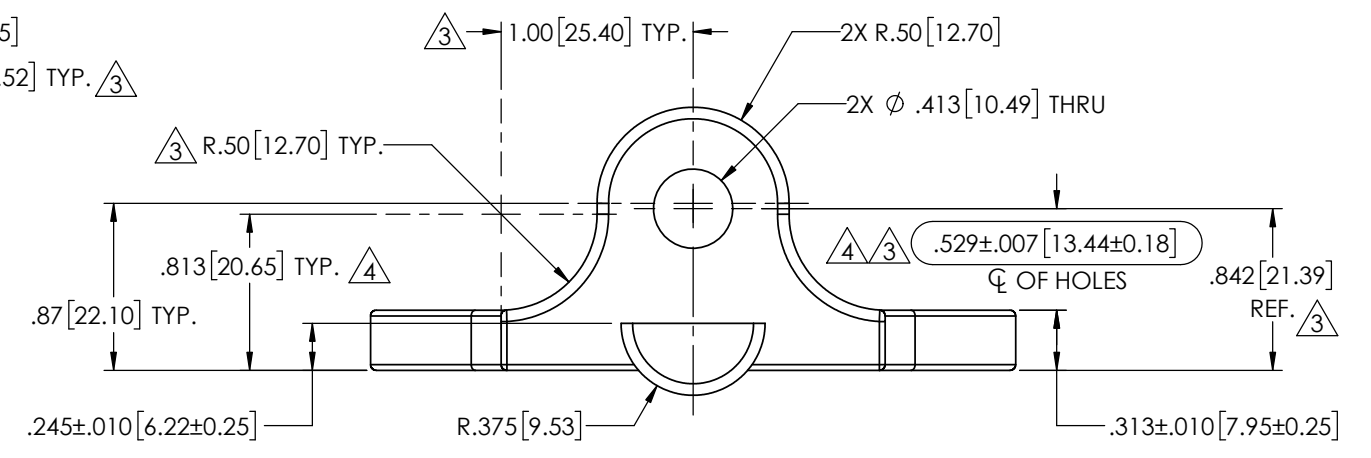
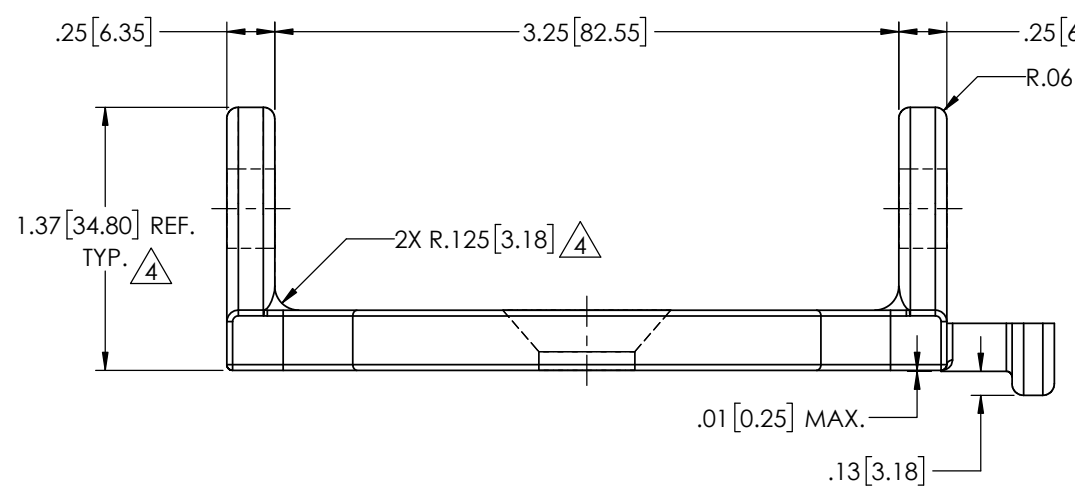
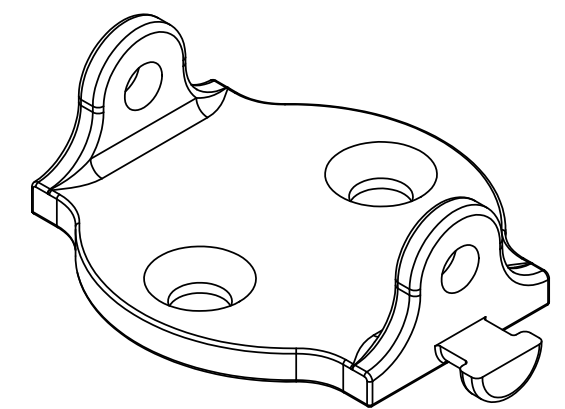
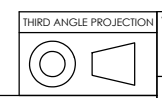


REVISIONS					
REV.	DATE	ECN #	DESCRIPTION	BY	APPROVED
1	7/1/2015	PQI# 11753	CHG'D PART #, WAS "11753LN01"	TJF	BLB
2	7/13/2015	PQI# 11753	CHG'D CUSTOMER PART #, WAS "710994"	TJF	BLB
3	2/25/2016	HJ16-029	ADDED DIMS & NOTE, ϕ .413 HOLE ϕ WAS .87 TO BASE BTM, NOW .537-.532 TO TOP	CLS	PM
4	3/22/2018	HJ18-066	UPDATE DIMS & TOLS PER CUSTOMER DWG	CLS	BLB



- NOTES:
- 1. ALL RADII ARE R.03[.76] UNLESS OTHERWISE NOTED.
 - 2. REMOVE ALL BURRS & SHARP EDGES.
 - 3. CUSTOMER PART #: 330667-001

PROPRIETARY AND CONFIDENTIAL
 THE INFORMATION CONTAINED IN THIS DRAWING IS THE SOLE PROPERTY OF H-J INTERNATIONAL, INC. ANY REPRODUCTION IN PART OR AS A WHOLE WITHOUT THE WRITTEN PERMISSION OF H-J INTERNATIONAL, INC. IS PROHIBITED.



TOLERANCES (EXCEPT AS NOTED)	
DECIMAL	\pm .032"/.8mm
FRACTIONAL	\pm
ANGULAR	\pm 2 Degrees



H - J INTERNATIONAL, INC.
 3010 HIGH RIDGE BLVD. HIGH RIDGE, MO. 63049 USA
 PHONE 1-636-677-3421 FAX 1-636-376-1915

BASE, FUSE CLIP			
MATERIAL	HPb59-1 BRASS		
CHK'D	CJT	APP'D 07/01/15	DRAWING NO.
		SCALE N.T.S.	MH0328-001

DRAWN BY TJF DATE 07/01/2015