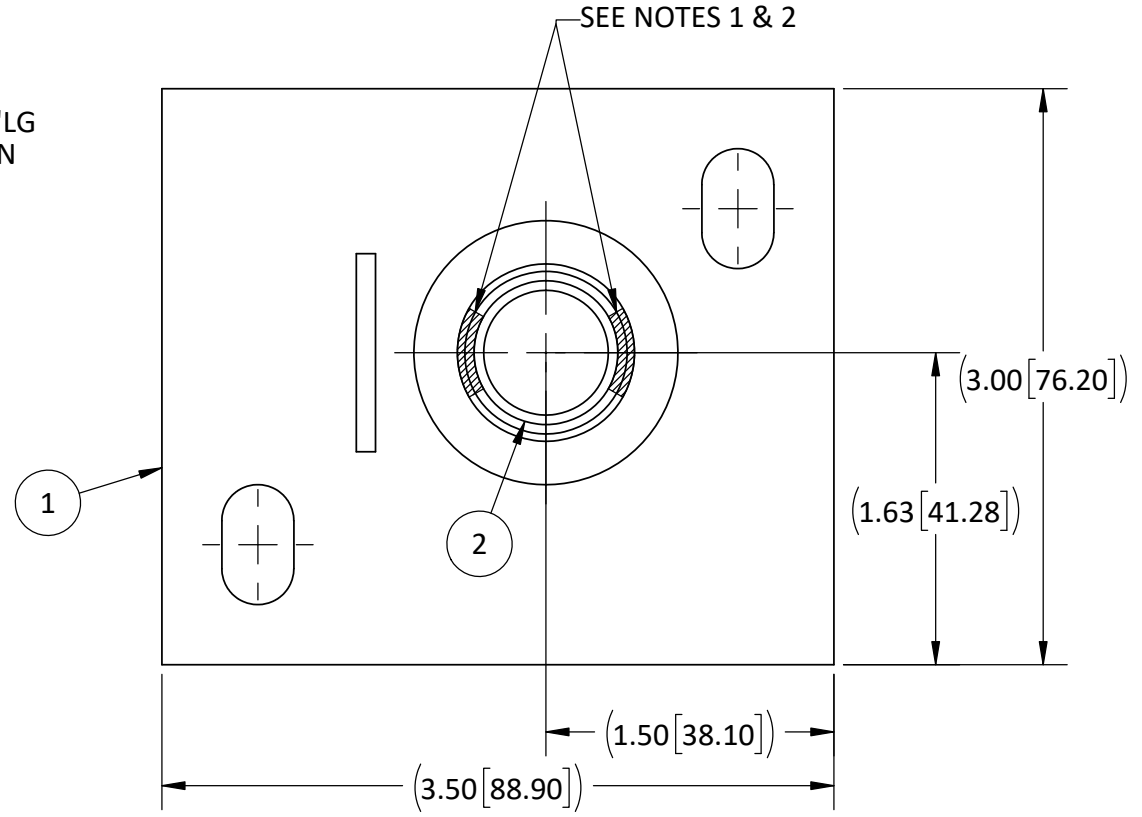
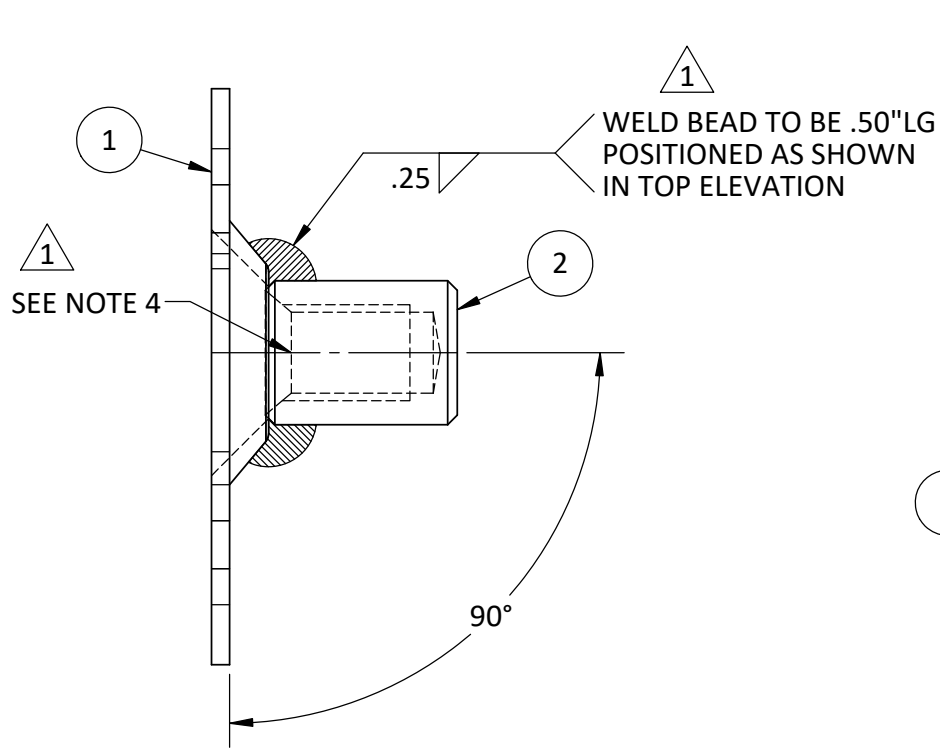


| ITEM # | PART # | DESCRIPTION | MATERIAL | QTY. |
|--------|----------------|-----------------|----------------------------|------|
| 1 | MH0199-002 PLR | PAD LOCK RECPT. | 300 SERIES STAINLESS STEEL | 1 |
| 2 | MH0199-001 LBB | LATCH-BOLT BOSS | 300 SERIES STAINLESS STEEL | 1 |

| REVISIONS | | | | | |
|-----------|----------|-----------|--|-----|-------|
| REV. | DATE | ECN # | DESCRIPTION | BY | APP'D |
| 1 | 7/6/2017 | PQI#13809 | ADDED WELD SYMBOL. EDITED NOTE 1. ADDED NOTE 4 | TJF | BLB |



1

- NOTE:
- SOLID WELD ITEM (2) TO ITEM (1) (.25 WELD X .50" LG, 2 PLCS)
 - FACE OF ITEM (1) MUST BE FLAT AFTER WELDING (2) AND ITEM (1)
 - FINISH: BLACK POWDER COAT - BOTH FRONT & BACK COVERAGE
 - THREADS TO BE FREE OF PAINT
 - COMPLIANCE WITH C57.12.28.5.5.1, CROSS HATCH ADHESION TEST

| | | | | | |
|---|---|-----------------|--|-----------------|--------------------------------|
| | TOLERANCES (EXCEPT AS NOTED) ALL DIMENSIONS ARE IN: in/mm | | H - J INTERNATIONAL, INC. 3010 HIGH RIDGE BLVD. HIGH RIDGE, MO. 63049 USA PHONE 1-636-677-3421 FAX 1-636-376-1915 | | |
| | DECIMAL $\pm .032" / .8\text{mm}$ | | PAD LOCK RECPT. ASSY | | |
| PROPRIETARY AND CONFIDENTIAL THE INFORMATION CONTAINED IN THIS DRAWING IS THE SOLE PROPERTY OF H-J ENTERPRISES, INC. ANY REPRODUCTION IN PART OR AS A WHOLE WITHOUT THE WRITTEN PERMISSION OF H-J ENTERPRISES, INC. IS PROHIBITED. | FRACTIONAL \pm | DRAWN BY TJF | DATE 2/21/2017 | SCALE N.T.S. | DRAWING NO. MH0199-002 PLRA |
| ANGULAR $\pm 2^\circ$ | MATERIAL SEE DRAWING | | | | |
| REMOVE ALL BURRS & SHARP EDGES | | | | | |