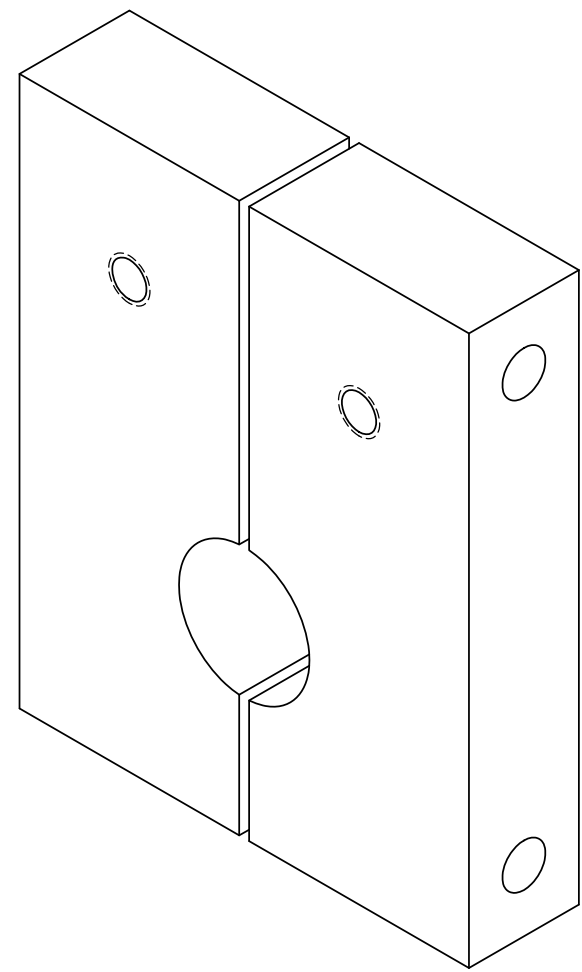
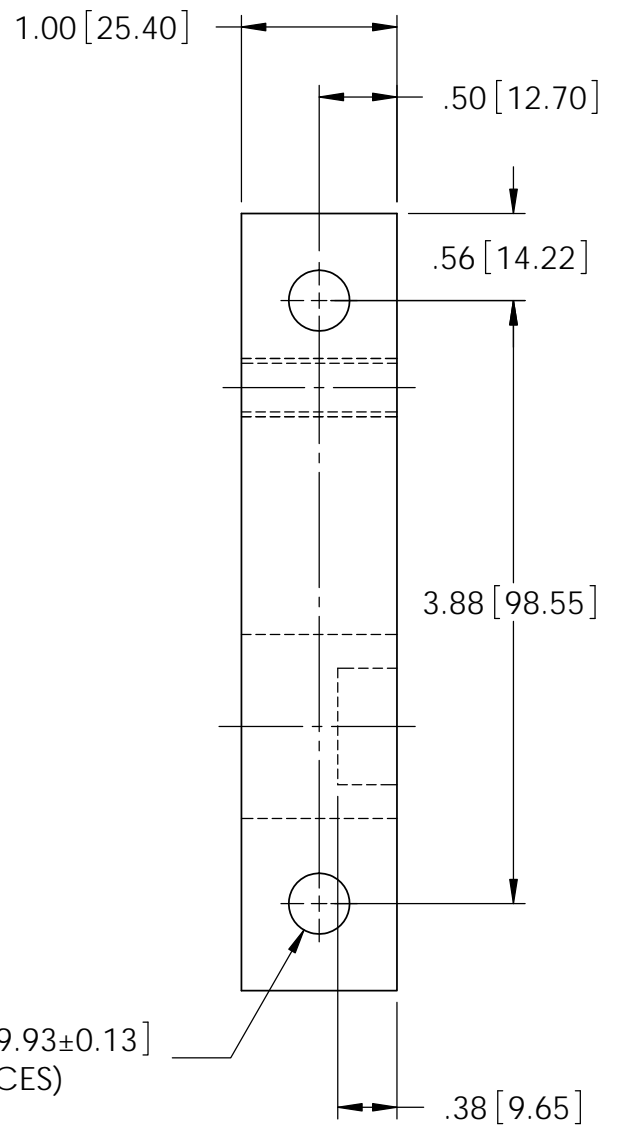
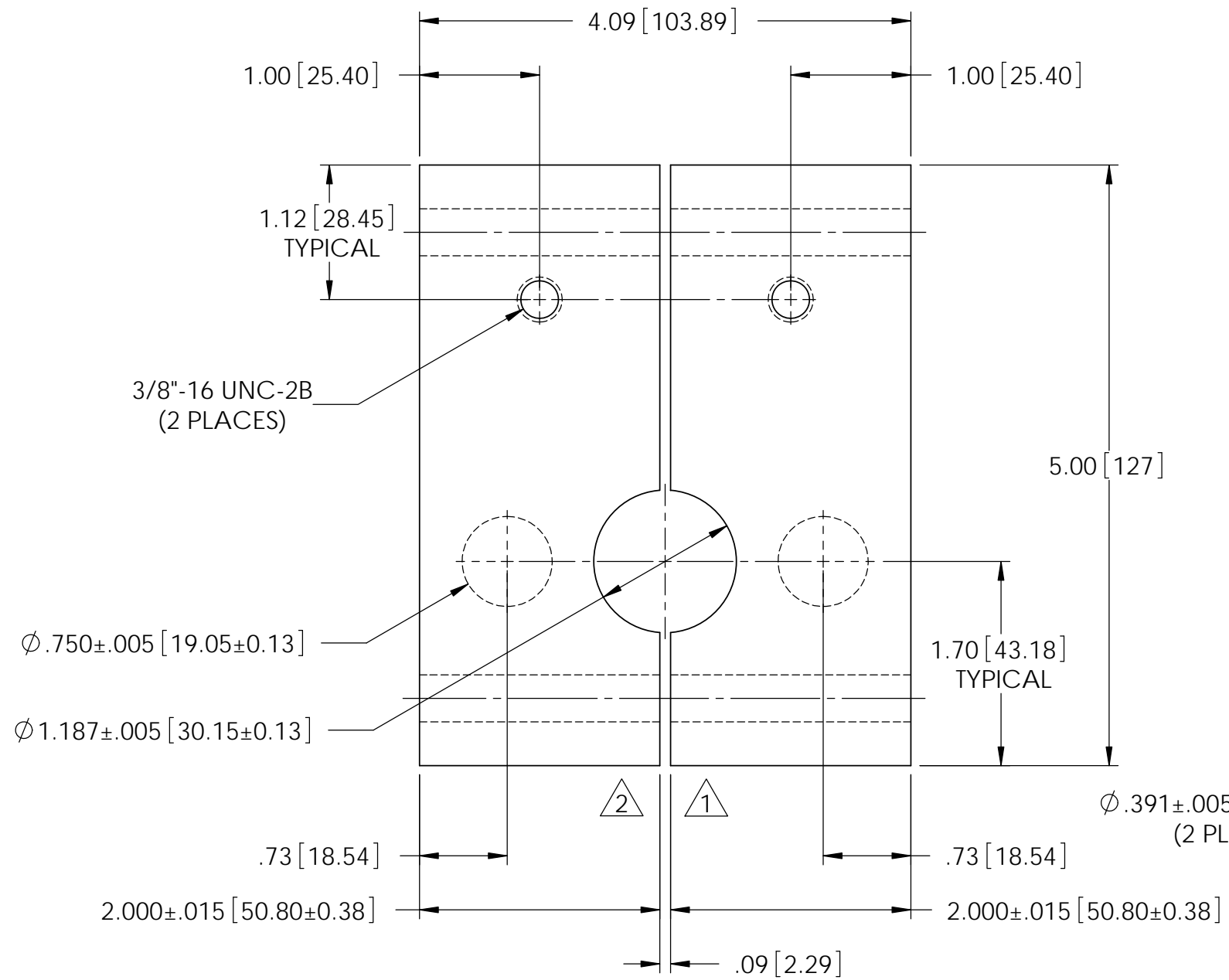
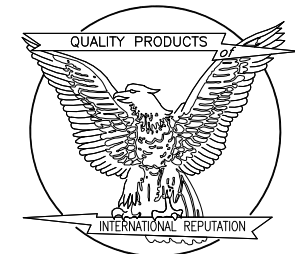


REVISIONS					
REV.	DATE	ECN #	DESCRIPTION	BY	APPROVED
1	3/19/2010	HJ10-044	ADDED STAMPED MATCHING #.	JH	JFS
2	4/14/2015	HJ15-083	REMOVED STAMPED MATCHING #'S	TJF	BLB



**PROPRIETARY AND CONFIDENTIAL**  
 THE INFORMATION CONTAINED IN THIS DRAWING IS THE SOLE PROPERTY OF H-J ENTERPRISES, INC. ANY REPRODUCTION IN PART OR AS A WHOLE WITHOUT THE WRITTEN PERMISSION OF H-J ENTERPRISES, INC. IS PROHIBITED.

TOLERANCES (EXCEPT AS NOTED)	
DECIMAL	$\pm .03$ [0.76mm]
FRACTION	
ANGULAR	$\pm 1^\circ$



**H-J ENTERPRISES, INC.**  
 3010 HIGH RIDGE BLVD. HIGH RIDGE, MO. 63049 USA  
 PHONE 1-636-677-3421 FAX 1-636-376-1915

**2000A BOTTLE CLAMP**

MATERIAL COPPER C11000 - SILVER PLATED .00005" [1.3µm] MIN.

DRAWN BY JH DATE 2/8/2010

CHK'D APP'D SCALE N.T.S. DRAWING NO. LB0022-001