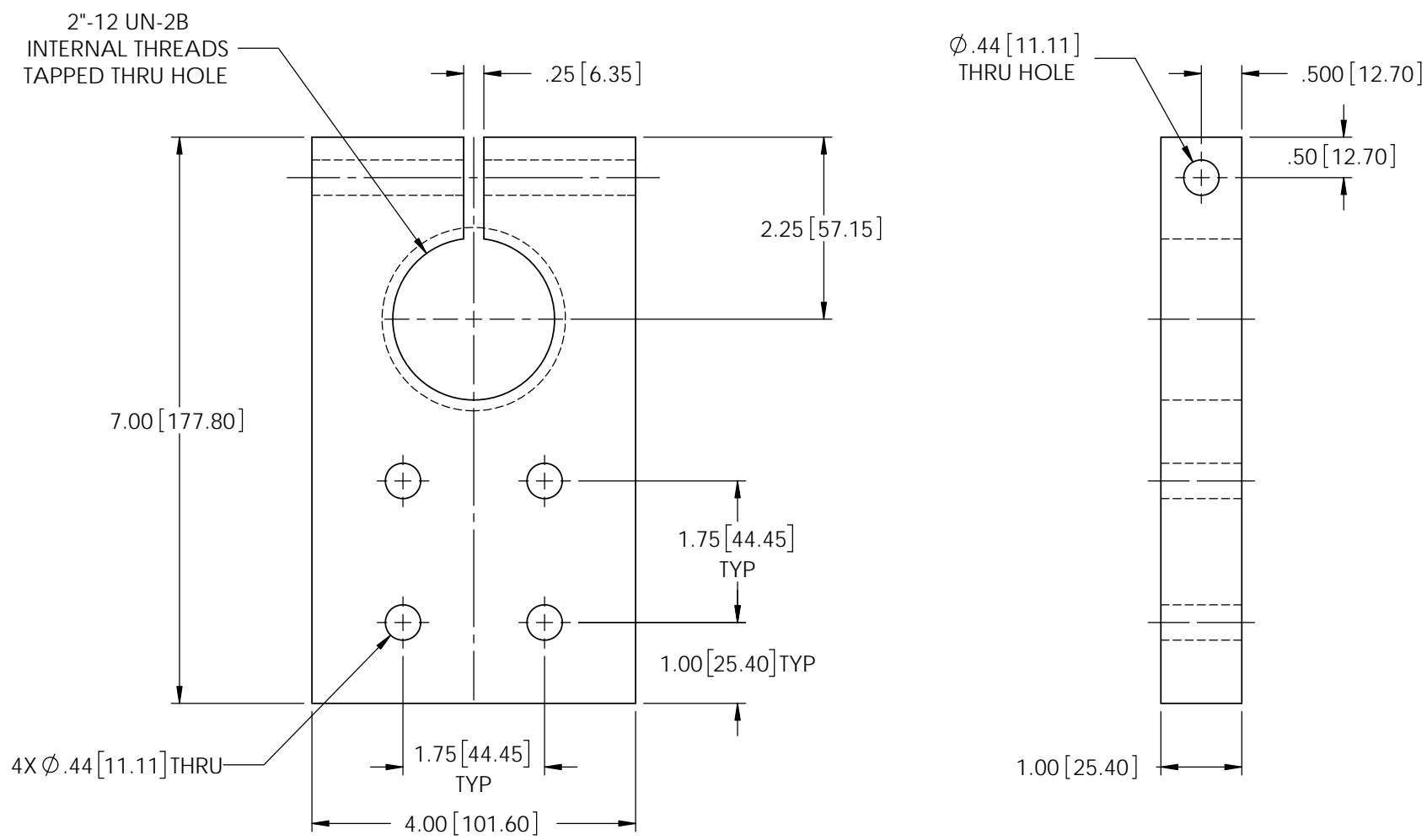


REVISIONS					
REV.	DATE	ECN #	DESCRIPTION	BY	APPROVED
1	1/2/2019		SOLIDWORKS REDRAW	MAD	CLS



**PROPRIETARY AND CONFIDENTIAL**  
 THE INFORMATION CONTAINED IN THIS  
 DRAWING IS THE SOLE PROPERTY OF  
 H-J ENTERPRISES, INC. ANY  
 REPRODUCTION IN PART OR AS A WHOLE  
 WITHOUT THE WRITTEN PERMISSION OF  
 H-J ENTERPRISES, INC. IS  
 PROHIBITED.

<b>TOLERANCES</b> (EXCEPT AS NOTED)	
DECIMAL	.XX ± .05"
FRACTIONAL	.XXX ± .010"
+/-	
ANGULAR	
+/- 2 Degrees	



**H-J ENTERPRISES, INC.**  
 3010 HIGH RIDGE BLVD. HIGH RIDGE, MO. 63049 USA  
 PHONE 1-636-677-3421 FAX 1-636-376-1915

<b>L.V. COPPER LEAD BLOCK</b>		
MATERIAL COPPER CDA 11000		
CHK'D	APP'D	DRAWING NO.
		<b>LB0021-001</b>
DRAWN BY	DATE	SCALE
CJT	3/20/2008	N.T.S.