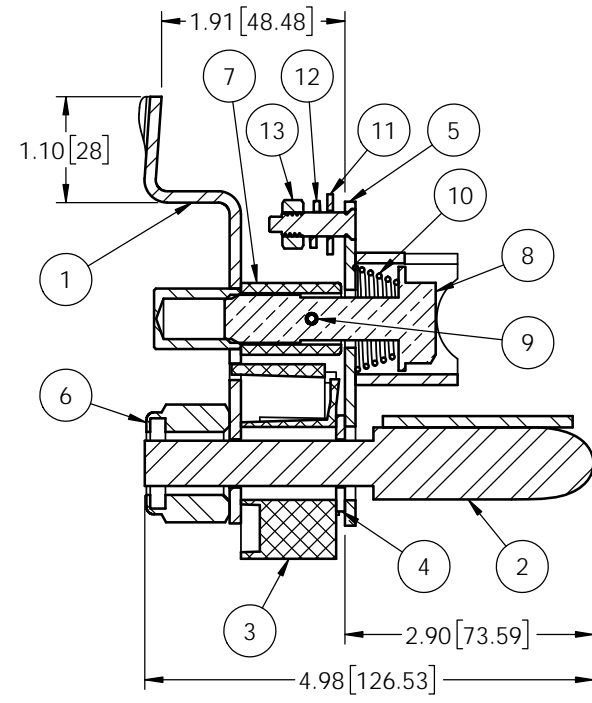


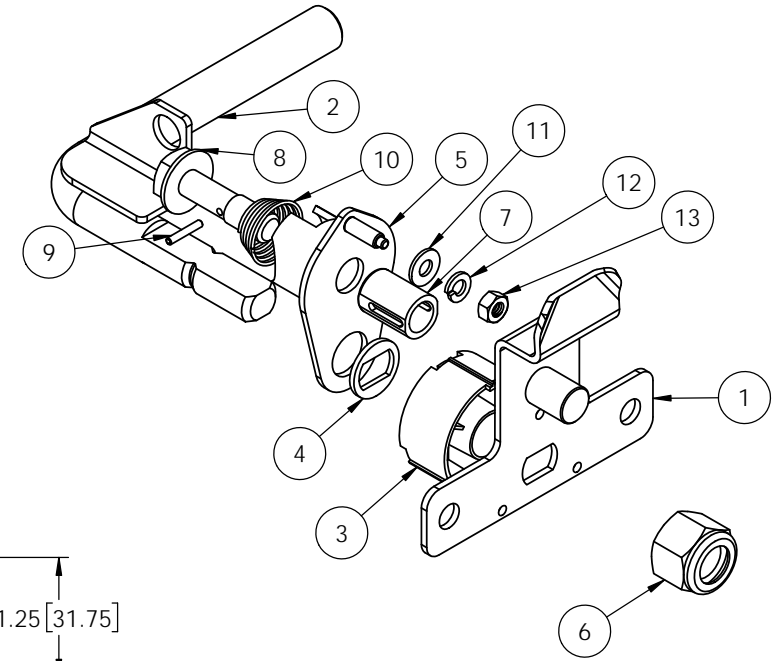
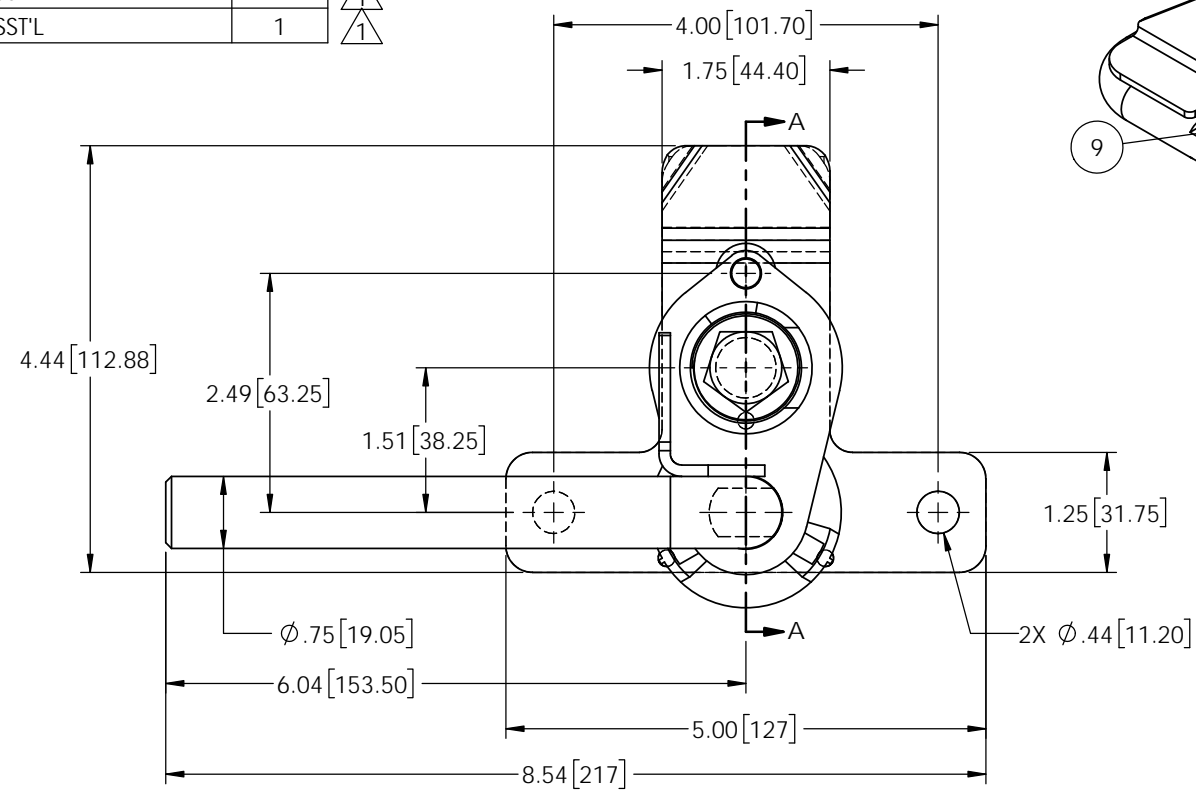
ITEM NO.	DESCRIPTION	MATERIAL	QTY.
1	BACK PLATE WELDMENT	304 SST'L	1
2	DOOR HANDLE WELDMENT	304 SST'L	1
3	BEARING HUB	PLASTIC	1
4	KEYED WASHER	304 SST'L	1
5	PENTAHEAD HOUSING BRACKET WELDMENT	304 SST'L	1
6	LOCK NUT, 3/4-10	304 SST'L	1
7	SLOTTED FERELL	PLASTIC	1
8	PENTAHEAD BOLT, 1/2-13 X 43mm LG	304 SST'L	1
9	SPLIT ROLL PIN, 3mm DIA.	304 SST'L	1
10	SPRING	304 SST'L	1
11	FLAT WASHER, 1/4" CLEARANCE	304 SST'L	1
12	SPLIT LOCK WASHER, 1/4" CLEARANCE	304 SST'L	1
13	HEX NUT, 1/4-20	304 SST'L	1

REVISIONS					
REV.	DATE	ECN #	DESCRIPTION	BY	APPROVED
1	6/22/2020	POI# 16343 LINE 279	ADDED ITEMS 11, 12, & 13	CLS	PM
2	6/23/2020	POI# 16343 LINE 297	ADDED NOTE TO SHIP COMPLETE KIT IN SEALED BAG	CLS	PM
3	2/21/2022	HJ22-023	ADD DIMENSIONS & NOTE AS REFERENCE	CLS	LO

$\triangle$   
 $\triangle$   
 $\triangle$



SECTION A-A



- NOTES:
- $\triangle$  1. KIT IS SHIPPED UNASSEMBLED.
  - $\triangle$  2. KIT TO BE SUPPLIED AS ONE COMPLETE BILL OF MATERIAL IN A SEALED BAG.
  - $\triangle$  3. ALL DIMENSIONS ARE REFERENCE ONLY.

<b>THIRD ANGLE</b> 	<b>TOLERANCES</b> (EXCEPT AS NOTED)		<b>H-J INTERNATIONAL, INC.</b> 3010 HIGH RIDGE BLVD. HIGH RIDGE, MO. 63049 USA PHONE 1-636-677-3421 FAX 1-636-376-1915	
	DECIMAL $\pm$ FRACTIONAL $\pm$ ANGULAR $\pm$		<b>DOOR HANDLE KIT</b>	
<b>PROPRIETARY AND CONFIDENTIAL</b> THE INFORMATION CONTAINED IN THIS DRAWING IS THE SOLE PROPERTY OF H-J INTERNATIONAL, INC. ANY REPRODUCTION IN PART OR AS A WHOLE WITHOUT THE WRITTEN PERMISSION OF H-J INTERNATIONAL, INC. IS PROHIBITED.		MATERIAL SEE BOM	CHK'D - APP'D - DRAWING NO.	DRAWN BY TJF DATE 12/06/2017 SCALE N.T.S.
		DRAWING NO. <b>KT0153-002</b>		