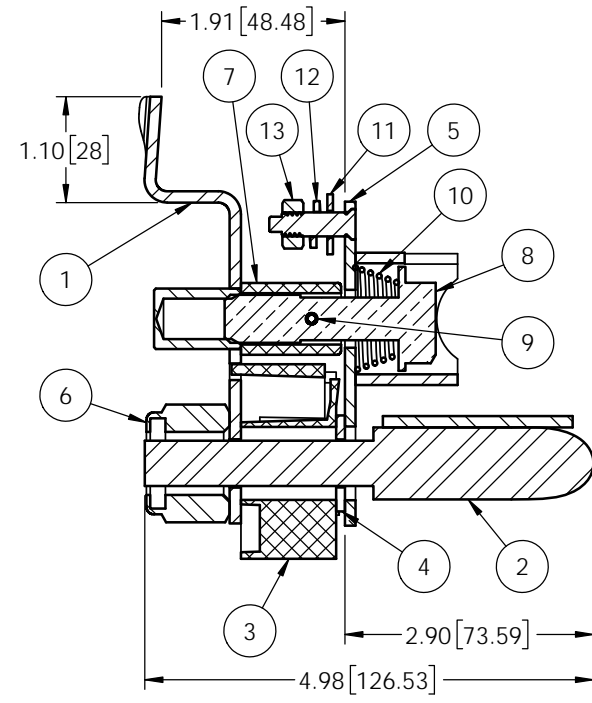


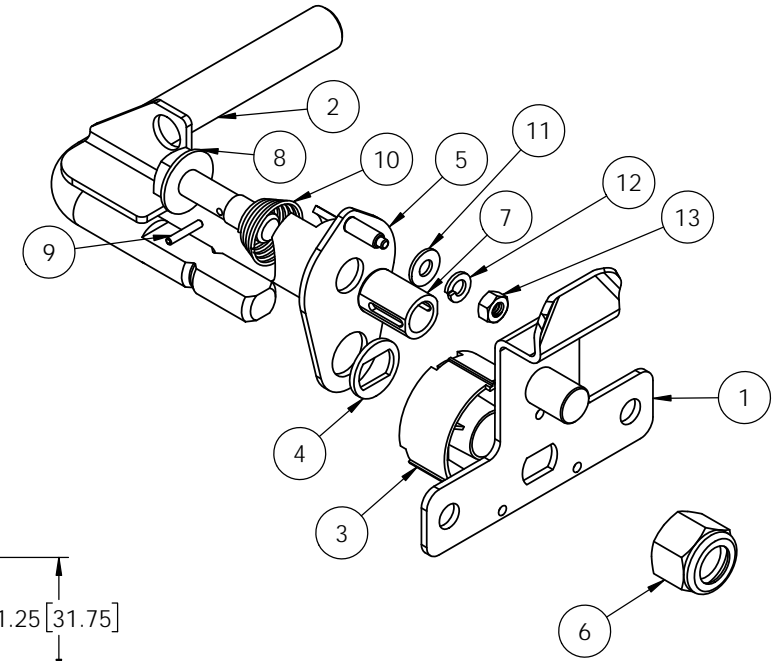
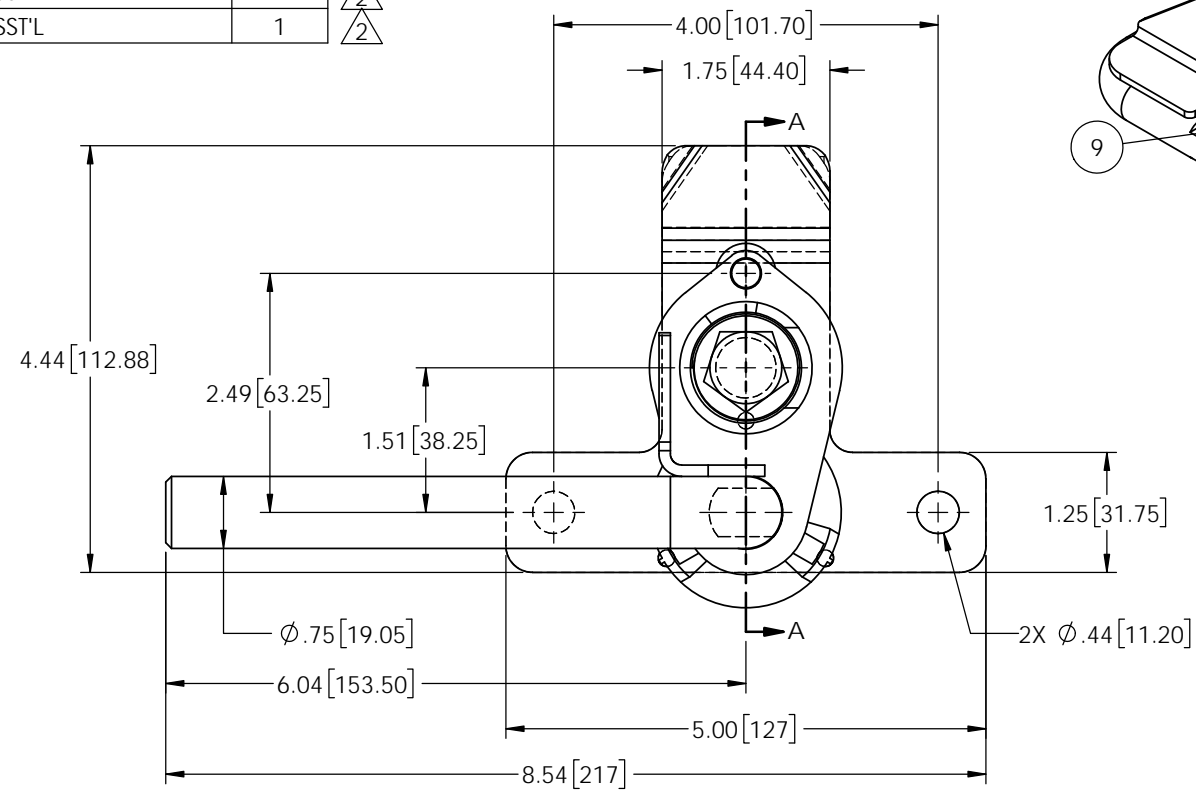
ITEM NO.	DESCRIPTION	MATERIAL	QTY.
1	BACK PLATE WELDMENT	CRS 1018 - ZINC PLATED	1
2	DOOR HANDLE WELDMENT	CRS 1018 - ZINC PLATED	1
3	BEARING HUB	PLASTIC	1
4	KEYED WASHER	304 SST'L	1
5	PENTAHEAD HOUSING BRACKET WELDMENT	304 SST'L	1
6	LOCK NUT, 3/4-10	CRS 1018	1
7	SLOTTED FERELL	PLASTIC	1
8	PENTAHEAD BOLT, 1/2-13 X 43mm LG	304 SST'L	1
9	SPLIT ROLL PIN, 3mm DIA.	SPRING ST'L	1
10	SPRING	SPRING ST'L	1
11	FLAT WASHER, 1/4" CLEARANCE	304 SST'L	1
12	SPLIT LOCK WASHER, 1/4" CLEARANCE	304 SST'L	1
13	HEX NUT, 1/4-20	304 SST'L	1

REVISIONS					
REV.	DATE	ECN #	DESCRIPTION	BY	APPROVED
1	2/27/2020	PQI# 16343	MATERIAL CHANGES: ITEM 4 WAS "CRS 1018 - ZINC PLATED" & ITEM 8 WAS "COPPER C11000"	CLS	PM
2	6/22/2020	PQI# 16343 LINE 279	ADDED ITEMS 11, 12, & 13	CLS	PM
3	6/23/2020	PQI# 16343 LINE 297	ADDED NOTE TO SHIP COMPLETE KIT IN SEALED BAG	CLS	PM
4	2/21/2022	HJ22-023	ADD DIMENSIONS & NOTE AS REFERENCE	CLS	LO

△1
△1
△2
△2
△2



SECTION A-A



- NOTES:
- △3 1. KIT IS SHIPPED UNASSEMBLED.
 - △2 2. KIT TO BE SUPPLIED AS ONE COMPLETE BILL OF MATERIAL IN A SEALED BAG.
 - △4 3. ALL DIMENSIONS ARE REFERENCE ONLY.

<p>THIRD ANGLE</p>	<p>TOLERANCES (EXCEPT AS NOTED)</p> <p>DECIMAL</p> <p>±</p> <p>FRACTIONAL</p> <p>±</p> <p>ANGULAR</p> <p>±</p>		<p>H - J INTERNATIONAL, INC.</p> <p>3010 HIGH RIDGE BLVD. HIGH RIDGE, MO. 63049 USA</p> <p>PHONE 1-636-677-3421 FAX 1-636-376-1915</p>	
	<p>PROPRIETARY AND CONFIDENTIAL</p> <p>THE INFORMATION CONTAINED IN THIS DRAWING IS THE SOLE PROPERTY OF H-J INTERNATIONAL, INC. ANY REPRODUCTION IN PART OR AS A WHOLE WITHOUT THE WRITTEN PERMISSION OF H-J INTERNATIONAL, INC. IS PROHIBITED.</p>		<p>DOOR HANDLE KIT</p>	
<p>MATERIAL SEE BOM</p>		<p>DRAWING NO. KT0153-001</p>		
<p>DRAWN BY TJF</p>	<p>DATE 12/06/2017</p>	<p>SCALE N.T.S.</p>	<p>CHK'D - APP'D -</p>	