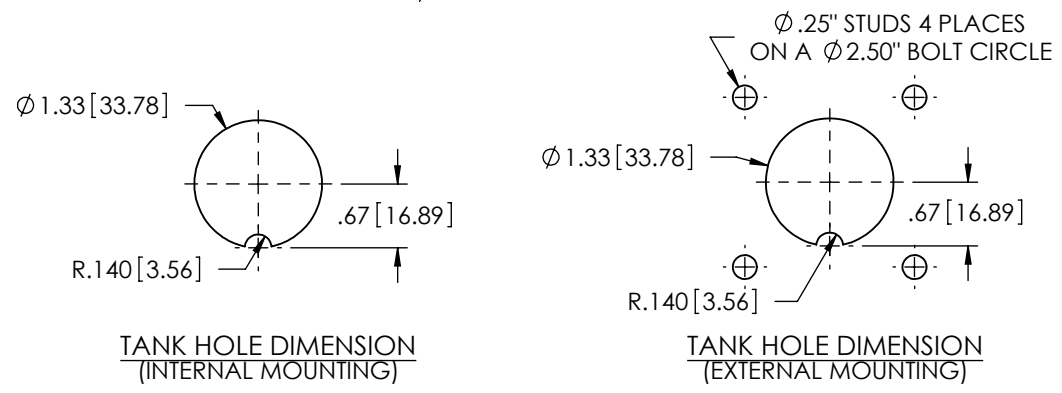
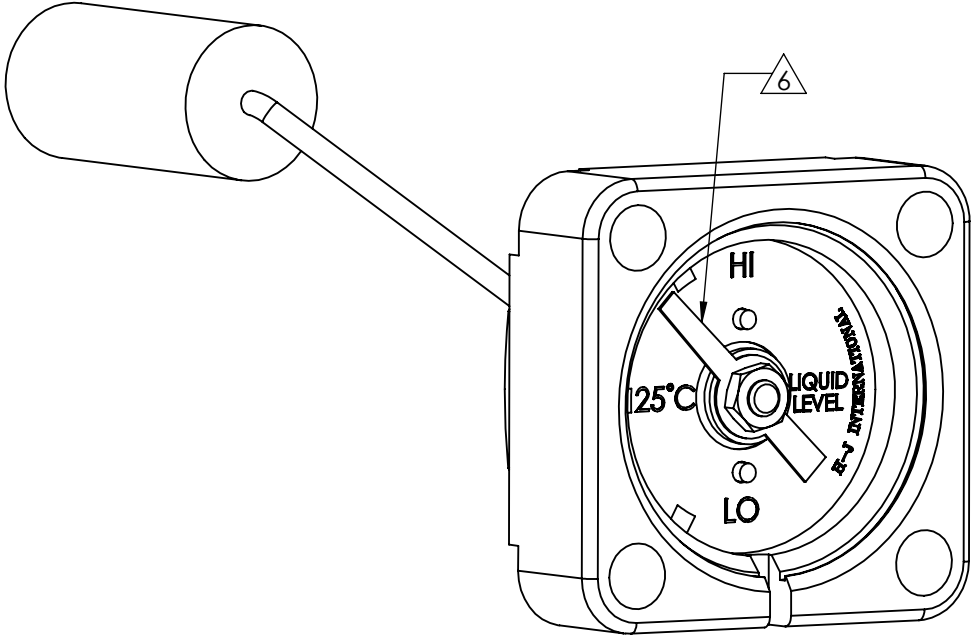
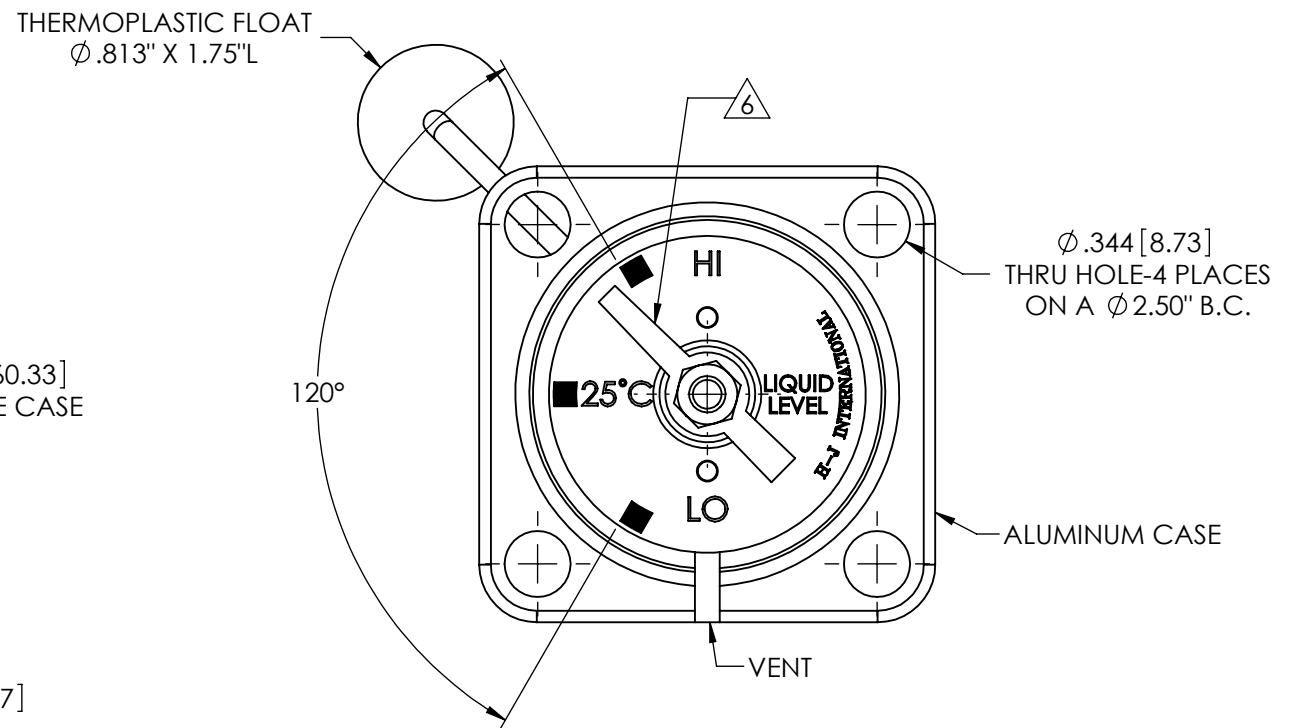
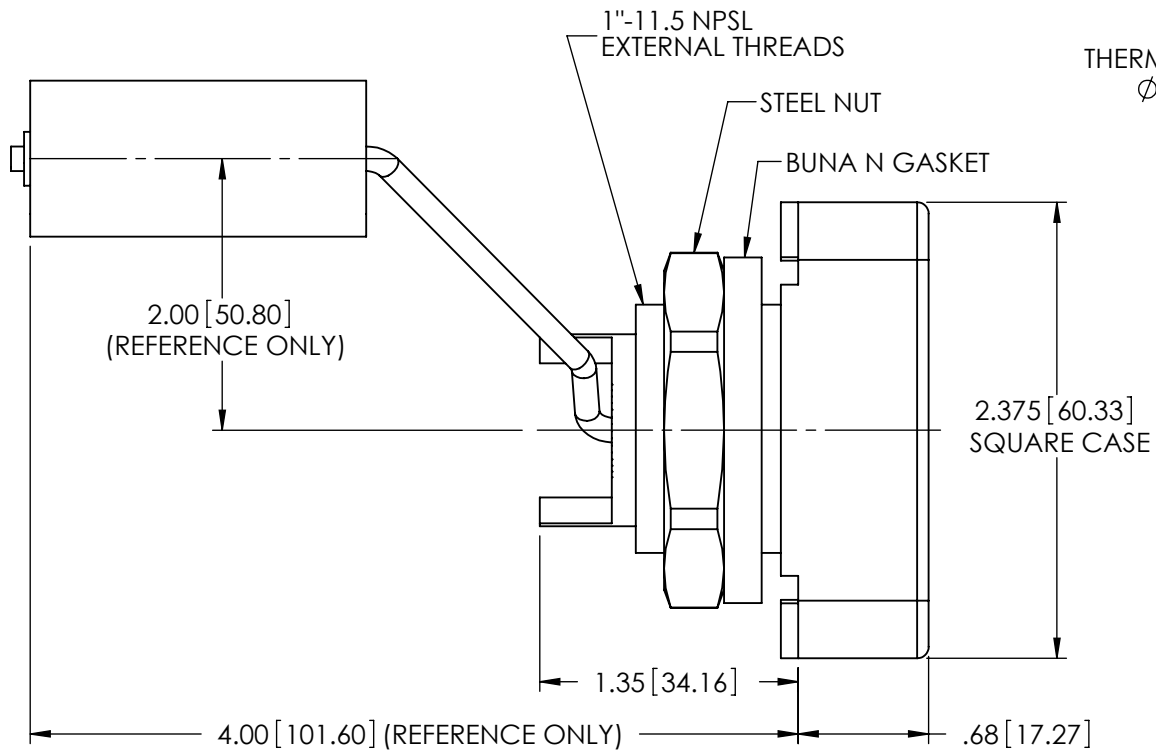


REVISIONS					
REV.	DATE	ECN #	DESCRIPTION	BY	APPROVED
5	11/18/09		REDRAWN.	CJT	JFS
6	9/11/12	HJ12-175	POINTER REDRAWN	BS	CJT



PROPRIETARY AND CONFIDENTIAL
 THE INFORMATION CONTAINED IN THIS DRAWING IS THE SOLE PROPERTY OF H-J INTERNATIONAL, INC. ANY REPRODUCTION IN PART OR AS A WHOLE WITHOUT THE WRITTEN PERMISSION OF H-J INTERNATIONAL, INC. IS PROHIBITED.

TOLERANCES (EXCEPT AS NOTED)	
DECIMAL	+/- .032"/.8mm
FRACTIONAL	+/-
ANGULAR	+/- 2 Degrees



H - J INTERNATIONAL, INC.
 3010 HIGH RIDGE BLVD. HIGH RIDGE, MO. 63049 USA
 PHONE 1-636-677-3421 FAX 1-636-376-1915

LIQUID LEVEL GAUGE ASSEMBLY

MATERIAL	SEE DRAWING		
CHK'D	CJT	APP'D	9/11/12
DRAWING NO.	INT005-001		
DRAWN BY	CMH	DATE	5-24-12
SCALE	N.T.S.		