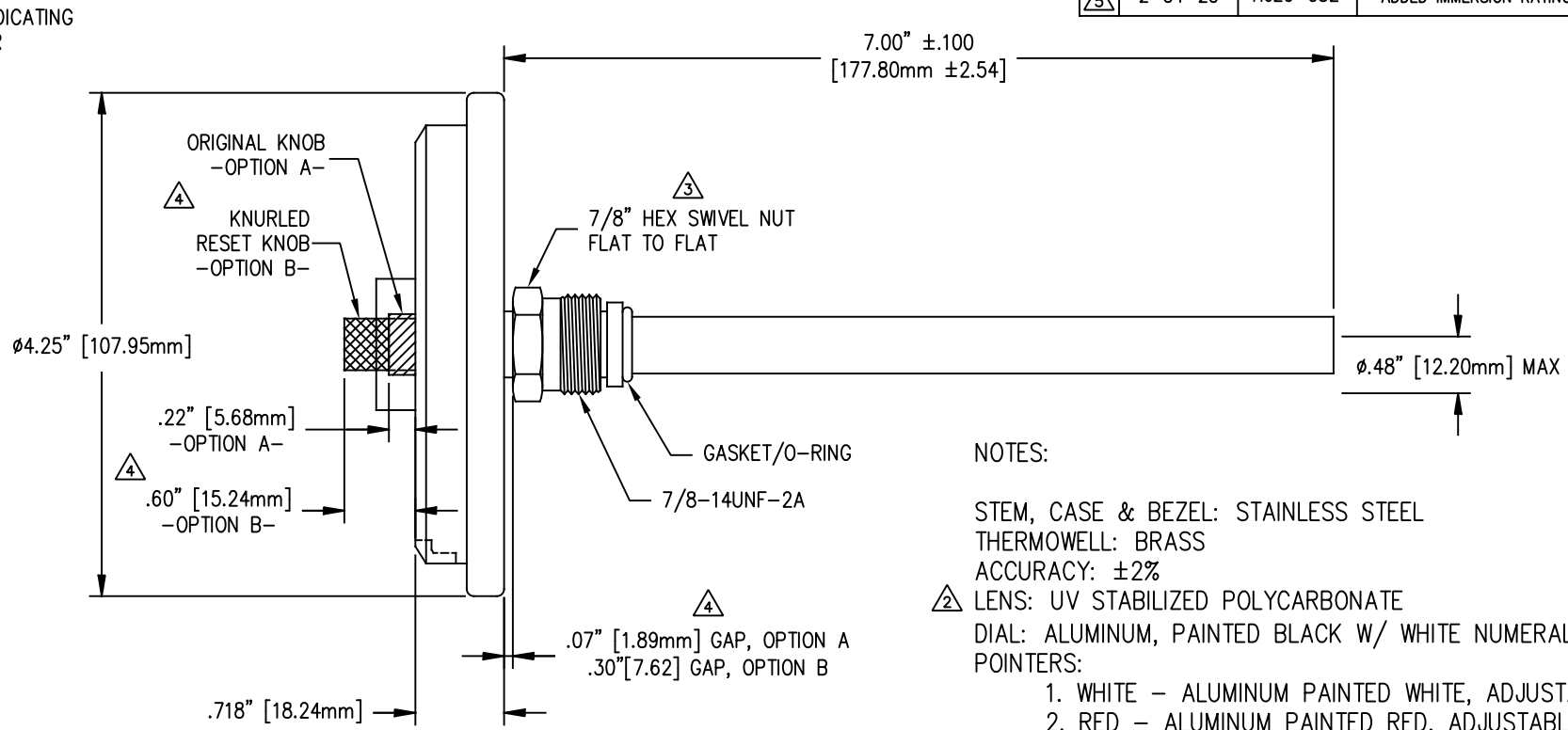
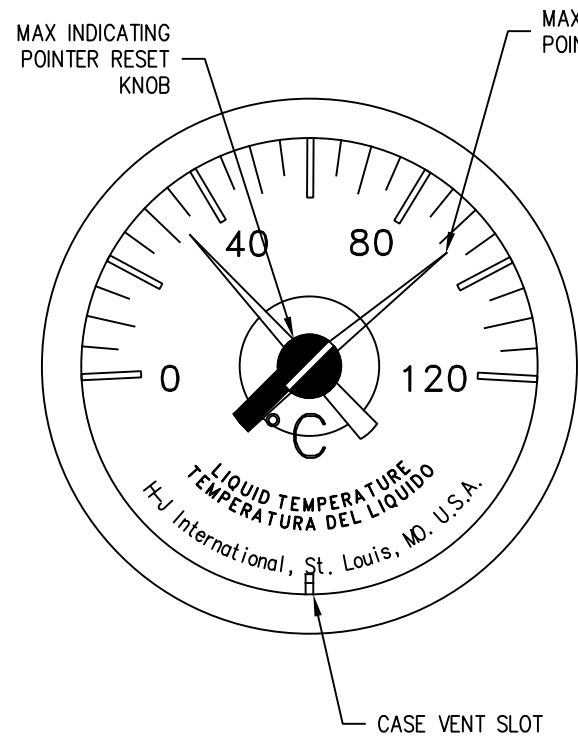


REVISIONS					
NO.	DATE	ECN #	REMARKS	BY	APPD.
①	9-16-03		CHANGED PART NUMBER FROM INTO02-XX2SP.	CJT	SP
②	11-22-10	HJ10-183	LENS MATERIAL WAS: POLYCARBONATE	JH	JFS
③	7-31-13	HJ13-172	ADDED "FLAT TO FLAT" TO HEX CALLOUT.	BS	BB
④	6-21-17	HJ17-155	ADDED OPTION DIMS. ADDED OPTION NOTES	TJF	BLB
⑤	2-04-20	HJ20-052	ADDED IMMERSION RATING	TJF	LO



NOTES:

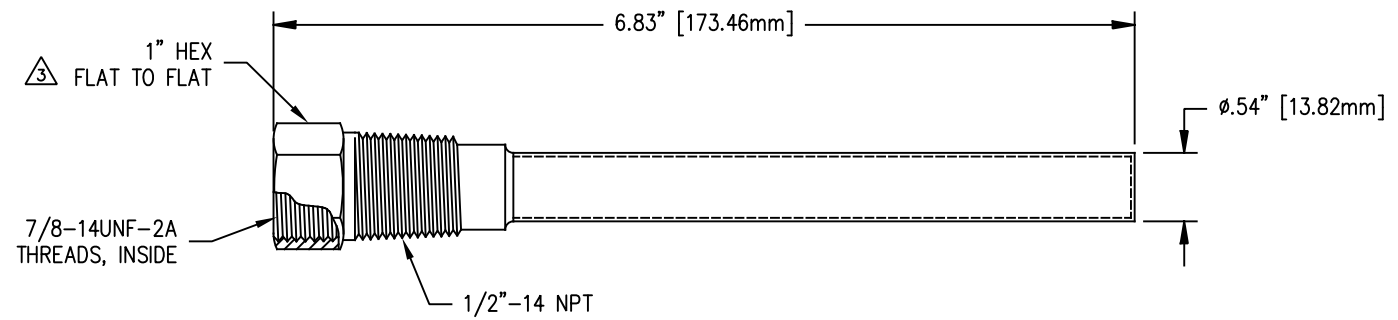
STEM, CASE & BEZEL: STAINLESS STEEL
 THERMOWELL: BRASS
 ACCURACY: ±2%

③ LENS: UV STABILIZED POLYCARBONATE
 DIAL: ALUMINUM, PAINTED BLACK W/ WHITE NUMERALS
 POINTERS:
 1. WHITE - ALUMINUM PAINTED WHITE, ADJUSTABLE
 2. RED - ALUMINUM PAINTED RED, ADJUSTABLE

RANGE: 0°-to-120°
 ⑤ IMMERSION RATING: IP51 (DUST PROTECTED, DRIPPING WATER)

④ OPTION NOTES:
 1. OPTION A: ORIGINAL
 2. OPTION B: SEE NOTED DIMENSIONS

INT003-004



TOLERANCES (EXCEPT AS NOTED)	DECIMAL ±.032"/.8mm		H-J INTERNATIONAL, INC. 3010 HIGH RIDGE BLVD. HIGH RIDGE, MO. 63049 USA PHONE 1-636-677-3421 FAX 1-636-376-1915		
	FRACTIONAL ±		BIMETAL THERMOMETER		
ANGULAR ±2°	±	MATERIAL (SEE NOTES) CHK'D PWD APP'D 7-31-13 DRAWING NO. INT002-006 ④	DRAWN BY PWD DATE 8-7-03	SCALE N.T.S.	