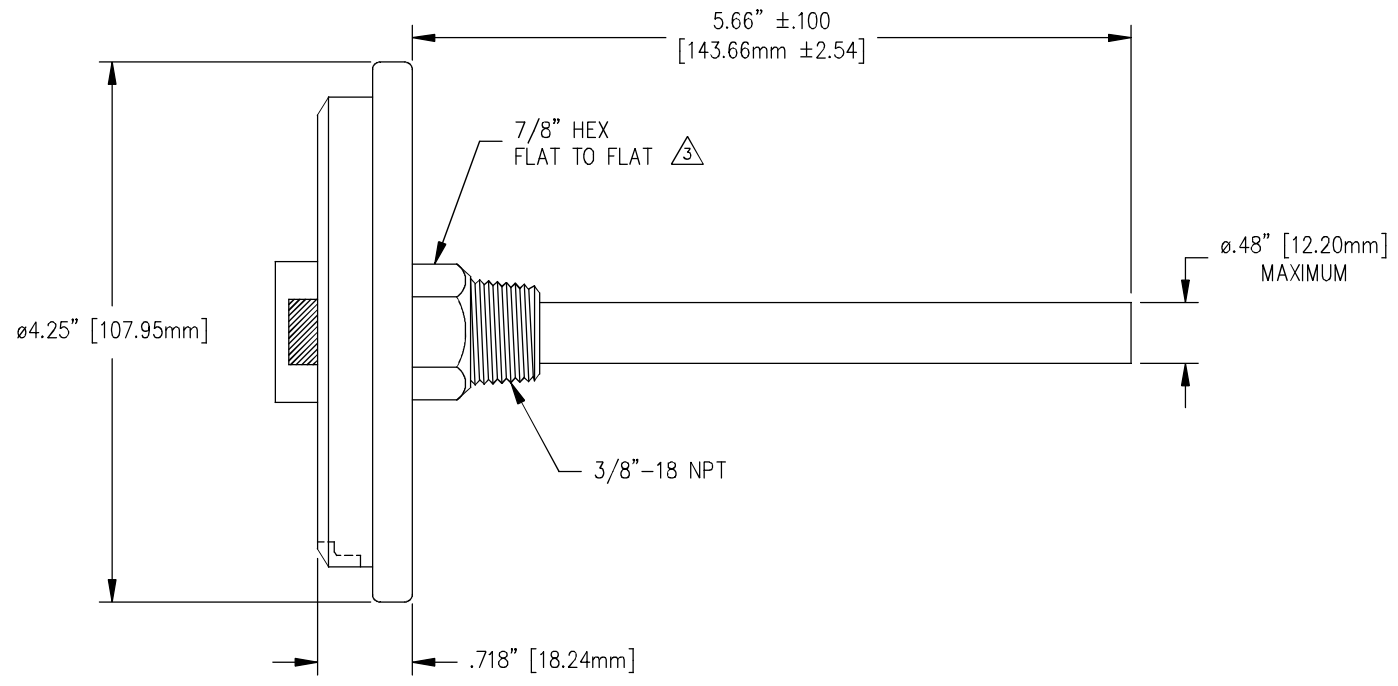
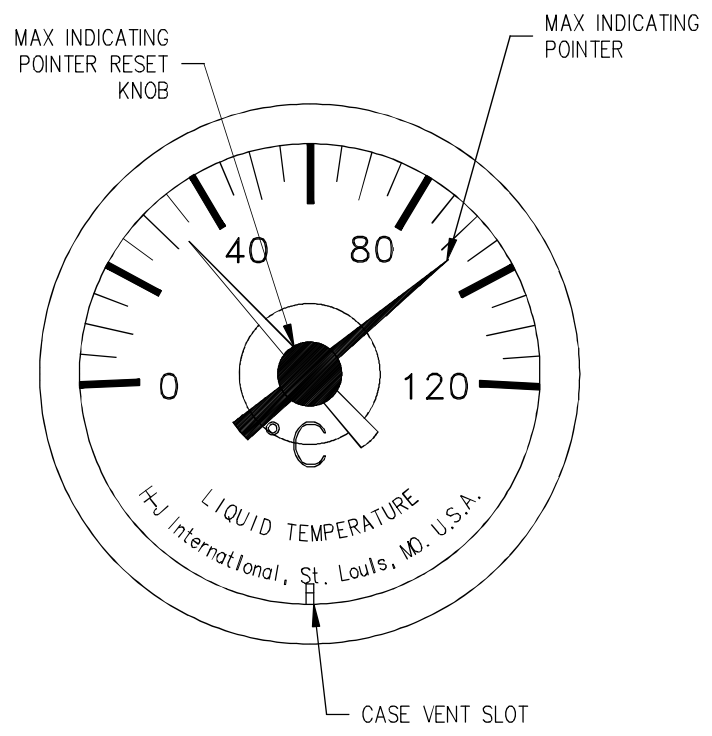
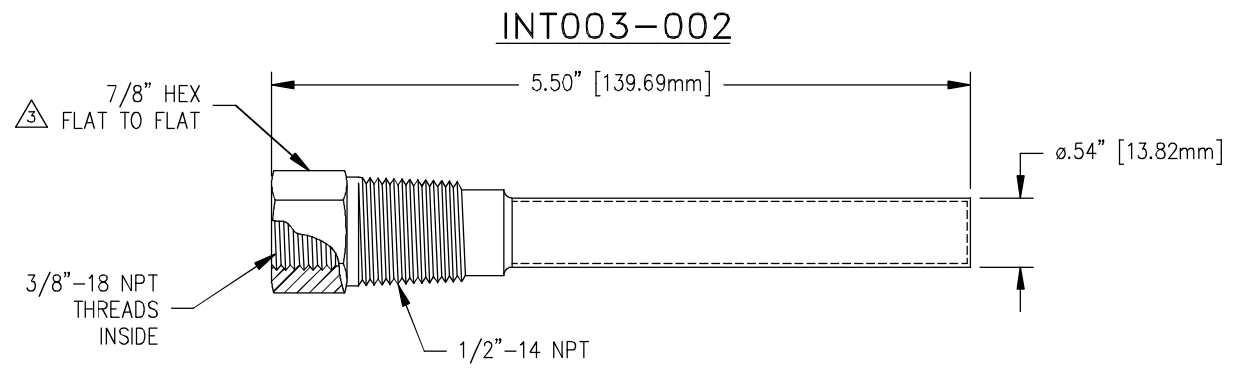


REVISIONS					
NO.	DATE	ECN #	REMARKS	BY	APPD.
1	2-14-01	HJ01-031	REDRAWN	CJT	LHE
2	11-22-10	HJ10-183	LENS MATERIAL WAS: POLYCARBONATE	JH	JFS
3	7-31-13	HJ13-172	ADDED "FLAT TO FLAT" TO HEX CALLOUT.	BS	BB



NOTES:
STEM, CASE & BEZEL: STAINLESS STEEL.
THERMOWELL: BRASS.
ACCURACY: ± 2%
 2 LENS: UV STABILIZED POLYCARBONATE.
DIAL: ALUMINUM, PAINTED BLACK WITH WHITE NUMERALS.
POINTERS: 1. WHITE – ALUMINUM PAINTED WHITE, ADJUSTABLE.
2. RED – ALUMINUM PAINTED RED, ADJUSTABLE.
RANGE: 0-120°



TOLERANCES (EXCEPT AS NOTED)		H-J INTERNATIONAL, INC.			
DECIMAL ± .032" / .8mm		3010 HIGH RIDGE BLVD. HIGH RIDGE, MO. 63049 USA PHONE 1-636-677-3421 FAX 1-636-376-1915			
FRACTIONAL ±		BIMETAL THERMOMETER			
ANGULAR ± 2°		CHK'D CJT	APP'D 7-31-13	DRAWING NO. INT002-003	
	DRAWN BY CJT	DATE 5-28-98	SCALE N.T.S.		