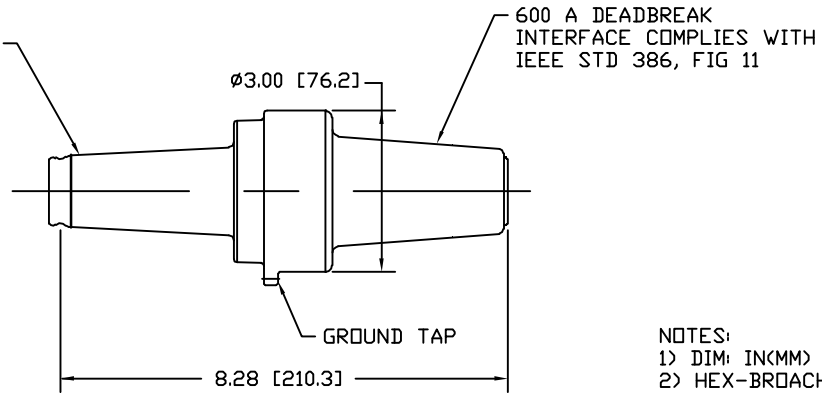



LOADBREAK INTERFACE COMPLIES WITH IEEE STD 386, FIG 5



NOTES:
 1) DIM: IN(MM)
 2) HEX-BROACH FOR TORQUE IN INSTALLATION INCLUDED.

CONFIDENTIAL: THIS DRAWING AND ITS CONTENTS ARE CONFIDENTIAL AND THE EXCLUSIVE PROPERTY OF HUBBELL POWER SYSTEMS. NO PUBLICATION, DISTRIBUTION OR COPIES MAY BE MADE WITHOUT THE WRITTEN CONSENT OF HUBBELL POWER SYSTEMS. HUBBELL POWER SYSTEMS UNPUBLISHED ALL RIGHTS RESERVED UNDER THE COPYRIGHT LAWS.		 HUBBELL POWER SYSTEMS			
		TITLE ELBOW TAP PLUG 15 KV			
REV DATE	04/07/04	SIZE	DWG NO.	CAT / PART / ASSY NO.	REV
		B	026387-00	615ETP	0
		DO NOT SCALE THIS DRAWING	DRN BY JVR	DATE 04/07/04	SHEET 1 OF 1