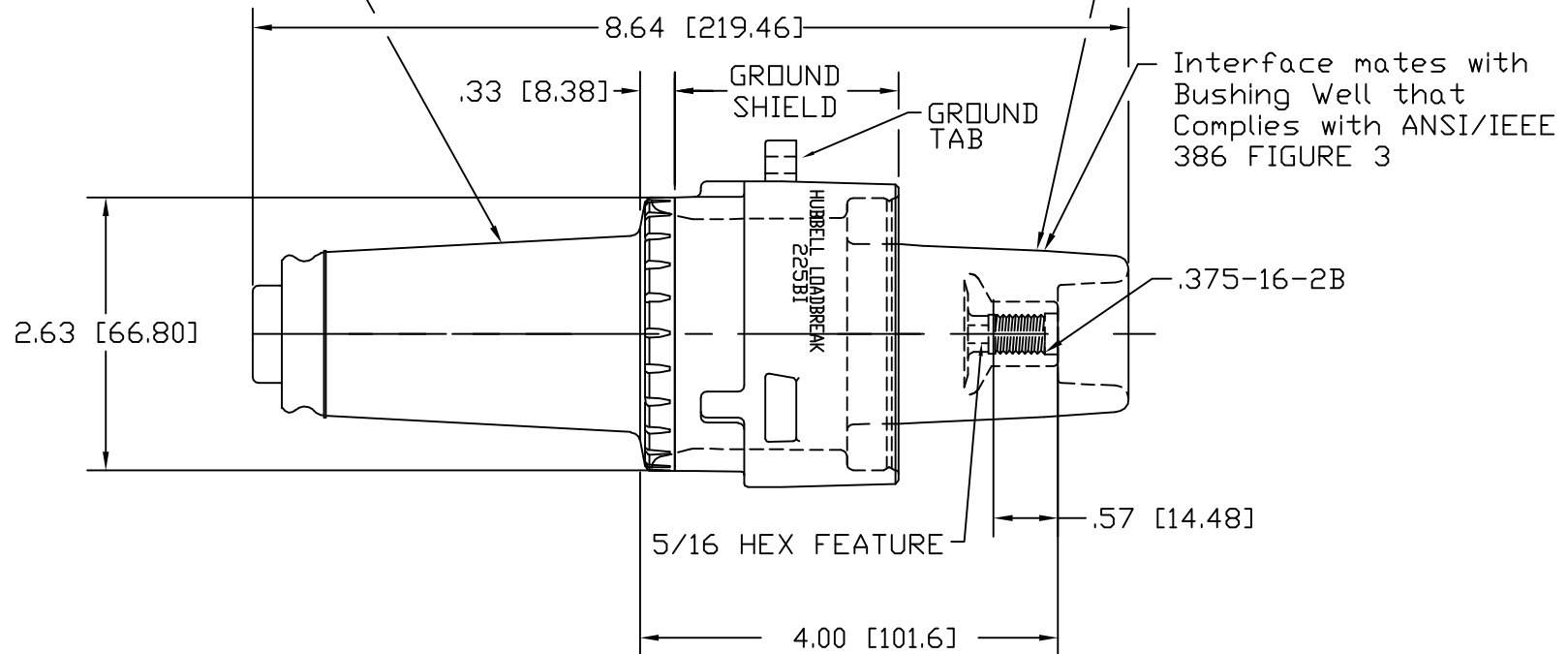


Interface Complies with ANSI/IEEE 386 FIGURE #7

Bushing Insert must be turned into bushing well until firmly seated. Ground Shield of the bushing insert must be in contact with the Ground Shield of the Bushing Well.



25KV BUSHING INSERT

Part Number for special packaging	Notes
225BIBP	1. Units to be bulk packed in a master bag, 20 units per bag. 2. Does not include instruction sheet or silicone lubricant.
225BICM	1. Units to be bulk packed in a master bag, 20 units per bag. 2. Includes a pre-pack of instruction sheet (1) and silicone lubricant (20).
225BIFPC	1. Includes customer's part number.
225BITM	1. Includes customer's part number.

CHARDON TOLERANCE CHART			
CONFIDENTIAL: THIS DRAWING AND ITS CONTENTS ARE CONFIDENTIAL AND THE EXCLUSIVE PROPERTY OF HUBBELL POWER SYSTEMS. NO PUBLICATION, DISTRIBUTION OR COPIES MAY BE MADE WITHOUT THE WRITTEN CONSENT OF HUBBELL POWER SYSTEMS. HUBBELL POWER SYSTEMS UNPUBLISHED ALL RIGHTS RESERVED UNDER THE COPYRIGHT LAWS.			
HUBBELL POWER SYSTEMS TITLE INSERT 25 KV BUSHING		SIZE B	DWG NO. --
CAT / PART / ASSY NO. 225BI	REV 1	DO NOT SCALE THIS DRAWING	DRN BY JVR
REV DATE 10/16/07	DATE 02/22/07	SHEET 1 OF 1	