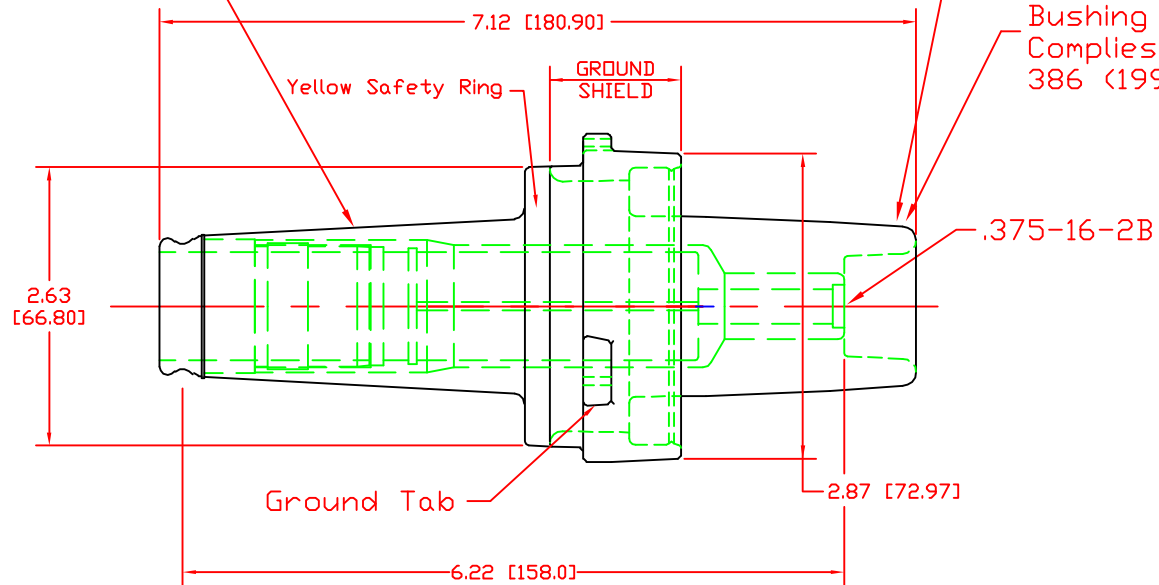


Interface Complies with ANSI/IEEE 386 (1995) FIGURE 5

Bushing Insert must be turned into bushing well until firmly seated. Ground Shield of the bushing insert must be in contact with the Ground Shield of the Bushing Well.


Interface mates with Bushing Well that Complies with ANSI/IEEE 386 (1995) FIGURE 3



15KV BUSHING INSERT

Part Number for special packaging	Notes
215BIBP	1. Units to be bulk packed in a master bag, 25 units per bag. 2. Do not include instruction sheet or silicone lubricant.
215BICM	1. Units to be bulk packed in a master bag, 25 units per bag. 2. Include a pre-pack of instruction sheet (1) and silicone lubricant (25).
215BIFPC	1. Include customer's part number.
215BITM	1. Include customer's part number.

REV DATE 09/20/07

 HUBBELL® POWER SYSTEMS				
TITLE INSERT 15 KV BUSHING				
CONFIDENTIAL: THIS DRAWING AND ITS CONTENTS ARE CONFIDENTIAL AND THE EXCLUSIVE PROPERTY OF HUBBELL POWER SYSTEMS. NO PUBLICATION, DISTRIBUTION OR COPIES MAY BE MADE WITHOUT THE WRITTEN CONSENT OF HUBBELL POWER SYSTEMS. HUBBELL POWER SYSTEMS UNPUBLISHED ALL RIGHTS RESERVED UNDER THE COPYRIGHT LAWS.		SIZE DWG NO. B --	CAT / PART / ASSY NO. 215BI	REV 2
DO NOT SCALE THIS DRAWING	DRN BY JVR	DATE 10/13/06	SHEET 1 OF 1	