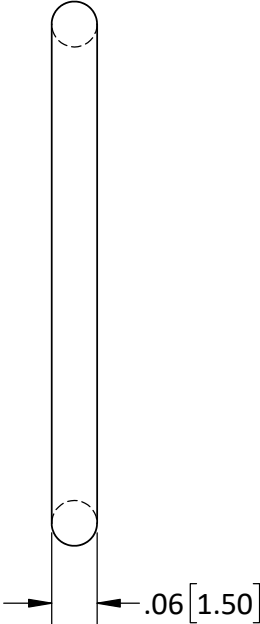
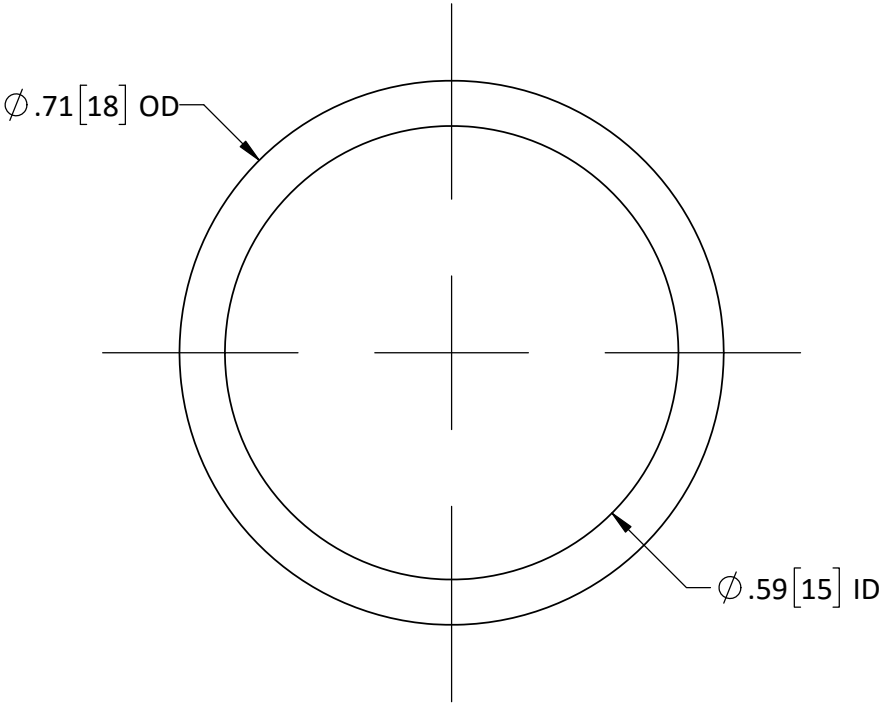


REVISIONS					
REV.	DATE	ECN #	DESCRIPTION	BY	APP'D
1	9/22/2016	HJ16-195	ADDED PACKAGING NOTES	TJF	CJT



**1** PACKAGING NOTES:

1. PACKAGING MUST BE CLEARLY MARKED WITH CCZ15M7.
2. PACKAGING MUST BE CLEARLY MARKED AS FLUROELASTOMER (FKM) OR VITON.

NOTE: PER ASTM D2000/SAE J200

PROPRIETARY AND CONFIDENTIAL  
 THE INFORMATION CONTAINED IN THIS  
 DRAWING IS THE SOLE PROPERTY OF  
 H-J ENTERPRISES, INC. ANY  
 REPRODUCTION IN PART OR AS A WHOLE  
 WITHOUT THE WRITTEN PERMISSION OF  
 H-J ENTERPRISES, INC. IS  
 PROHIBITED.  
 REMOVE ALL BURRS & SHARP EDGES

TOLERANCES (EXCEPT AS NOTED) ALL DIMENSIONS ARE IN: in/mm	
DECIMAL ±	
FRACTIONAL ±	
ANGULAR ±2°	



H - J ENTERPRISES, INC.  
 3010 HIGH RIDGE BLVD. HIGH RIDGE, MO. 63049 USA  
 PHONE 1-636-677-3421 FAX 1-636-376-1915

O-RING (18mm OD X 15mm ID X 1.5mm THK)

MATERIAL VITON, (A75 DUROMETER)

CHK'D CJT APP'D 6/28/16

DRAWING NO. GA0281-001

DRAWN BY TJF

DATE 6/28/2016

SCALE N.T.S.