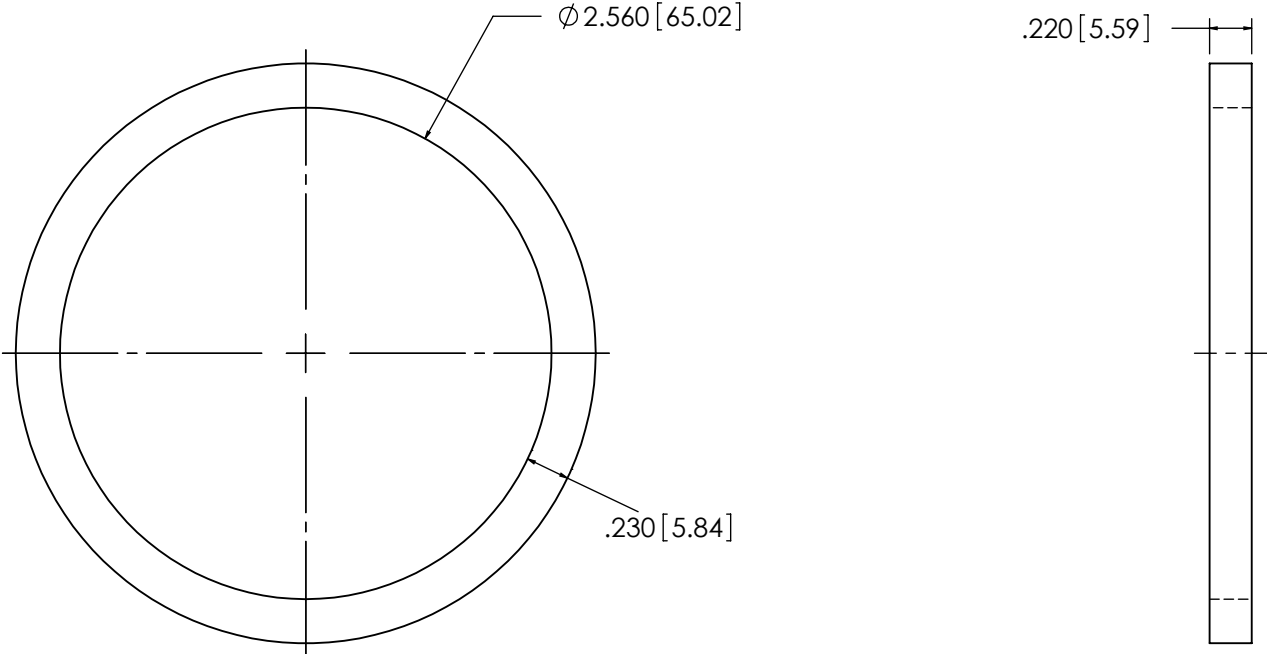


REVISIONS					
REV.	DATE	ECN #	DESCRIPTION	BY	APPROVED



PROPRIETARY AND CONFIDENTIAL
 THE INFORMATION CONTAINED IN THIS DRAWING IS THE SOLE PROPERTY OF H-J ENTERPRISES, INC. ANY REPRODUCTION IN PART OR AS A WHOLE WITHOUT THE WRITTEN PERMISSION OF H-J ENTERPRISES, INC. IS PROHIBITED.

TOLERANCES (EXCEPT AS NOTED)	
DECIMAL	+/- .015"/.38mm
FRACTIONAL	+/-
ANGULAR	+/- 2 Degrees



H - J ENTERPRISES, INC.
 3010 HIGH RIDGE BLVD. HIGH RIDGE, MO. 63049 USA
 PHONE 1-636-677-3421 FAX 1-636-376-1915

NITRILE GASKET 2.56 ID X .23 WD X .22 THK

MATERIAL NITRILE PER ABB PDS# 45351EQ

DRAWN BY	CJT	DATE	9-8-09	SCALE	N.T.S.	DRAWING NO.	GA0182-001
----------	-----	------	--------	-------	--------	-------------	------------