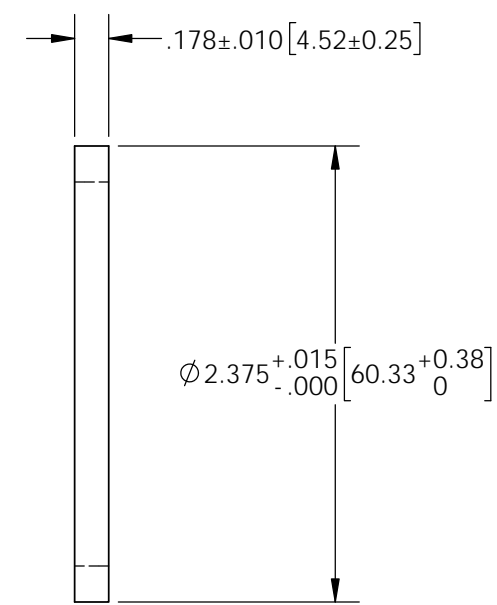


$\phi 2.000 \pm .010 [50.80 \pm 0.25]$



$\phi 2.375^{+.015}_{-.000} [60.33^{+0.38}_0]$

$.178 \pm .010 [4.52 \pm 0.25]$

REVISIONS					
REV.	DATE	ECN #	DESCRIPTION	BY	APP'D
1	10/31/2018		SW REDRAW	MAD	CLS

PROPRIETARY AND CONFIDENTIAL
 THE INFORMATION CONTAINED IN THIS
 DRAWING IS THE SOLE PROPERTY OF
 H-J ENTERPRISES, INC. ANY
 REPRODUCTION IN PART OR AS A WHOLE
 WITHOUT THE WRITTEN PERMISSION OF
 H-J ENTERPRISES, INC. IS
 PROHIBITED.
 REMOVE ALL BURRS & SHARP EDGES

TOLERANCES (EXCEPT AS NOTED)
DECIMAL +/- .032 / .8mm
FRACTIONAL +/-
ANGULAR +/- 2 Degrees



H-J ENTERPRISES, INC.
 3010 HIGH RIDGE BLVD. HIGH RIDGE, MO. 63049 USA
 PHONE 1-636-677-3421 FAX 1-636-376-1915

GASKET

MATERIAL NITRILE DUROMETER 65 +/-5			
CHK'D	CLS	APP'D	DRAWING NO.
		10/31/18	GA0022-001
DRAWN BY CJT		DATE 11/2/99	SCALE N.T.S.