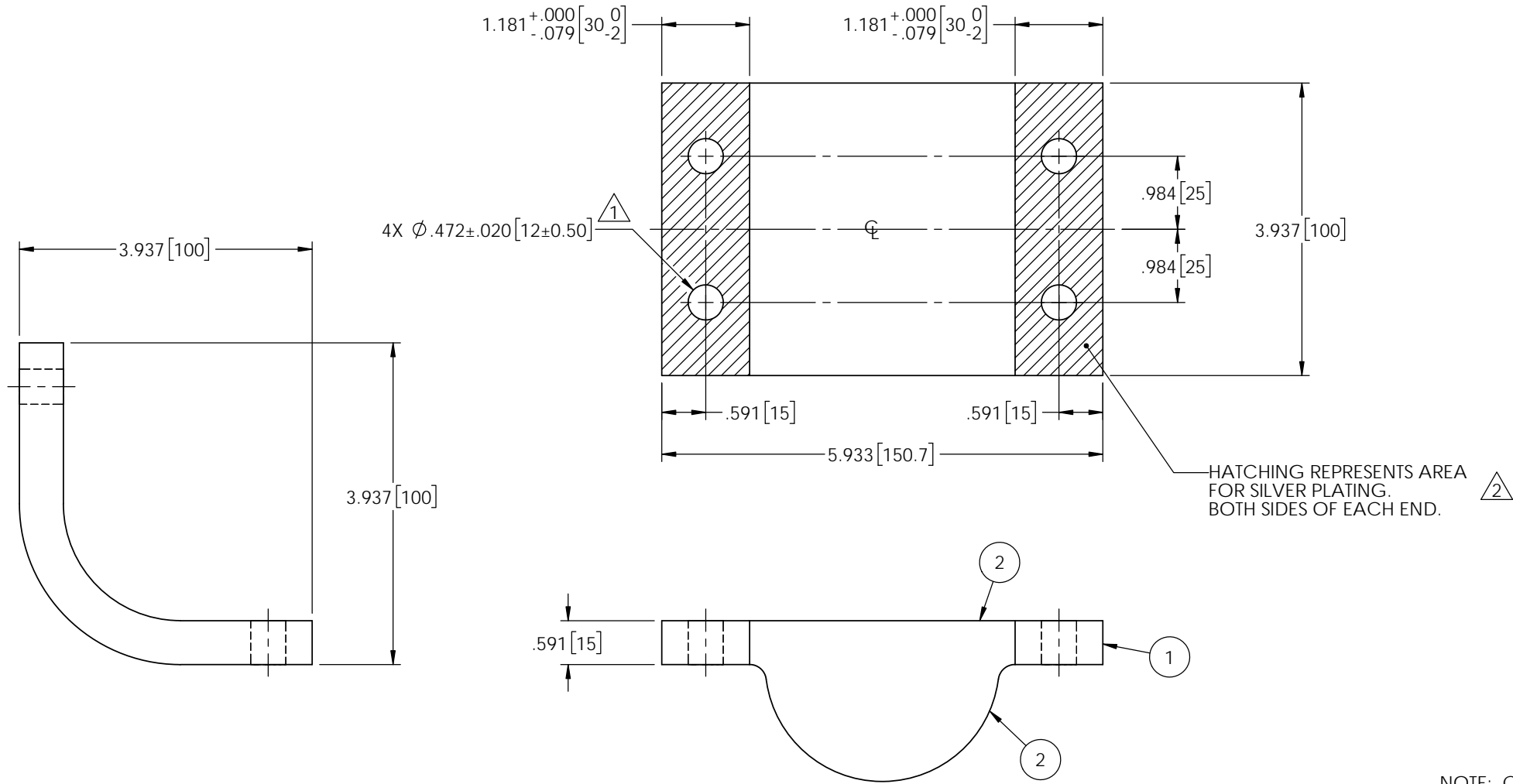


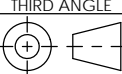
REVISIONS					
REV.	DATE	ECN #	DESCRIPTION	BY	APP'D
1	2/25/2022	PQI F0040491	4X HOLES WERE Ø11mm±0.8	CLS	MP
2	1/6/2023	HJ23-001	REM. SILVER PLATING HATCHING FROM SIDES OF LAMINATION & REVISE CALLOUT	CLS	MP




HATCHING REPRESENTS AREA FOR SILVER PLATING. BOTH SIDES OF EACH END. 2

NOTE: CUSTOMER DRAWING # MB100966

ITEM NO.	DESCRIPTION	QTY.
1	0.05mm THICK COPPER SHUNT	296
2	0.1mm THICK COPPER SHUNT	2

THIRD ANGLE

TOLERANCES (EXCEPT AS NOTED)
 DECIMAL ± .032" / .8mm
 FRACTIONAL ±
 ANGULAR ± 2 Degrees

PROPRIETARY AND CONFIDENTIAL
 THE INFORMATION CONTAINED IN THIS DRAWING IS THE SOLE PROPERTY OF THE H-J FAMILY OF COMPANIES. ANY REPRODUCTION IN PART OR AS A WHOLE WITHOUT THE WRITTEN PERMISSION OF THE H-J FAMILY OF COMPANIES IS PROHIBITED.

QUALITY PRODUCTS

INTERNATIONAL REPUTATION

DRAWN BY CJT DATE 12/29/2016

THE H-J FAMILY OF COMPANIES
 3010 HIGH RIDGE BLVD. HIGH RIDGE, MO. 63049 USA
 PHONE 1-636-677-3421 FAX 1-636-677-7808

COPPER FLEX SHUNT

MATERIAL COPPER C11000, SILVER PLATED

CHK'D CJT APP'D 12/29/16 DRAWING NO. FLEX0122-002
 SCALE N.T.S.