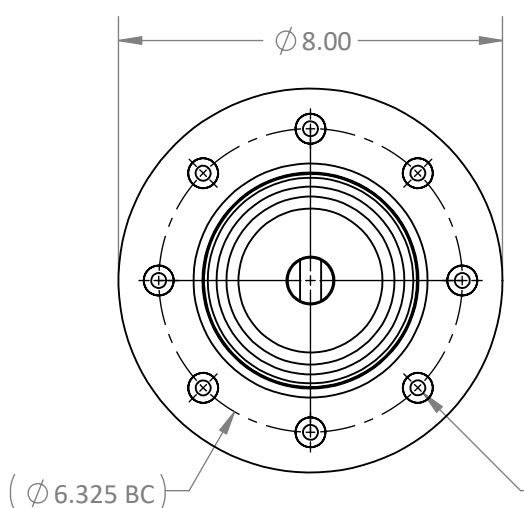
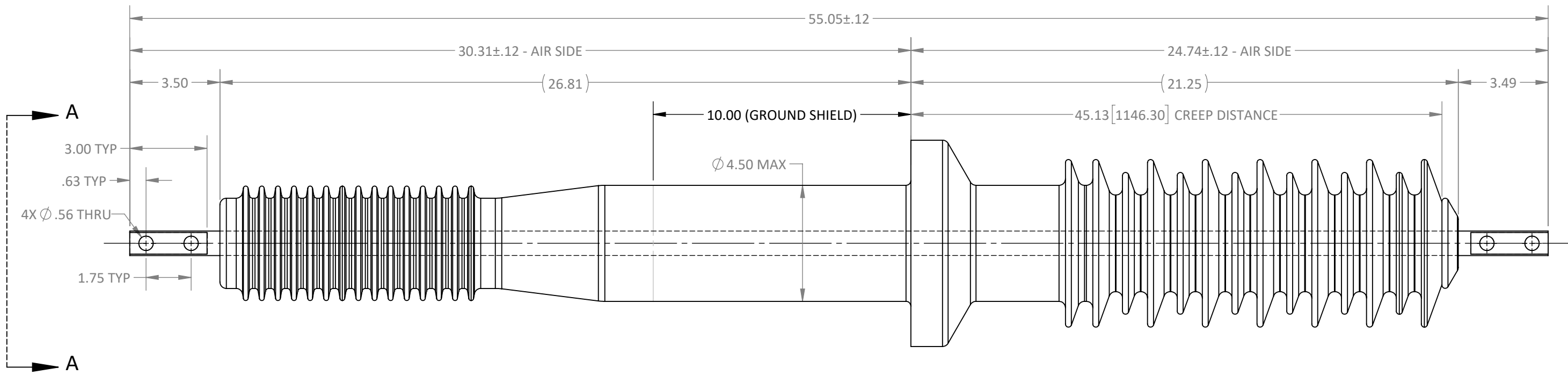


REVISIONS					
REV.	DATE	ECN #	DESCRIPTION	BY	APP'D
1	4/20/2018	HJ18-078	REVISED FREQUENCY WITHSTAND.	CJT	BB

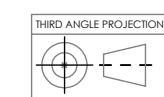


8X 3/8-16 UNC ∇ .63
 ZINC PLATED ST'L INSERTS
 EQ SPCD @ 45° ON ϕ 6.325" BC
 (MOUNTING INSERTS ARE COMMON
 W/ INTERNAL GROUND SHIELD)

- NOTES:
1. ALL CONTACT SURFACES TO BE CLEAN & FREE FROM FLASH
 2. CANTILEVER LOAD SPECIFICATION, BASED ON (STATIC) LOAD APPLIED HORIZONTALLY AT CENTER POINT OF TOP STUD.

- MATERIAL:
1. CYCLOALIPHATIC EPOXY, GRAY (U.V. EXPOSED)
 2. HD ETP C11000 COPPER, TIN PLATED

- SPECIFICATIONS:
1. MANUFACTURED IN ACCORDANCE WITH.....CAN/CSA-C88.1-96 / ANSI C57.19.01-1991
 2. RATED VOLTAGE.....46kV
 3. POWER FREQUENCY WITHSTAND.....80kV
 4. BASIC IMPULSE LEVEL.....200kV INTERNAL/250kV EXTERNAL \triangle 1
 5. NOMINAL CURRENT RATING.....600 AMPS
 6. CREEP DISTANCE.....45.13" (1146mm)
 7. TEMPERATURE CLASSIFICATION.....-50 °C TO +105 °C
 8. CANTILEVER LOAD (ULTIMATE).....400 lbf (1760N)
 9. APPROXIMATE SHIPPING WEIGHT.....63.2 lbs (28.7Kg)

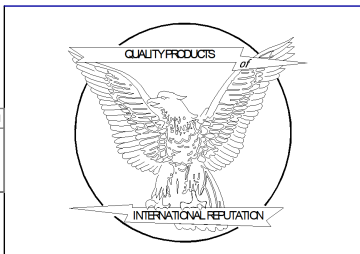


PROPRIETARY AND CONFIDENTIAL
 THE INFORMATION CONTAINED IN THIS DRAWING IS THE SOLE PROPERTY OF H-J INTERNATIONAL, INC. ANY REPRODUCTION IN PART OR AS A WHOLE WITHOUT THE WRITTEN PERMISSION OF H-J INTERNATIONAL, INC. IS STRICTLY PROHIBITED.

BREAK ALL SHARPS UNLESS OTHERWISE NOTED

TOLERANCES (EXCEPT AS NOTED)

ONE PLACE MM	±1.50
TWO PLACE MM	±0.75
TWO PLACE DEC.	±.060
THREE PLACE DEC.	±.030
FRACTIONS	± 1/16"
ANGLES	2°



APPROVED BY	DATE
CHECKED BY CJT	DATE 12/8/2017
DRAWN BY TJF	DATE 12/8/2017
TOOL NO.	T20-600-2
PRODUCT GRP.	2000 SERIES

H-J INTERNATIONAL, INC.
 3010 HIGH RIDGE BLVD, HIGH RIDGE, MO. 63049 USA
 PHONE 1-636-677-3421 FAX 1-636-376-1915

46kV / 600A
POWER APPARATUS BUSHING

DRAWING NO. **20-600-200**

SCALE 1:4	SIZE B	REV. 1	SHEET 1 OF 1
-----------	--------	--------	--------------