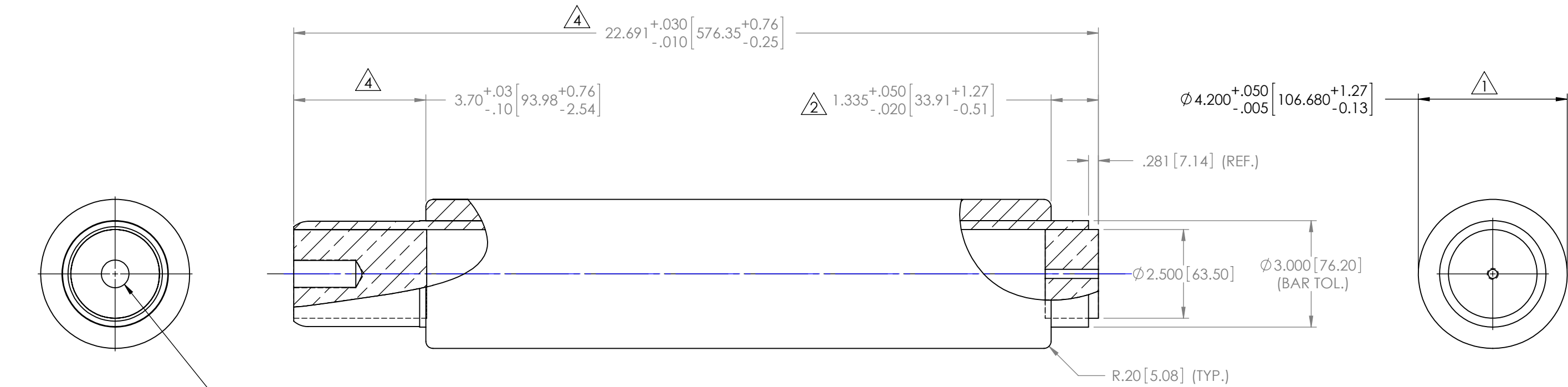


REVISIONS				
ECN	REV.	DESCRIPTION	DATE	APPROVED
	1	ADDED CONDUCTOR CUSHION, ADDED TOL. TO EPOXY DIAMETER	9/30/2008	DB
	2	TOLERANCE ON 1.335" DIMENSION WAS +/- .020"	8/14/2003	DB
	3	ADDED NOTE 3.	3/25/2005	DB
	4	ADDED TOLERANCE TO 7.92" & 22.691" DIMENSION - UPDATED DRAWING TEMPLATE TO HJI	12/1/2008	DB
HJ10-154	5	MATERIAL WAS "CYCLOALIPHATIC EPOXY"	9/21/2010	EDZ



TAPPED HOLE FOR
3/4 - 10TPI CLASS 2B
UNC HELICOIL. INSERT LENGTH
IS 1.5 DEEP (1.25 MIN.
USABLE THREAD)

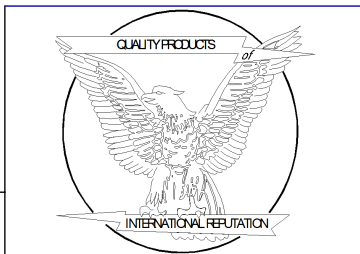
- NOTES:
- 1. ALL CONTACT SURFACES TO BE CLEAN & FREE FROM FLASH
 - 2. SEE COPPER ASSEMBLY DRAWING 18-101-100 C01 FOR CONDUCTOR DETAILS
 - 3. MAXIMUM RAISED DIAMETER ON 2.00" KNURL UNDER EPOXY IS .015"
- MATERIAL:
- 1. E04 - INDOOR EPOXY SYSTEM, GREY.
 - 2. HD ETP CU, C11000 GRADE COPPER, SILVER PLATED

- SPECIFICATIONS:
- 1. MANUFACTURED IN ACCORDANCE WITH IEC 137:1995
 - 2. RATED VOLTAGE 38kV
 - 3. POWER FREQUENCY WITHSTAND 80kV
 - 4. BASIC IMPULSE LEVEL 170KV
 - 5. PARTIAL DISCHARGE 22KV < 10pC, 40KV < 100pC
 - 6. NOMINAL CURRENT RATING 2000 AMPS
 - 7. TEMPERATURE CLASSIFICATION..... -5°C INDOOR

PROPRIETARY AND CONFIDENTIAL
THE INFORMATION CONTAINED IN THIS DRAWING IS THE SOLE PROPERTY OF H-J INTERNATIONAL, INC. ANY REPRODUCTION IN PART OR AS A WHOLE WITHOUT THE WRITTEN PERMISSION OF H-J INTERNATIONAL, INC. IS STRICTLY PROHIBITED.

BREAK ALL SHARPS UNLESS OTHERWISE NOTED

TOLERANCES (EXCEPT AS NOTED)	
ONE PLACE MM	±1.50
TWO PLACE MM	±0.75
TWO PLACE DEC.	±.060
THREE PLACE DEC.	±.030
FRACTIONS	± 1/16"
ANGLES	2°



APPROVED BY	DB	DATE	9/30/2002
CHECKED BY	RM	DATE	9/30/2002
DRAWN BY	DB	DATE	9/18/2002
TOOL NO.	T18-001-1		
PRODUCT GRP.	1800 SERIES		

H-J INTERNATIONAL, INC.
3010 HIGH RIDGE BLVD, HIGH RIDGE, MO. 63049 USA
PHONE 1-636-677-3421 FAX 1-636-376-1915

W-VAC V.C.B. (38kV)
BOTTOM CONDUCTOR ASSY. - 2000A
(EATON P/N 4D13611G03)

DRAWING NO.	18-001-101								
SCALE	1:3	SIZE	B	REV.	5	SHEET	1	OF	1