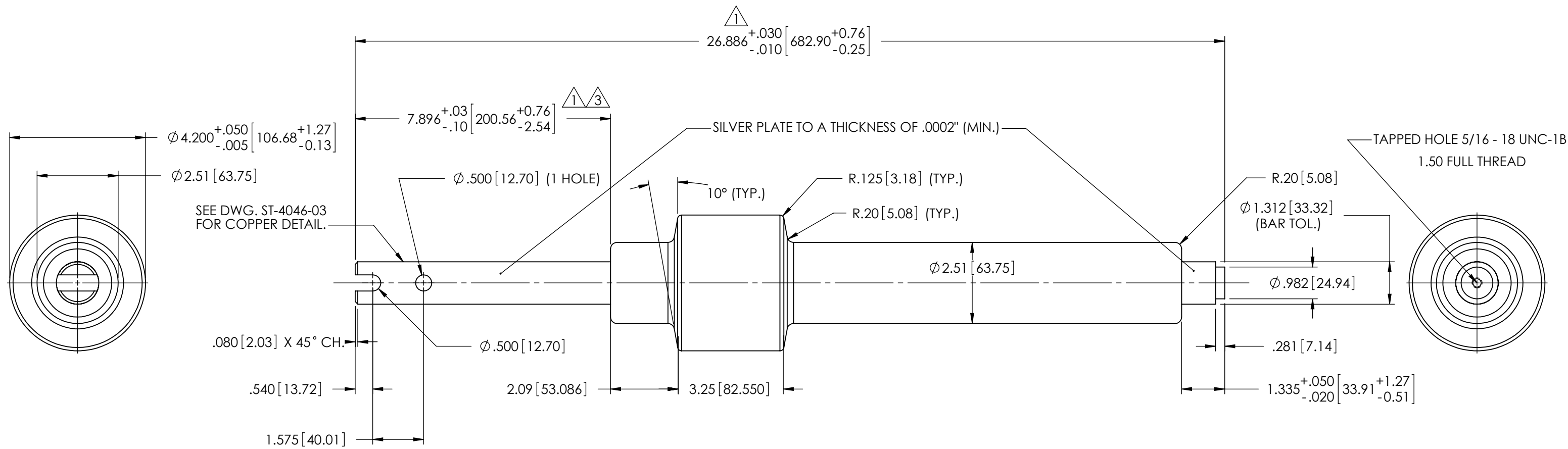


REVISIONS				
ECN	REV.	DESCRIPTION	DATE	APPROVED
	1	ADDED TOLERANCE TO 7.92" & 26.886" DIMENSION - UPDATED DRAWING TEMPLATE TO HJI	12/1/2008	DB
HJ10-154	2	MATERIAL WAS "CYCLOALIPHATIC EPOXY"	9/21/2010	EDZ
HJ13-156	3	7.896" WAS 7.92"	7/2/2013	BLB



NOTES:
 1. ALL CONTACT SURFACES TO BE CLEAN & FREE FROM FLASH

MATERIAL:
 2. E04 - INDOOR EPOXY SYSTEM, GREY.
 3. HD ETP CU, C11000 GRADE COPPER, SILVER PLATED

SPECIFICATIONS:
 1. MANUFACTURED IN ACCORDANCE WITH IEC 137:1995
 2. RATED VOLTAGE 38kV
 3. POWER FREQUENCY WITHSTAND 80kV
 4. BASIC IMPULSE LEVEL 170kV
 5. PARTIAL DISCHARGE 22KV < 10pC, 40KV < 100pC
 6. NOMINAL CURRENT RATING 1250 AMPS
 7. TEMPERATURE CLASSIFICATION..... -5°C INDOOR

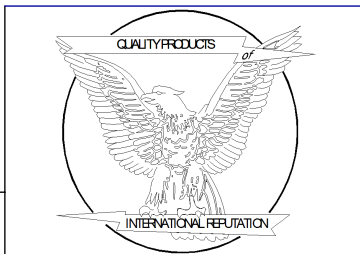
PROPRIETARY AND CONFIDENTIAL

THE INFORMATION CONTAINED IN THIS DRAWING IS THE SOLE PROPERTY OF H-J INTERNATIONAL, INC. ANY REPRODUCTION IN PART OR AS A WHOLE WITHOUT THE WRITTEN PERMISSION OF H-J INTERNATIONAL, INC. IS STRICTLY PROHIBITED.

BREAK ALL SHARPS UNLESS OTHERWISE NOTED

TOLERANCES (EXCEPT AS NOTED)

ONE PLACE MM ±1.50
 TWO PLACE MM ±0.75
 TWO PLACE DEC. ±.020
 THREE PLACE DEC. ±.010
 FRACTIONS ± 1/16"
 ANGLES 1°



APPROVED BY CJT DATE 07/02/2013
 CHECKED BY CJT DATE 07/02/2013
 DRAWN BY DB DATE 11/19/2000
 TOOL NO. T18-001-0
 PRODUCT GRP. 1800 SERIES

H-J INTERNATIONAL, INC.
 3010 HIGH RIDGE BLVD, HIGH RIDGE, MO. 63049 USA
 PHONE 1-636-677-3421 FAX 1-636-376-1915

W-VAC V.C.B. (38kV)
 TOP CONDUCTOR BUSHING ASSY. - 1250A
 (EATON P/N 4D13615G02)

DRAWING NO. **18-001-000**

SCALE 1:3 SIZE B REV. 3 SHEET 1 OF 1