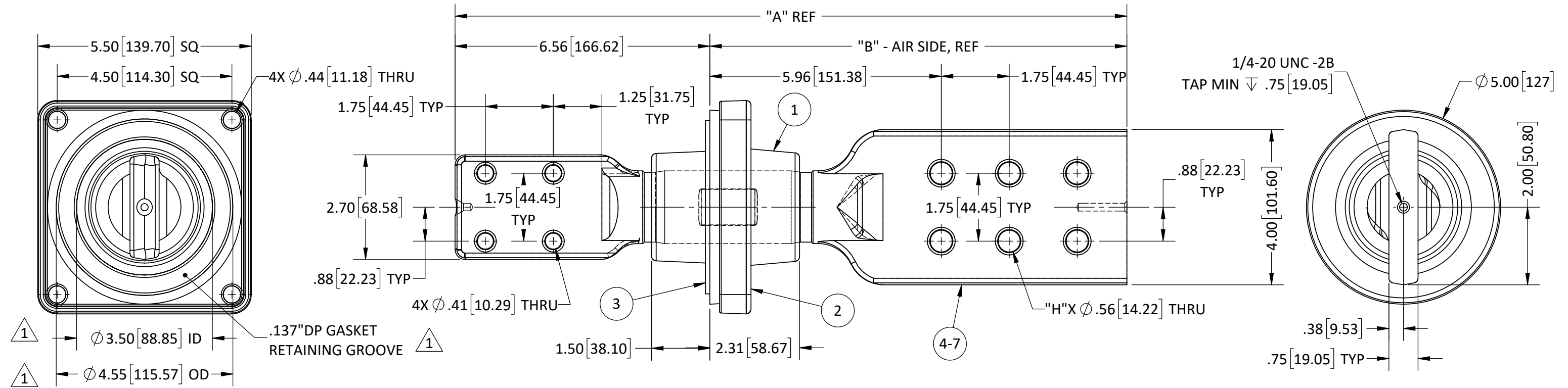
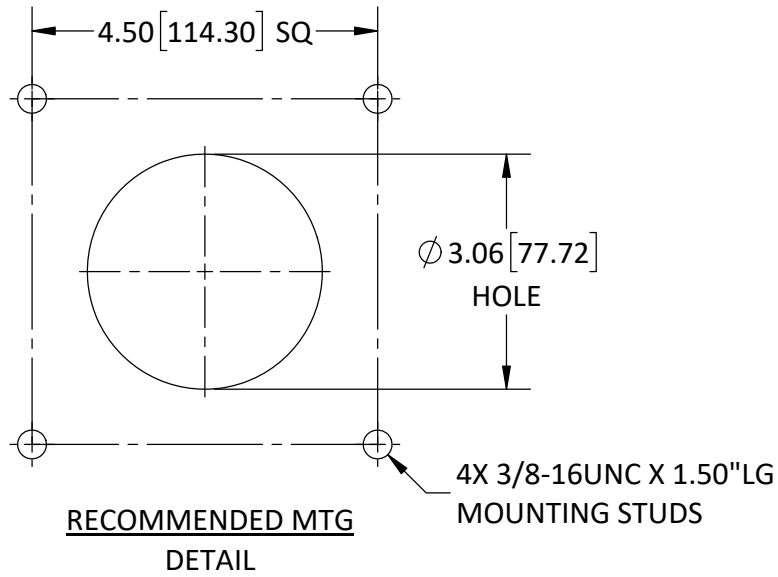
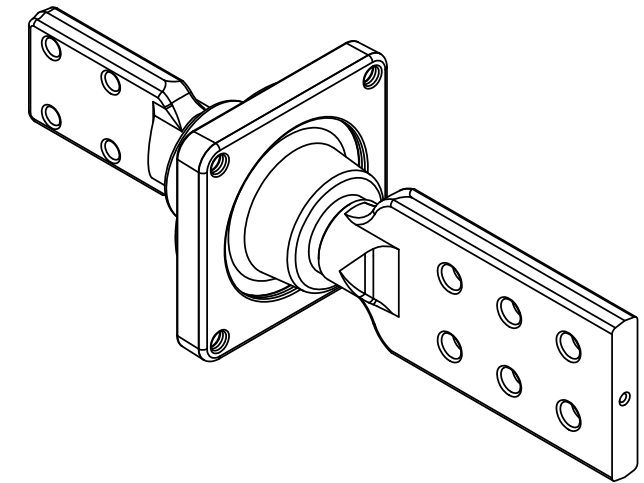


REVISIONS					
REV.	DATE	ECN #	DESCRIPTION	BY	APP'D
1	8/17/2021	HJ20-224	GASKET GROOVE WAS 3/16" DP, Ø 3.75" ID, Ø 4.50" OD	MAD	CLS

- NOTES:**
1. ALL UNSPECIFIED RADII TO BE R0.188
 2. ALL CONTACT SURFACES TO BE CLEAN & FREE FROM FLASH
 3. RATINGS BASED ON SIDE MOUNTED BUSHINGS WITH OIL IMMERSSED SHANK AND SUITABLE TERMINATION AND LEAD CONNECTIONS

- MATERIAL:**
1. E04 - INDOOR EPOXY SYSTEM, GREY
 2. IN-LINE SPADE - A356 ALUM - TIN PLATED
 3. ALUMINUM CLAMP

- SPECIFICATIONS:**
1. BASIC IMPULSE LEVEL45kV BIL
 2. CONTINUOUS CURRENT RATING, ALUM.....3150 AMPS
 3. TEMPERATURE CLASSIFICATION.....-40 °C TO 120 °C
 4. APPROXIMATE WEIGHTSEE TABLE



EPC PART #	DIM "A"	DIM "B"	"H"	WGHT
EPC10-512-001E01T-10	17.30	10.74	6	6.41
EPC10-512-002E01T-10	19.05	12.49	8	6.86
EPC10-512-004E01T-10	22.55	15.99	12	7.77
EPC10-512-006E01T-10	26.05	19.49	16	8.67

THIRD ANGLE PROJECTION

PROPRIETARY AND CONFIDENTIAL

THE INFORMATION CONTAINED IN THIS DRAWING IS THE SOLE PROPERTY OF H-J INTERNATIONAL, INC. ANY REPRODUCTION IN PART OR AS A WHOLE WITHOUT THE WRITTEN PERMISSION OF H-J INTERNATIONAL, INC. IS STRICTLY PROHIBITED.

TOLERANCES (EXCEPT AS NOTED)

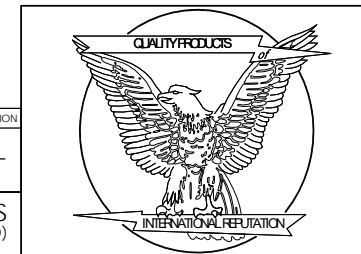
TWO PLACE ±.060[1.52]

THREE PLACE ±.030[0.76]

FRACTIONS ± 1/16"

ANGLES ±2°

BREAK ALL SHARPS UNLESS OTHERWISE NOTED



H-J INTERNATIONAL, INC.
3010 HIGH RIDGE BLVD, HIGH RIDGE, MO. 63049 USA
PHONE 1-636-677-3421 FAX 1-636-376-1915

2.5kV/3150A

LV BUSHING

(ALUMINUM CONDUCTOR)

APPROVED BY --- DATE --/--/----

CHECKED BY --- DATE --/--/----

DRAWN BY TJF DATE 4/01/2019

TOOL NO. 10-504-1

PRODUCT GRP. -

DRAWING NO. 10-512-001-10

SCALE 1:4 SIZE B REV. 1 SHEET 1 OF 1