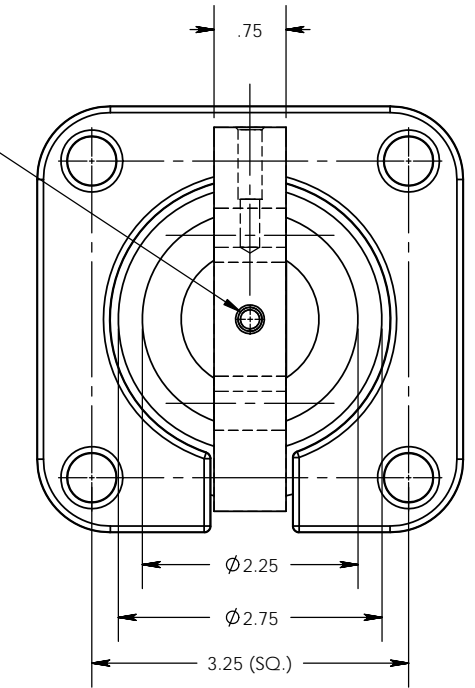
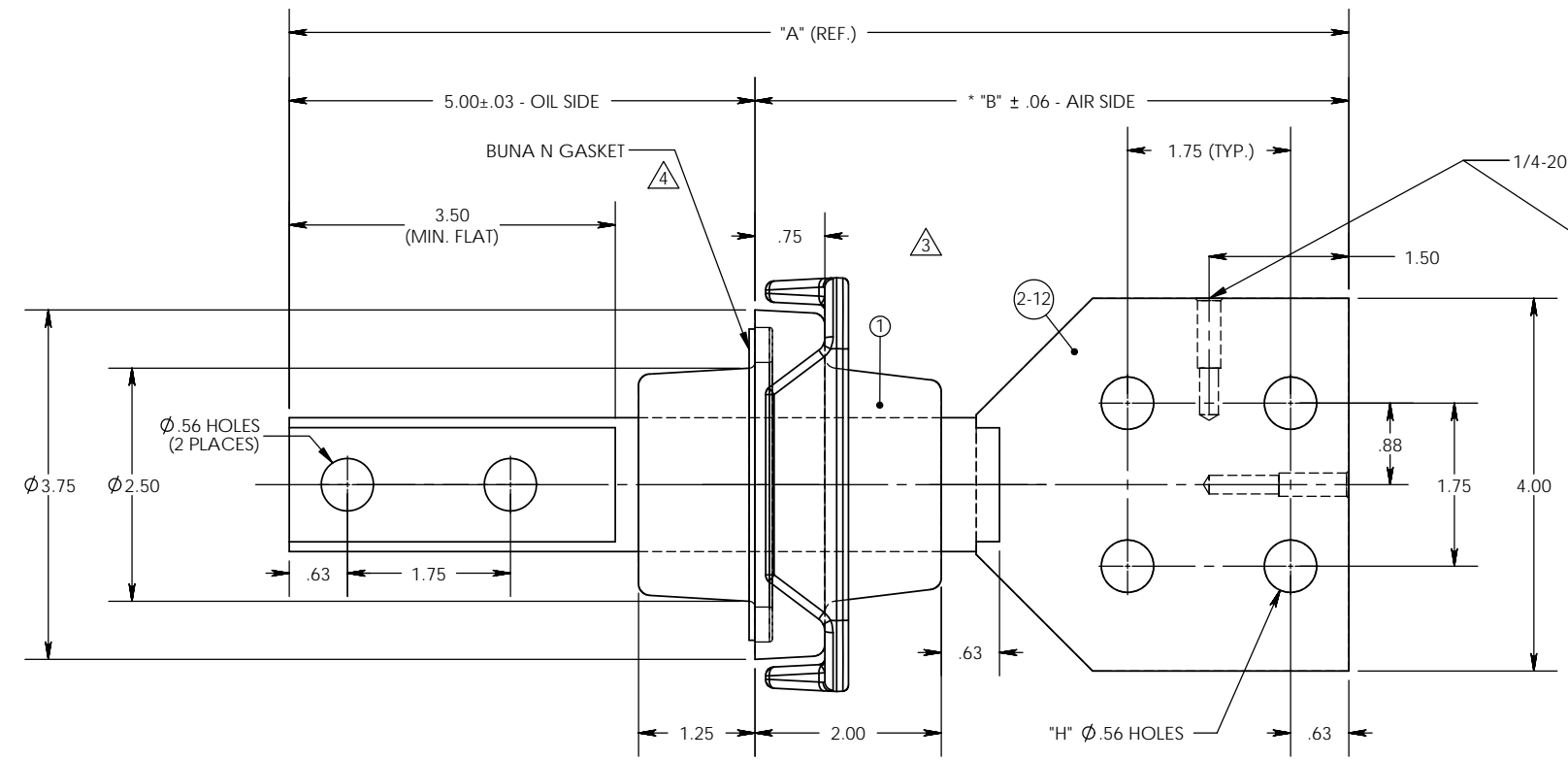
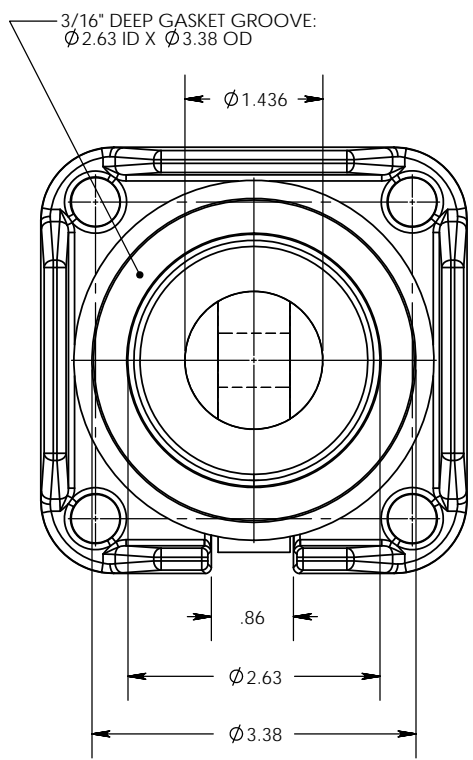


- NOTES:
1. ALL UNSPECIFIED RADII TO BE R0.125
 2. ALL CONTACT SURFACES TO BE CLEAN & FREE FROM FLASH
 3. RATINGS BASED ON SIDE MOUNTED BUSHINGS WITH OIL IMMERSED SHANK AND SUITABLE TERMINATION AND LEAD CONNECTIONS
 4. STANDARD GASKET THICKNESS IS .25", WITH .31" THICKNESS AVAILABLE BY REQUEST.
- MATERIAL:
1. E01 - BISPHENOL-A EPOXY, GREY
 2. E07 - CYCLOALPHATIC EPOXY, GREY (UV EXPOSED)
 3. HD ETP C11000 COPPER (CONDUCTOR), TIN PLATED
 4. CLAMP - ALUMINUM TENZALLOY OR A356-T6

- SPECIFICATIONS:F
1. BASIC IMPULSE LEVEL 30 kV
 2. CURRENT RATING 3100 AMPS
 3. TEMPERATURE RANGE (E01)..... -40°C TO 105°C
(E07)..... -40°C TO 105°C

REVISIONS					
REV.	DATE	ECN#	DESCRIPTION	BY	APPROVED
1	2/17/03		GASKET GROOVE WAS 1/8" DEEP. ADDED TAPPED HOLE FOR ALL SPADE CONFIGURATIONS.	RM	DB
2	8/3/06		ADDED 1/4-20 UNC HOLE TO TOP EDGE OF SPADE	RM	DB
3	9/20/2011	HJ11-166	ADDED 1 PIECE CLAMP	CMH	JFS
4	1/25/2017	HJ17-022	REM. STUD, CLAMP, & GASKET FROM TABLE, ADDED GASKET CALLOUT & THICKNESS NOTE	CLS	BLB
5	8/28/2019	HJ18-215	REVISED TEMPERATURE CLASSIFICATION	MAD	CJT
6	8/28/2019	PQI 23621	ADDED E07 TO MATERIAL AND TEMP CLASSIFICATION NOTES	MAD	CJT



ITEM NO.	QTY.	PART NO.	DESCRIPTION	EPC. PART NO.	DIM "A"	DIM "B"	"H"
1	1	10-090	BUSHING, BIS-A EPOXY				
2	1		SPADE (EXT) 4-HOLE, COPPER	10-090-027E01T	11.38	6.38	4
3	1		SPADE (EXT) 6-HOLE, COPPER	10-090-028E01T	13.13	8.13	6
4	1		SPADE (EXT) 8-HOLE, COPPER	10-090-029E01T	14.88	9.88	8
5	1		SPADE (EXT) 10-HOLE, COPPER	10-090-030E01T	16.63	11.63	10
6	1		SPADE (EXT) 12-HOLE, COPPER	10-090-031E01T	18.38	13.38	12
7	1		SPADE (EXT) 14-HOLE, COPPER	10-090-032E01T	20.13	15.13	14
8	1		SPADE (EXT) 16-HOLE, COPPER	10-090-033E01T	21.88	16.88	16
9	1		SPADE (EXT) 18-HOLE, COPPER	10-090-034E01T	23.63	18.63	18
10	1		SPADE (EXT) 20-HOLE, COPPER	10-090-035E01T	25.38	20.38	20
11	1		SPADE (EXT) 22-HOLE, COPPER	10-090-036E01T	27.13	22.13	22
12	1		SPADE (EXT) 24-HOLE, COPPER	10-090-037E01T	28.88	23.88	24

PROPRIETARY AND CONFIDENTIAL

THE INFORMATION CONTAINED IN THIS DRAWING IS THE SOLE PROPERTY OF H-J INTERNATIONAL, INC. ANY REPRODUCTION IN PART OR AS A WHOLE WITHOUT THE WRITTEN PERMISSION OF H-J INTERNATIONAL, INC. IS STRICTLY PROHIBITED.

BREAK ALL SHARPS UNLESS OTHERWISE NOTED

TOLERANCES (EXCEPT AS NOTED)

ONE PLACE MM ±1.50
 TWO PLACE MM ±0.75
 TWO PLACE DEC. ±0.60
 THREE PLACE DEC. ±0.30
 FRACTIONS ± 1/16"
 ANGLES 2°



H-J INTERNATIONAL, INC.
 3010 HIGH RIDGE BLVD, HIGH RIDGE, MO. 63049 USA
 PHONE 1-636-677-3421 FAX 1-636-376-1915

1000 SERIES - 1.2kV
 LV BUSHING
 3100 AMP (MAX.)

DRAWING NO. **10-090-027**

SCALE 1:2 SIZE B REV. 6 SHEET 1 OF 1