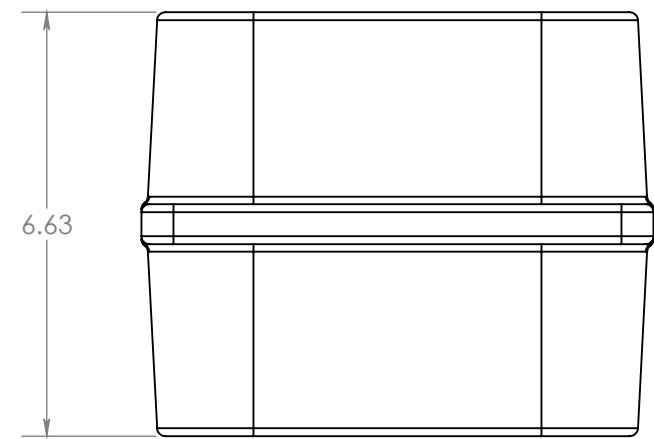
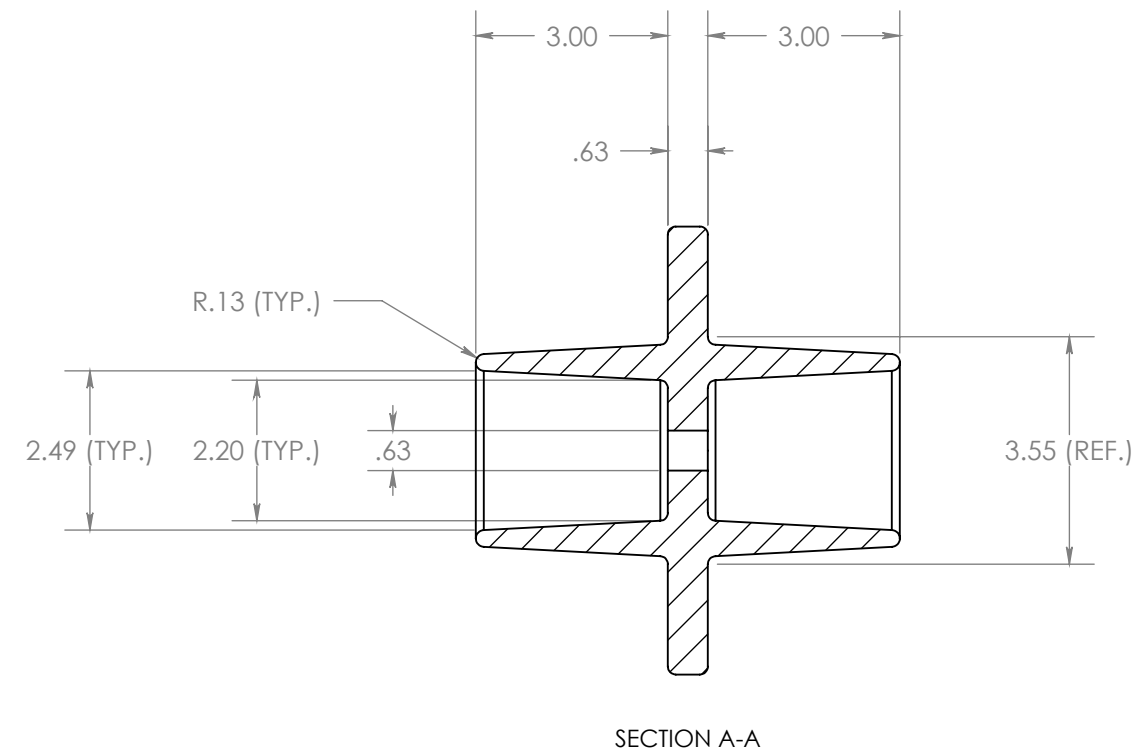
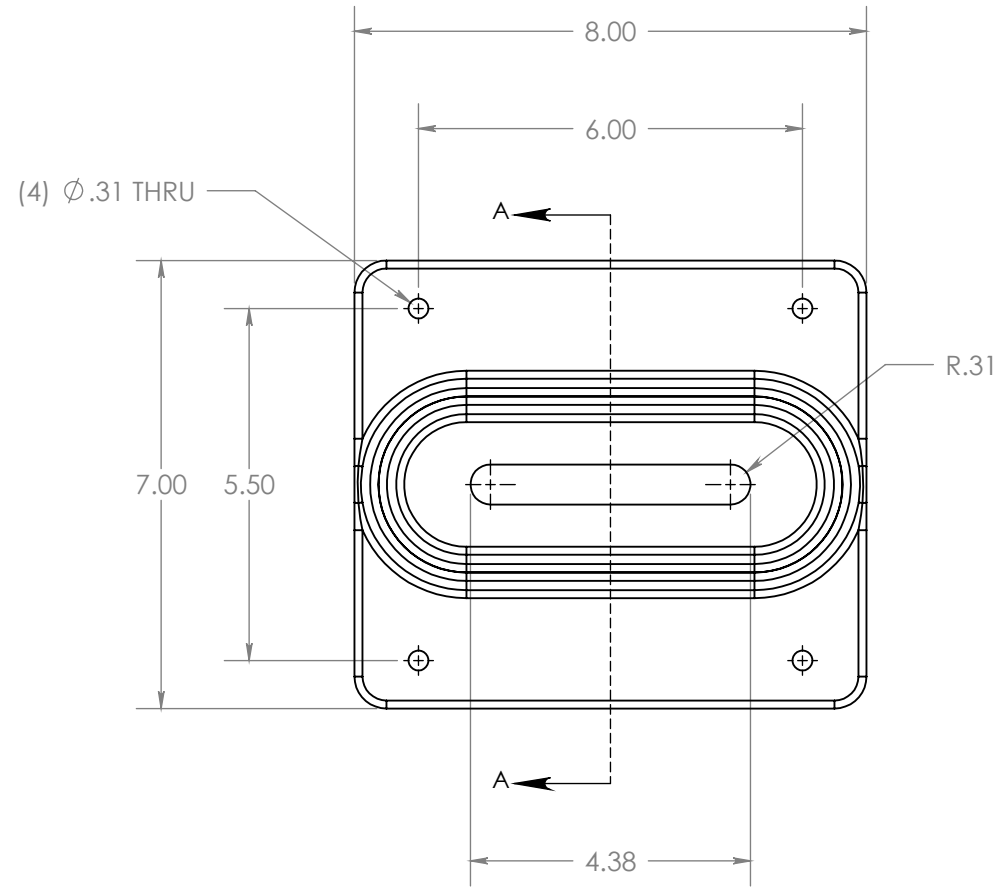


REVISIONS					
REV.	DATE	ECN#	DESCRIPTION	BY	APPROVED
1	1/22/2009		UPDATED DRAWING TO HJI TEMPLATE.	JH	DB



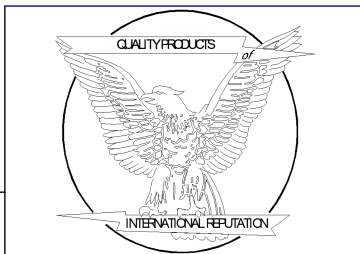
MATERIAL:
1. BISPHENOL-A EPOXY (INDOOR, GREY)

- SPECIFICATIONS:
1. RATED VOLTAGE 15kV
 2. BASIC IMPULSE LEVEL 95KV
 3. RECOMMENDED OPENING 3.63" X 8.00
 4. TEMPERATURE CLASSIFICATION -50°C TO 105°C
 5. APPROXIMATE WEIGHT 5.0 LBS

PROPRIETARY AND CONFIDENTIAL
THE INFORMATION CONTAINED IN THIS DRAWING IS THE SOLE PROPERTY OF H-J INTERNATIONAL, INC. ANY REPRODUCTION IN PART OR AS A WHOLE WITHOUT THE WRITTEN PERMISSION OF H-J INTERNATIONAL, INC. IS STRICTLY PROHIBITED.

TOLERANCES (EXCEPT AS NOTED)

ONE PLACE MM	±1.50
TWO PLACE MM	±0.75
TWO PLACE DEC.	±.060
THREE PLACE DEC.	±.030
FRACTIONS	± 1/16"
ANGLES	2°



APPROVED BY	DB	DATE	6/16/2002
CHECKED BY	RM	DATE	6/16/2002
DRAWN BY	DB	DATE	6/16/2002
TOOL NO.	T07-206-0		
PRODUCT GRP.	700 SERIES		

H-J INTERNATIONAL, INC.
3010 HIGH RIDGE BLVD, HIGH RIDGE, MO. 63049 USA
PHONE 1-636-677-3421 FAX 1-636-376-1915

15kV WALL BUSHING
0.63" X 4.38"
WINDOW

DRAWING NO. **07-206-003**

SCALE	1:3	SIZE	B	REV.	1	SHEET	1	OF	1
-------	-----	------	---	------	---	-------	---	----	---