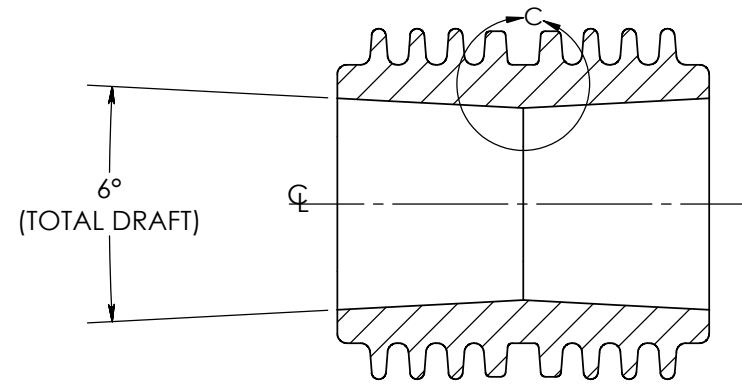
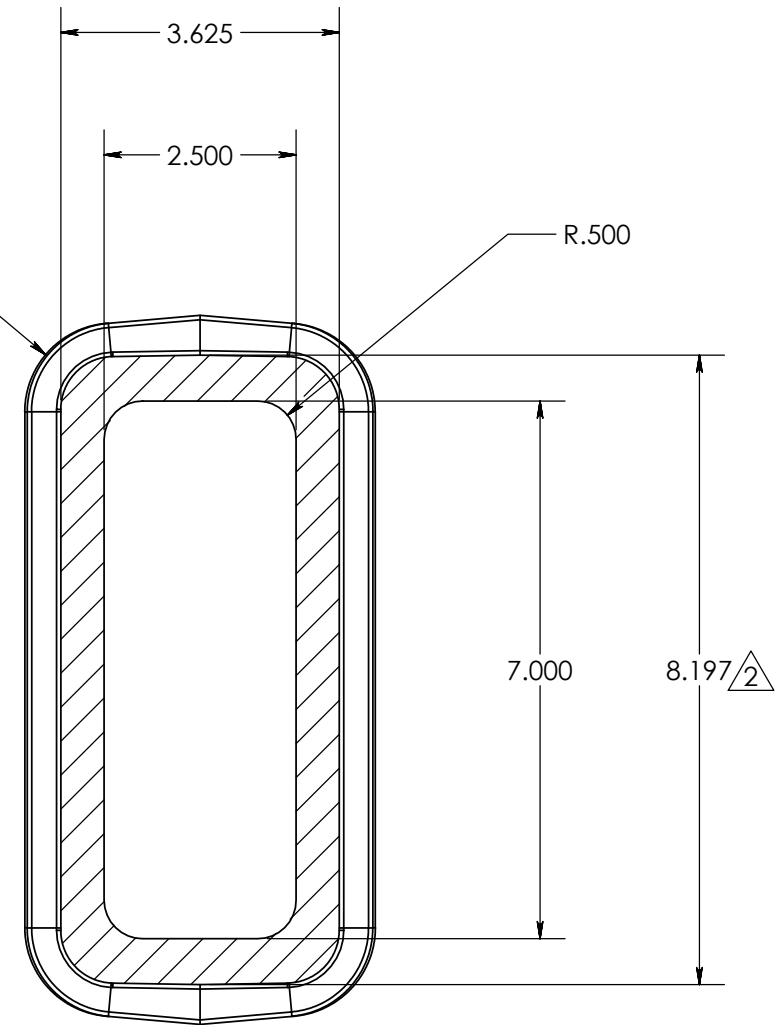
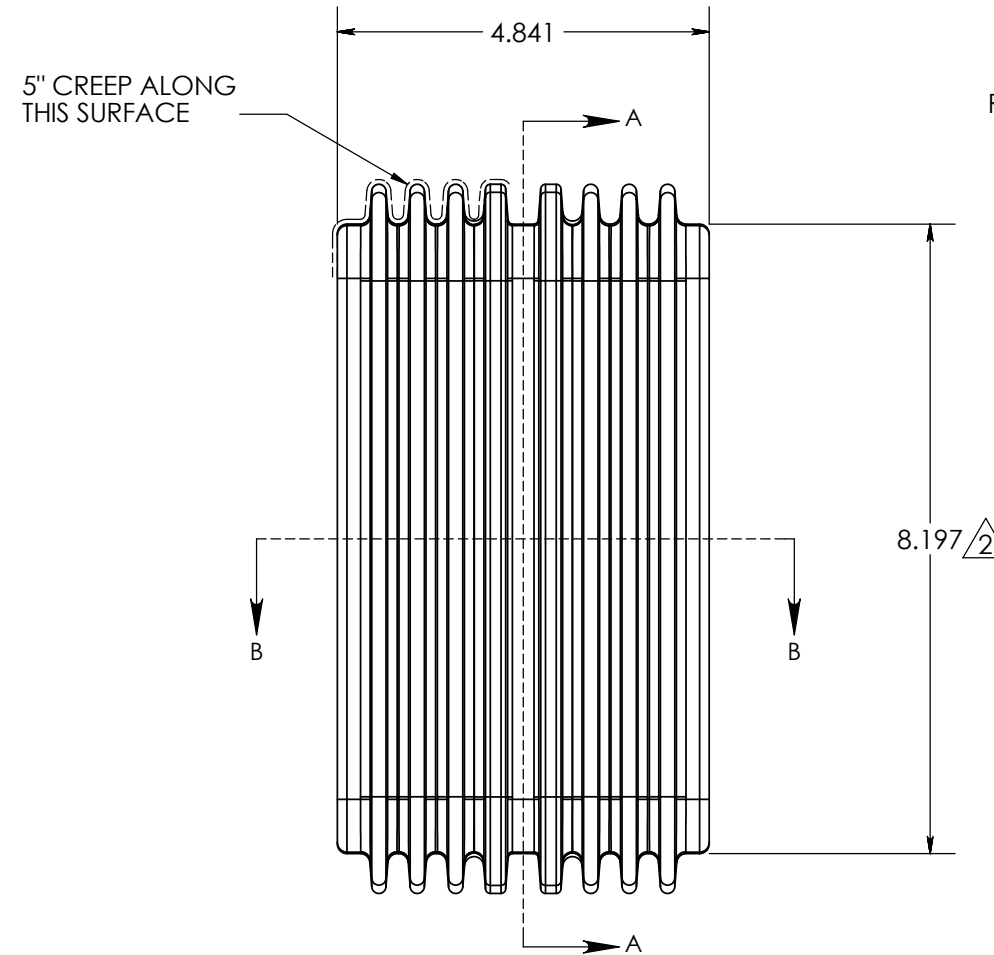
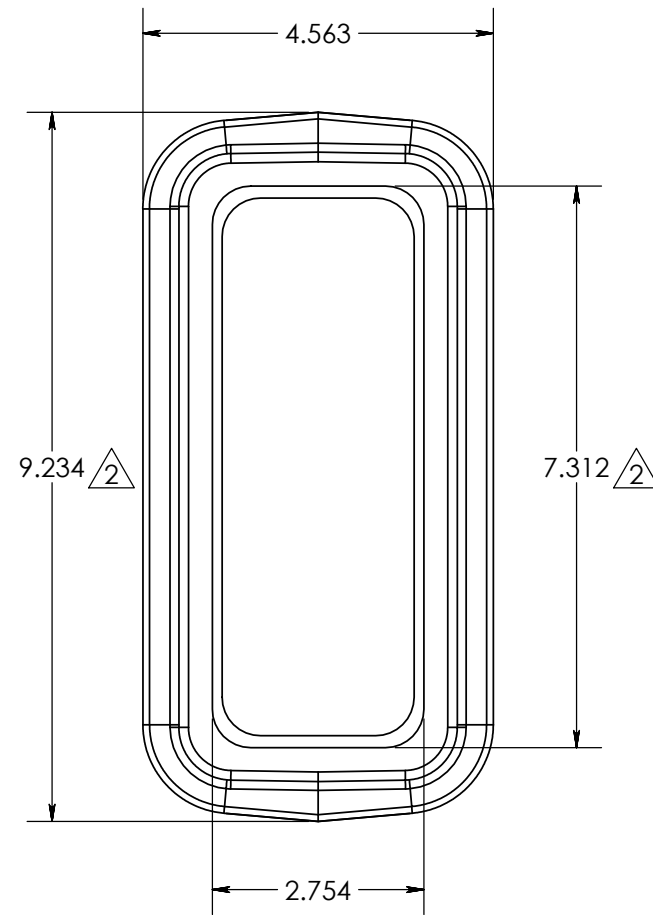


DETAIL C
SCALE 1 : 2



SECTION B-B

REVISIONS					
REV.	DATE	ECN#	DESCRIPTION	BY	APPRD
1	1/22/2009		UPDATED DRAWING TO HJI TEMPLATE.	JH	DB
2	10/24/2013	HJ13-270	CHG'D DIM'S, 9.234" WAS 9.063", 7.312" WAS 7.254", 8.197" WAS 8.125"	CLS	BLB
3	10/23/2015	PQ112299	ADDED MAT'L NOTE 2: CYCLOALIPHATIC EPOXY	TJF	BLB



SECTION A-A

NOTES:
1. VOLTAGE RATING VARIES WITH MOUNTING PLATE MATERIALS, PROXIMITY TO GROUND AND PHASE TO PHASE CLEARANCES

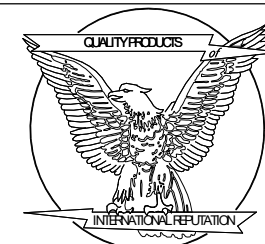
MATERIAL:
1. BISPENOL-A EPOXY (INDOOR, GREY)
2. CYCLOALIPHATIC EPOXY (OUTDOOR, GREY)

SPECIFICATIONS:
1. RECOMMENDED OPENING 3.63" X 8.13"
2. TEMPERATURE CLASSIFICATION..... -50°C TO 105°C
3. APPROXIMATE WEIGHT 4.5 LBS

PROPRIETARY AND CONFIDENTIAL
THE INFORMATION CONTAINED IN THIS DRAWING IS THE SOLE PROPERTY OF H-J INTERNATIONAL, INC. ANY REPRODUCTION IN PART OR AS A WHOLE WITHOUT THE WRITTEN PERMISSION OF H-J INTERNATIONAL, INC. IS STRICTLY PROHIBITED.

BREAK ALL SHARPS UNLESS OTHERWISE NOTED

TOLERANCES (EXCEPT AS NOTED)	
ONE PLACE MM	±1.50
TWO PLACE MM	±0.75
TWO PLACE DEC.	±.060
THREE PLACE DEC.	±.030
FRACTIONS	± 1/16"
ANGLES	2°



APPROVED BY	CJT	DATE	10/24/2013
CHECKED BY	CJT	DATE	10/24/2013
DRAWN BY	DB	DATE	2/18/2004
TOOL NO.	T07-203-2		
PRODUCT GRP.	700 SERIES		

H-J INTERNATIONAL, INC.
3010 HIGH RIDGE BLVD, HIGH RIDGE, MO. 63049 USA
PHONE 1-636-677-3421 FAX 1-636-376-1915

EPOXY INSULATING SLEEVE
2.50" X 7.00"
WINDOW

DRAWING NO. **07-203-200**

SCALE 1:2.5 SIZE B REV. 3 SHEET 1 OF 1