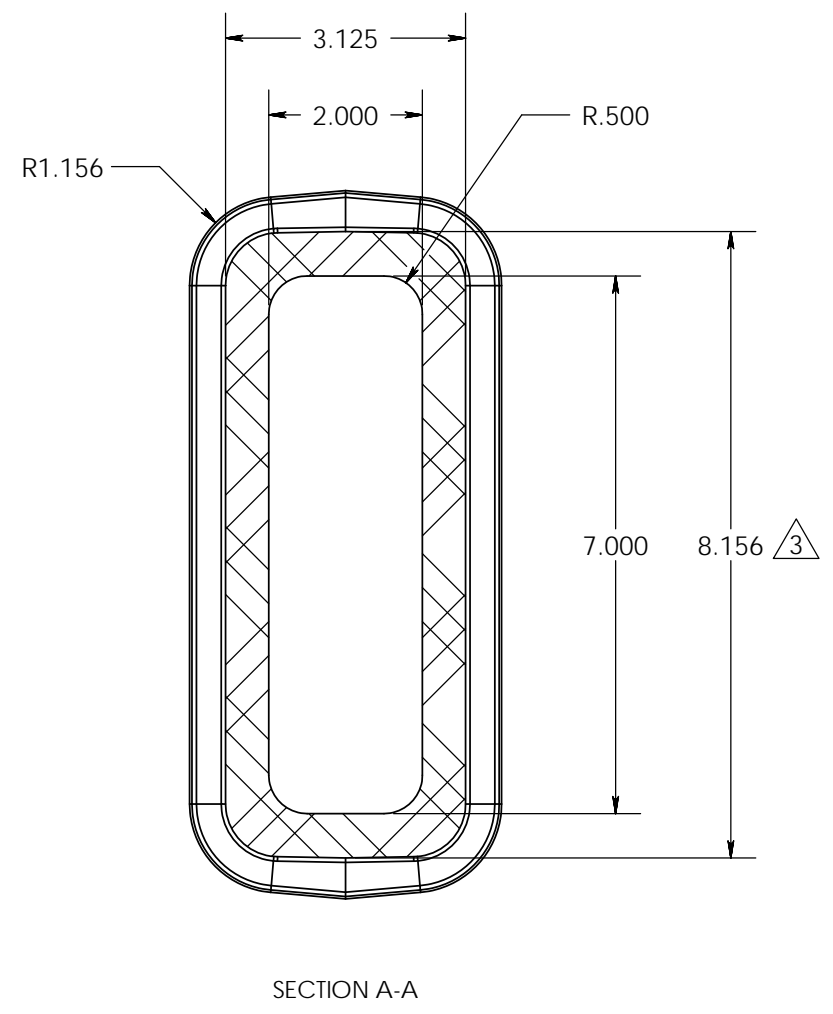
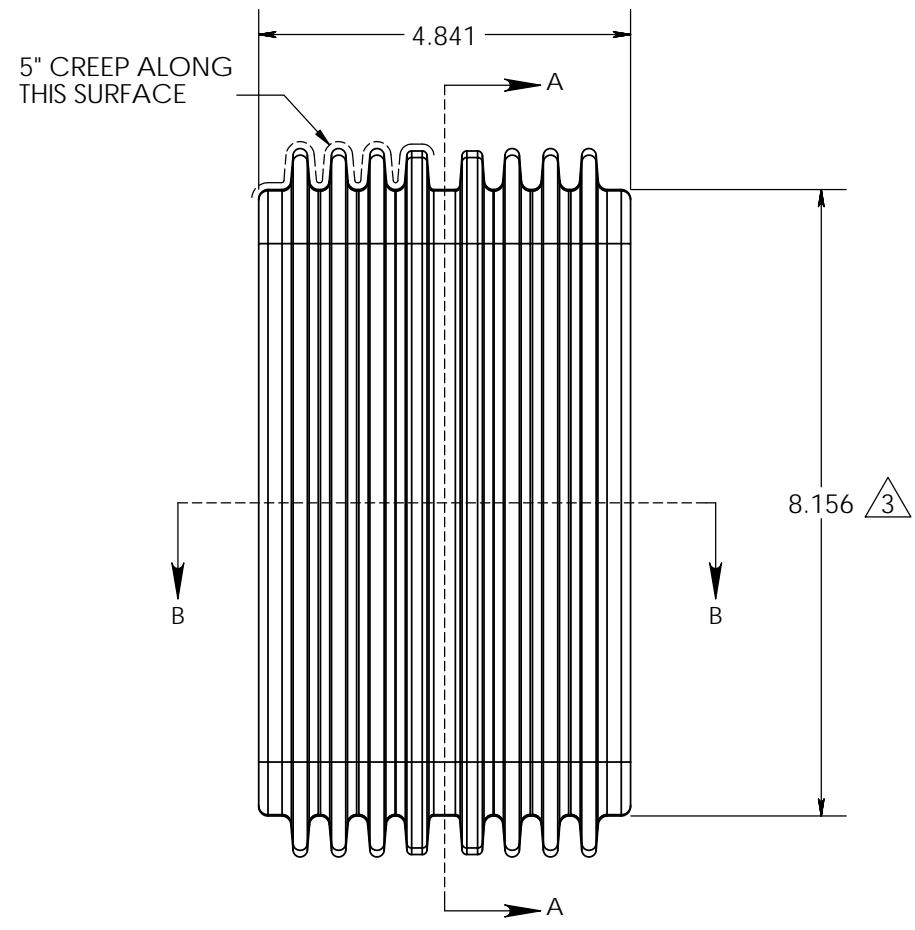
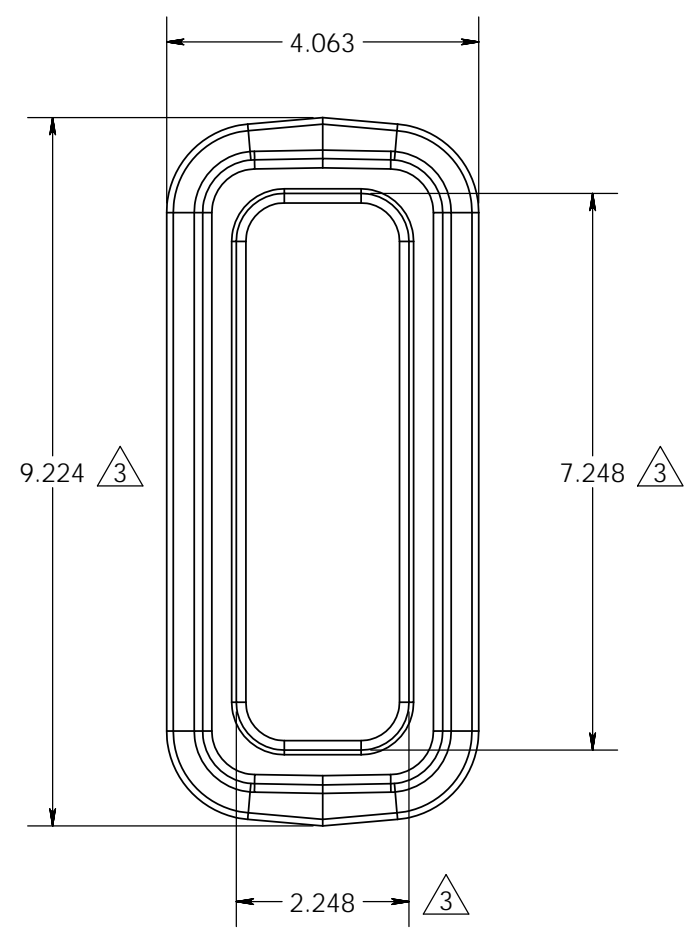
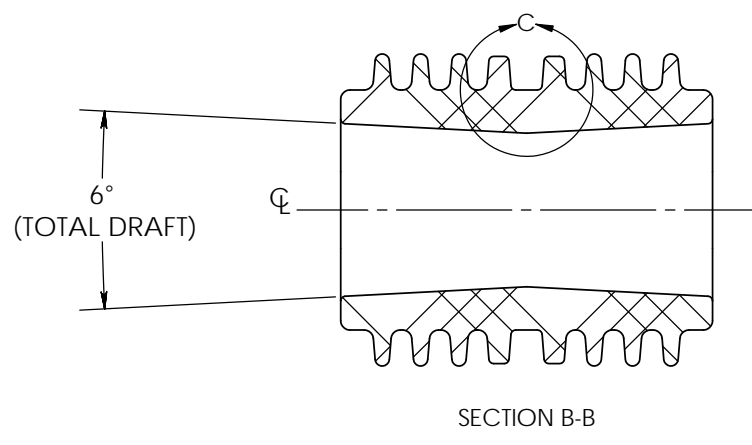
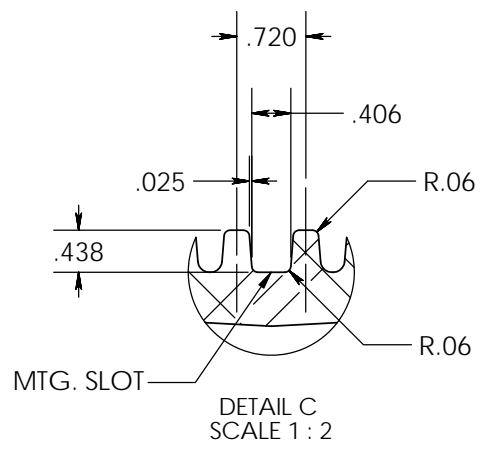


REVISIONS					
REV	DATE	ECN#	DESCRIPTION	BY	APPROVED
1	1/22/2009		UPDATED DRAWING TO HJI TEMPLATE.	JH	DB
2	6/3/2014	PQI# 10734	ADDED CYCLOALIPHATIC EPOXY OPTION	CLS	NK
3	10/25/2021	PQI E2005013	UPDATE MODEL/DIMS PER NEW MOLD	CLS	



NOTES:
 1. VOLTAGE RATING VARIES WITH MOUNTING PLATE MATERIALS, PROXIMITY TO GROUND AND PHASE TO PHASE CLEARANCES

MATERIAL:
 1. BISPHENOL-A EPOXY (INDOOR, GREY)
 2. CYCLOALIPHATIC EPOXY (OUTDOOR, GREY)

SPECIFICATIONS:
 1. RECOMMENDED OPENING 3.13" X 8.13"
 2. TEMPERATURE CLASSIFICATION..... -40°C TO 105°C
 3. APPROXIMATE WEIGHT 4.3 LBS

PROPRIETARY AND CONFIDENTIAL
 THE INFORMATION CONTAINED IN THIS DRAWING IS THE SOLE PROPERTY OF H-J INTERNATIONAL, INC. ANY REPRODUCTION IN PART OR AS A WHOLE WITHOUT THE WRITTEN PERMISSION OF H-J INTERNATIONAL, INC. IS STRICTLY PROHIBITED.

TOLERANCES (EXCEPT AS NOTED)
 ONE PLACE MM ±1.50
 TWO PLACE MM ±0.75
 TWO PLACE DEC. ±.060
 THREE PLACE DEC. ±.030
 FRACTIONS ± 1/16"
 ANGLES 2°

BREAK ALL SHARPS UNLESS OTHERWISE NOTED



H-J INTERNATIONAL, INC.
 3010 HIGH RIDGE BLVD, HIGH RIDGE, MO. 63049 USA
 PHONE 1-636-677-3421 FAX 1-636-376-1915

EPOXY INSULATING SLEEVE
 2.00" X 7.00" WINDOW

DRAWING NO. **07-203-100**

SCALE 2:5 SIZE B REV. 3 SHEET 1 OF 1