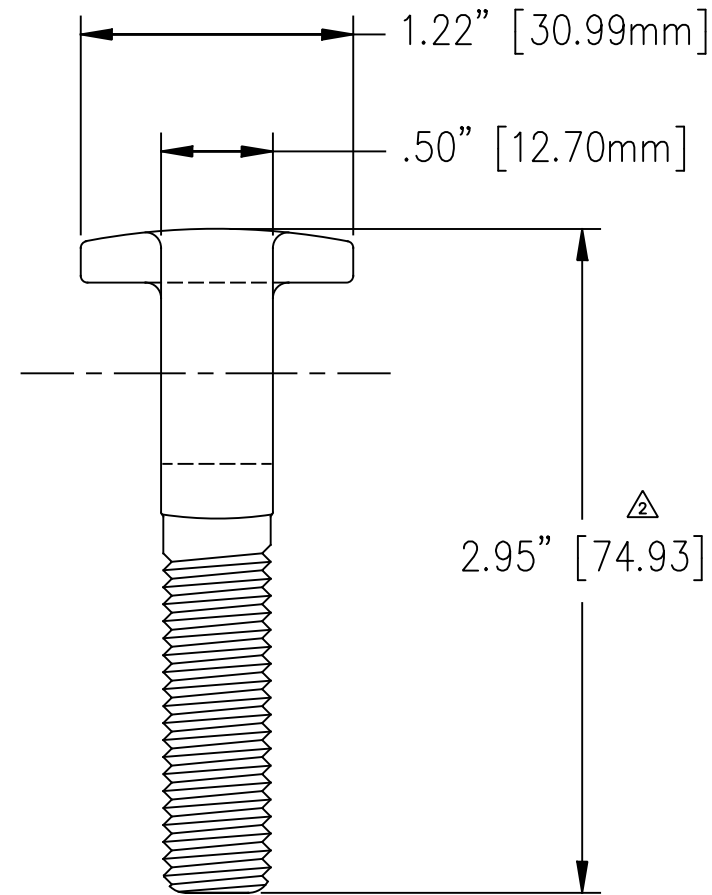
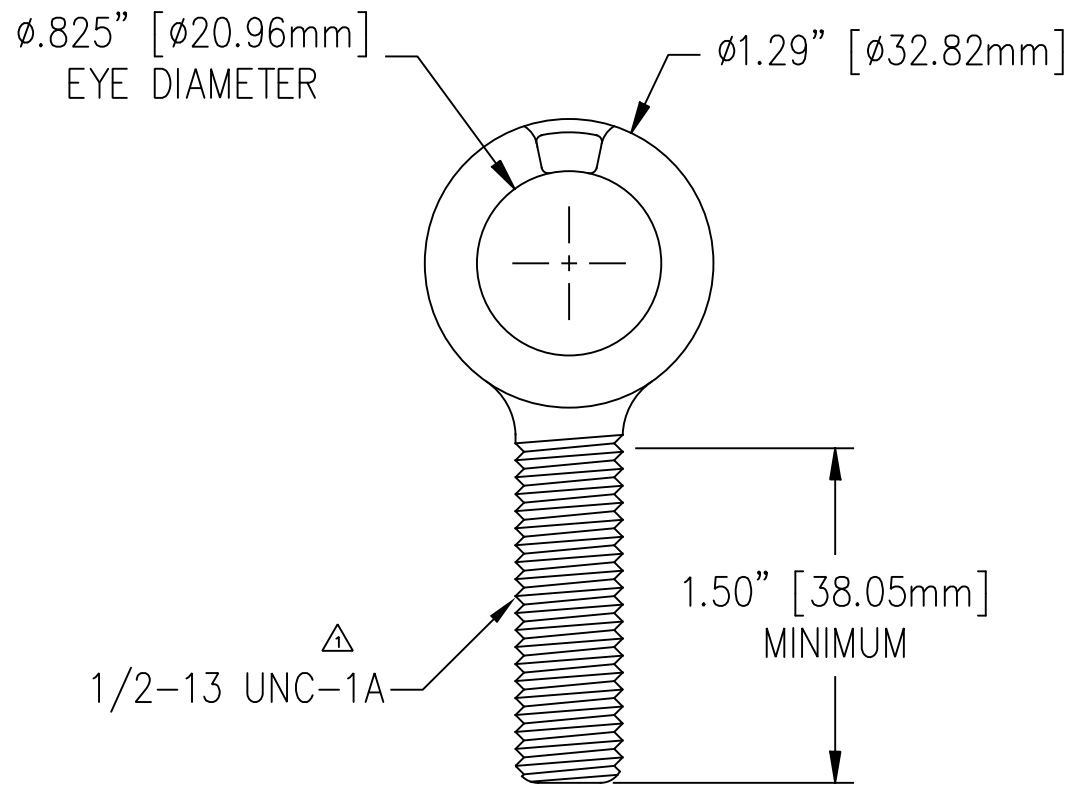


REVISIONS					
NO.	DATE	ECN #	REMARKS	BY	APPD.
①	2-25-02	HJ02-002	CHANGED THREAD CALLOUT FROM 2A TO 1A.	CJT	LHE
②	5/24/2019	HJ19-090	CORRECTED DIM, WAS 2.97-T0-2.95	TJF	LO



TOLERANCES (EXCEPT AS NOTED) DECIMAL $\pm .032'' / .8\text{mm}$ FRACTIONAL \pm ANGULAR $\pm 2'$		H-J ENTERPRISES, INC. 3010 HIGH RIDGE BLVD. HIGH RIDGE, MO. 63049 USA PHONE 1-636-677-3421 FAX 1-314-376-1915		
		EYEBOLT		
		MATERIAL CDA-955 TIN PLATED		
		CHK'D DATE 12-17-01	APP'D SCALE N.T.S.	DRAWING NO. EB7013-002
DRAWN BY CJT				