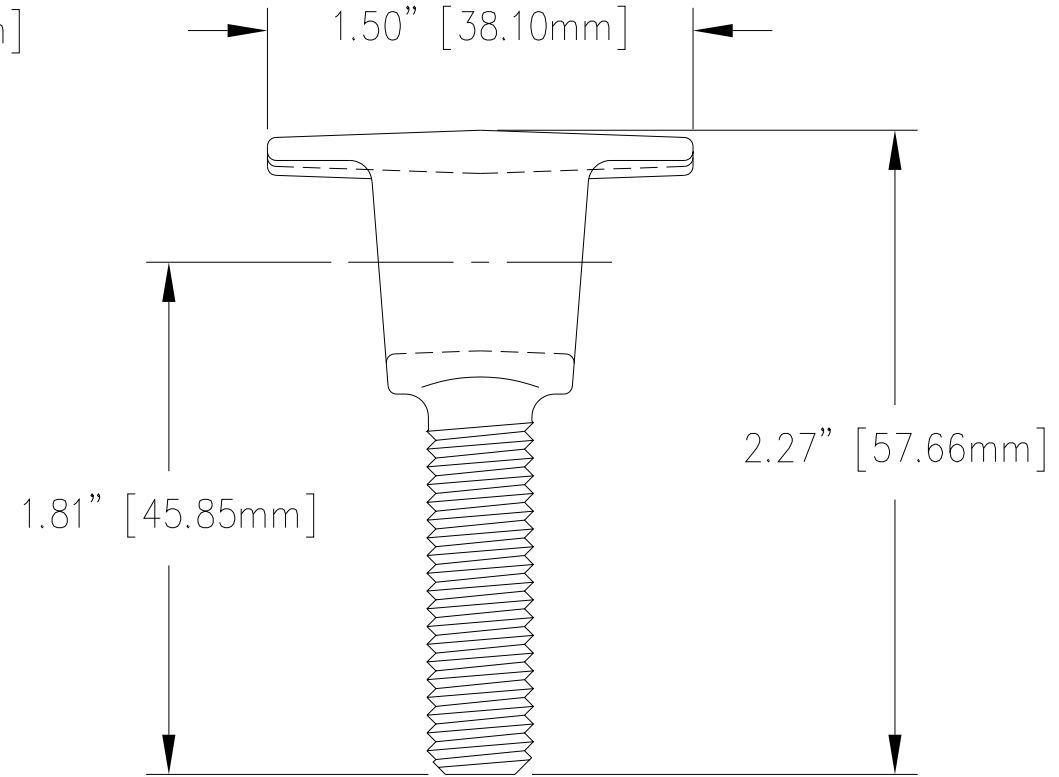
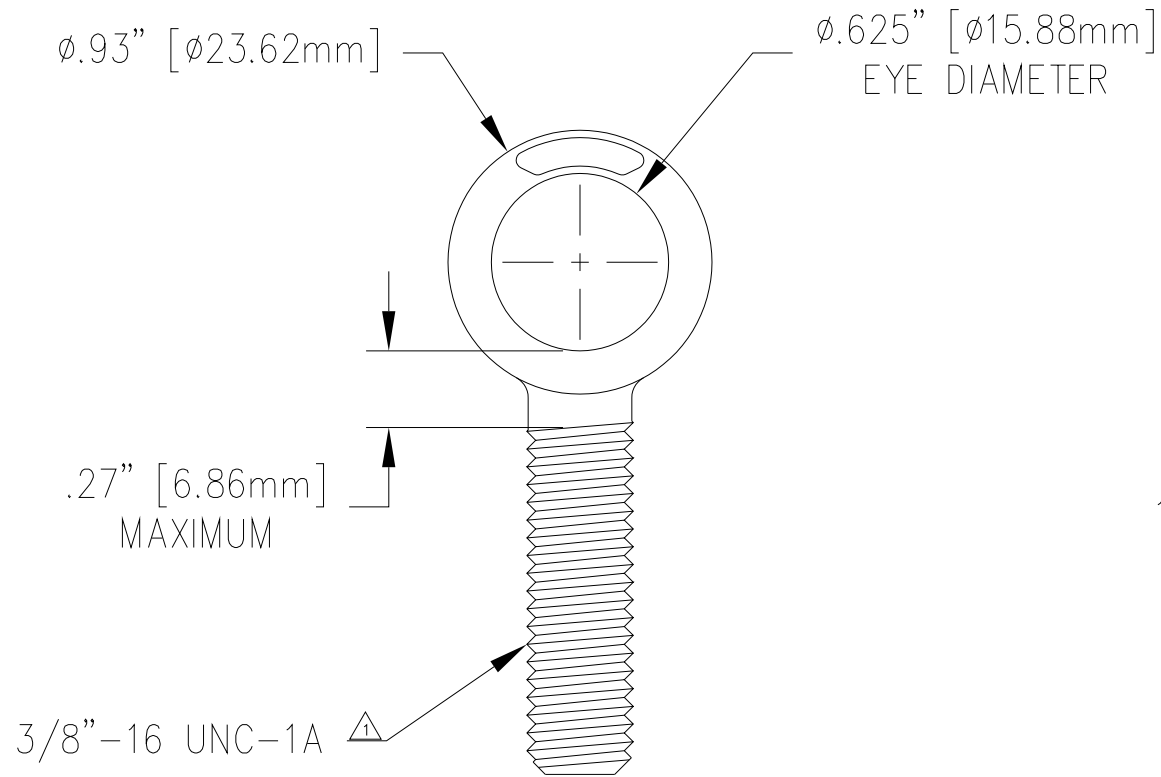



REVISIONS					
NO.	DATE	ECN #	REMARKS	BY	APPD.
⚠	2-25-02	HJ02-002	CHANGED THREAD CALLOUT FROM 2A TO 1A.	CJT	LHE



TOLERANCES (EXCEPT AS NOTED)				H-J ENTERPRISES, INC. 3010 HIGH RIDGE BLVD. HIGH RIDGE, MO. 63049 USA PHONE 1-636-677-3421 FAX 1-636-376-1915	
DECIMAL	$\pm .032$ " / .8mm			EYEBOLT MATERIAL CDA 955 TIN PLATED	
FRACTIONAL	\pm				
ANGULAR	$\pm 2^\circ$			DATE	SCALE
		DRAWN BY	DATE	SCALE	EB7011-001
		CJT	12-17-01	N.T.S.	