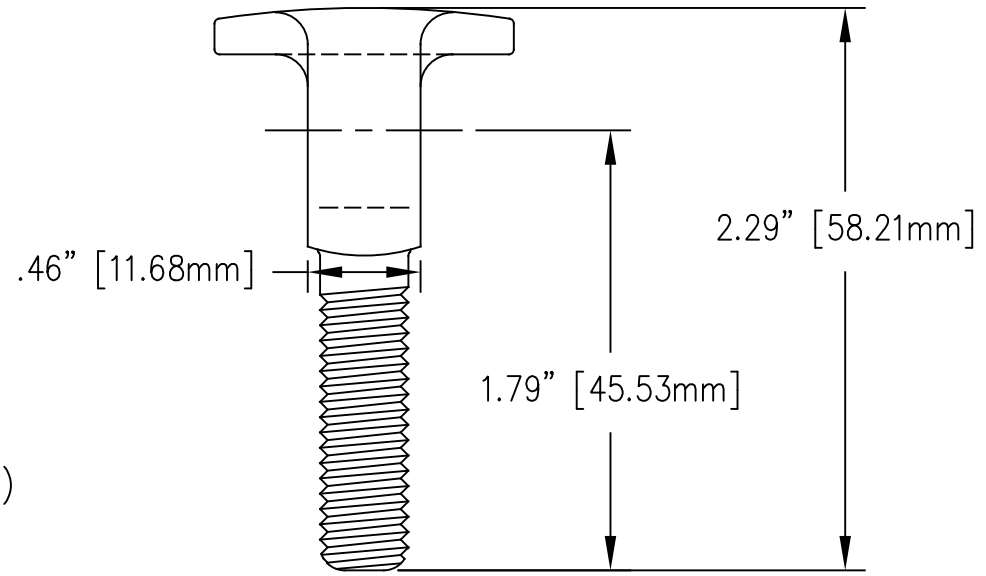
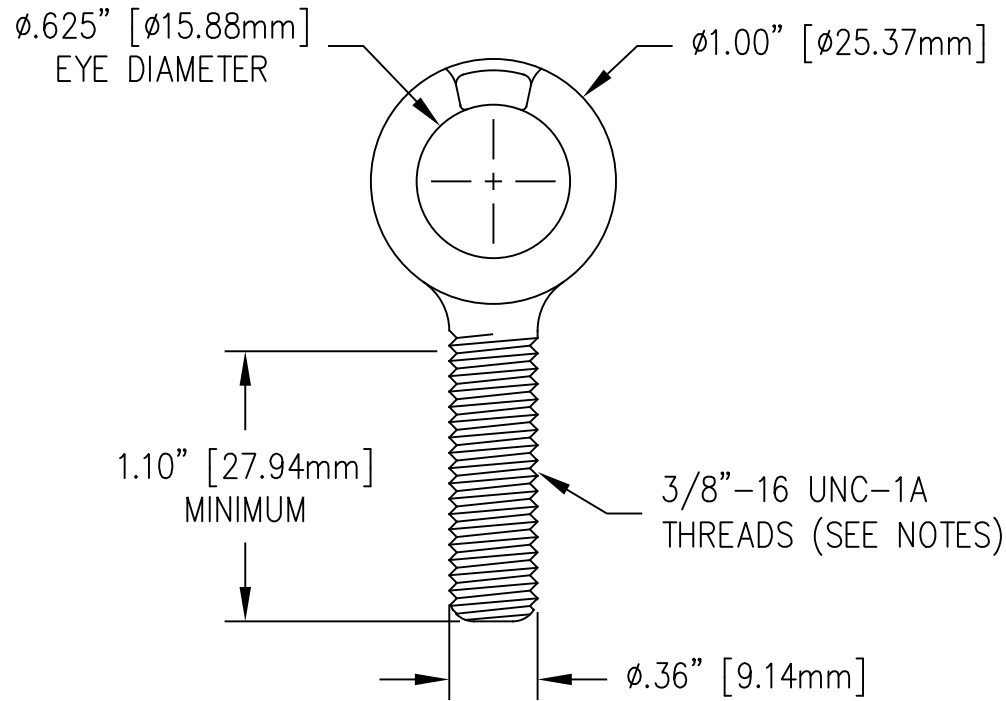



REVISIONS					
NO.	DATE	ECN #	REMARKS	BY	APPD.



NOTE:
 - THREADS MUST BE CHECKED WITH $3/8''-16$ UNC-1A CONTINUITY GAGE.

TOLERANCES (EXCEPT AS NOTED)				H-J ENTERPRISES, INC. 3010 HIGH RIDGE BLVD. HIGH RIDGE, MO. 63049 USA PHONE 1-636-677-3421 FAX 1-636-376-1915	
DECIMAL	$\pm .032''/.8\text{mm}$			EYEBOLT MATERIAL C95500 TIN PLATED	
FRACTIONAL	\pm				
ANGULAR	$\pm 2^\circ$	CHK'D CJT	APP'D	DRAWING NO.	
DRAWN BY MAD		DATE 11/29/2018		SCALE N.T.S.	
				EB7002-006	