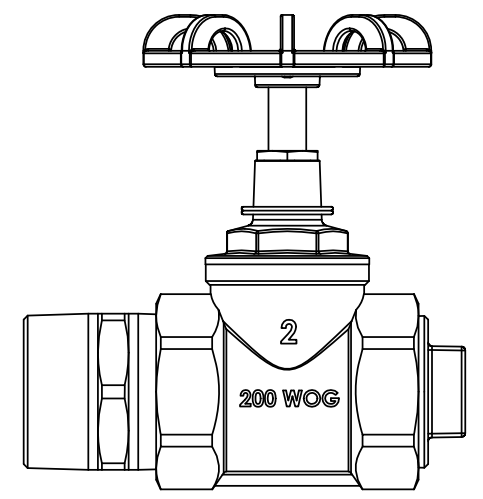
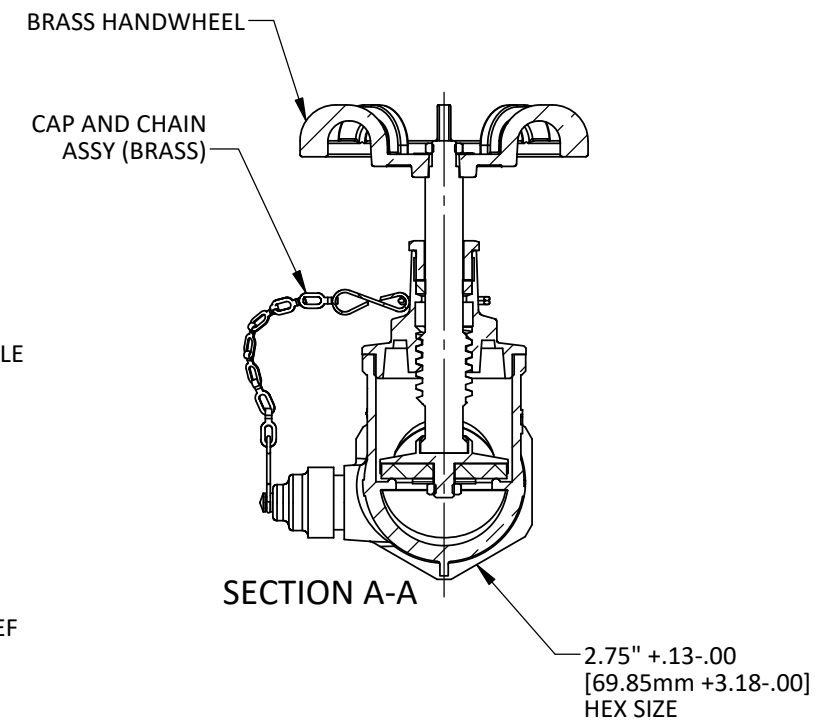
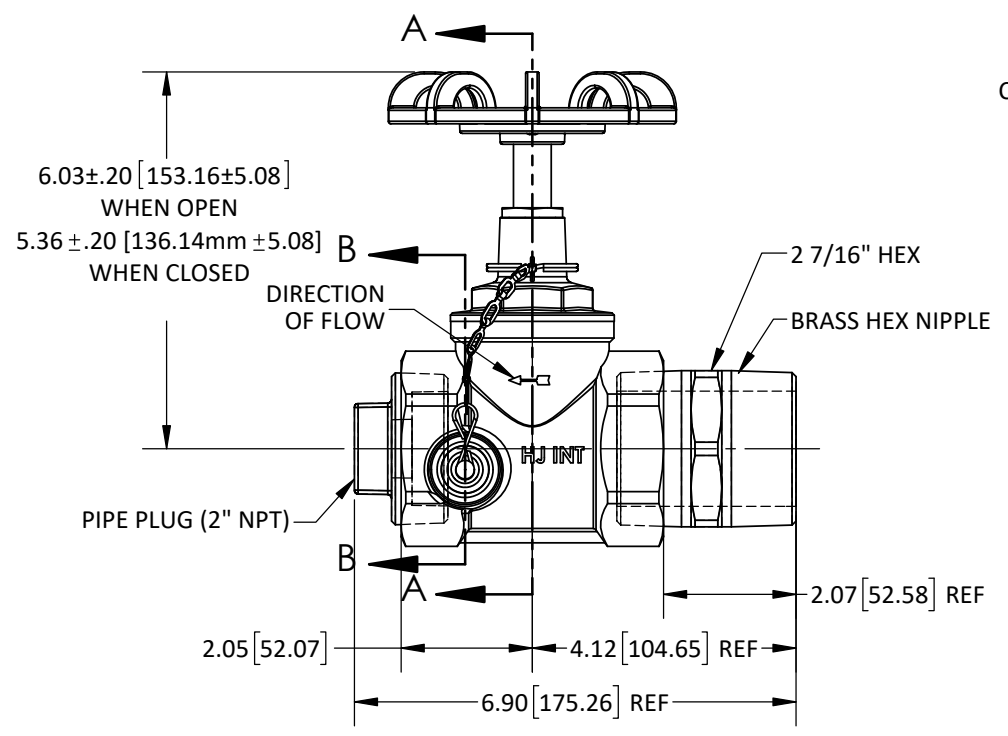
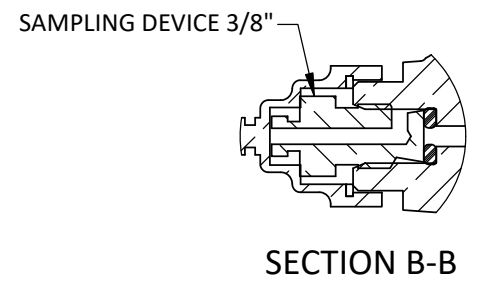
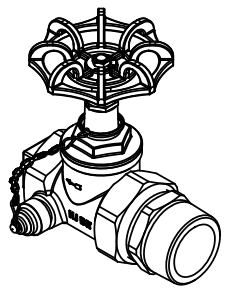


REVISIONS					
REV	DATE	ECN #	DESCRIPTION	BY	APPROVED



- NOTES:
1. ELECTRICAL APPARATUS VALVE.
 2. RATING: 200 LBS. WOG (WATER-OIL-GAS)
 3. VALVE BODY: C377 or HPb58-3
 4. PTFE DISC
 5. GASKETS: VITON
 6. SAMPLER IS ON OUTLET SIDE OF VALVE.

<p>THIRD ANGLE</p>	<p>TOLERANCES (EXCEPT AS NOTED)</p>		<p>THE H-J FAMILY OF COMPANIES 3010 HIGH RIDGE BLVD. HIGH RIDGE, MO. 63049 USA PHONE 1-636-677-3421 FAX 1-636-677-7808</p>		
	<p>DECIMAL</p> <p>±</p> <p>FRACTIONAL</p> <p>±</p> <p>ANGULAR</p> <p>±</p>		<p>2" GLOBE VALVE W/ SIDE SAMPLER, BRASS PLUG & NIPPLE</p>		
<p>PROPRIETARY AND CONFIDENTIAL</p> <p>THE INFORMATION CONTAINED IN THIS DRAWING IS THE SOLE PROPERTY OF THE H-J FAMILY OF COMPANIES. ANY REPRODUCTION IN PART OR AS A WHOLE WITHOUT THE WRITTEN PERMISSION OF THE H-J FAMILY OF COMPANIES IS PROHIBITED.</p>		<p>MATERIAL</p> <p>SEE DRAWING</p>	<p>CHK'D</p> <p>-</p>	<p>APP'D</p> <p>-</p>	<p>DRAWING NO.</p> <p>DV1013-002</p>
<p>DRAWN BY</p> <p>CJT</p>		<p>DATE</p> <p>9/15/05</p>	<p>SCALE</p> <p>N.T.S.</p>	<p>DRAWING NO.</p> <p>DV1013-002</p>	