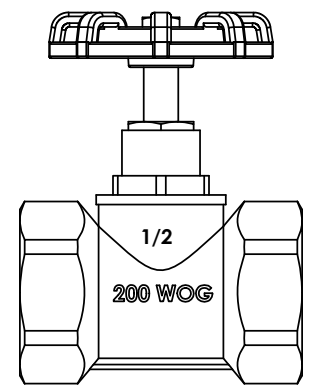
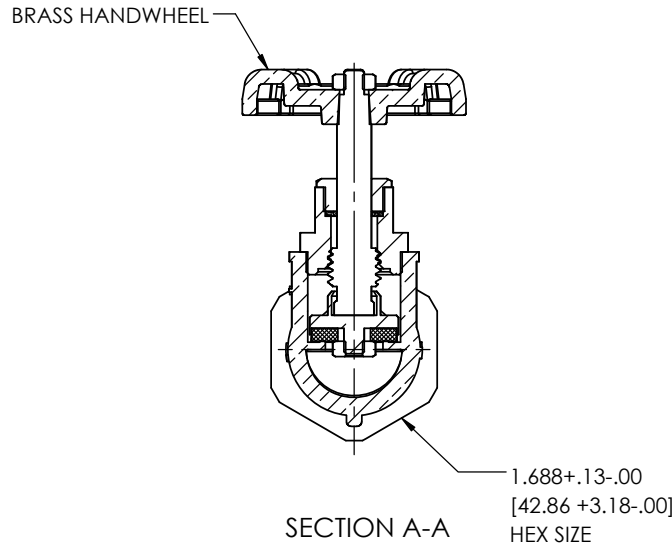
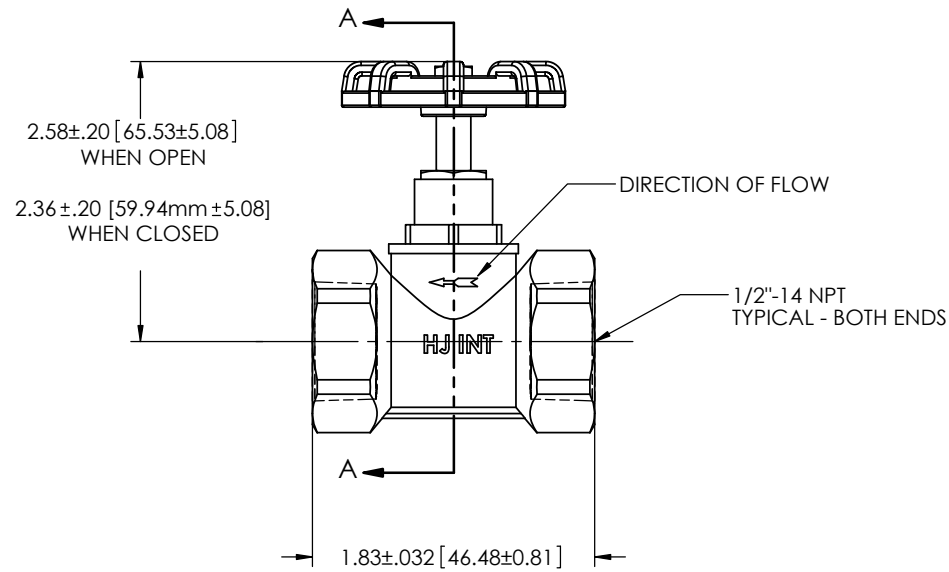
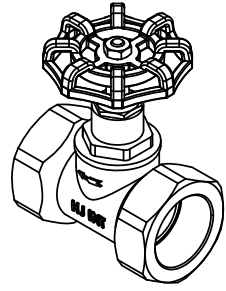


REVISIONS			
REV.	DATE	ECN #	DESCRIPTION



- NOTES:
1. ELECTRICAL APPARATUS VALVE.
 2. RATING: 200 LBS. WOG (WATER-OIL-GAS)
 3. VALVE BODY: C377 or HPb58-3
 4. TEFLON DISC
 5. GASKETS: VITON

	TOLERANCES (EXCEPT AS NOTED)		THE H-J FAMILY OF COMPANIES 3010 HIGH RIDGE BLVD. HIGH RIDGE, MO. 63049 USA PHONE 1-636-677-3421 FAX 1-636-677-7808	
	DECIMAL ± FRACTIONAL ± ANGULAR ±		1/2" GLOBE VALVE	
PROPRIETARY AND CONFIDENTIAL THE INFORMATION CONTAINED IN THIS DRAWING IS THE SOLE PROPERTY OF THE H-J FAMILY OF COMPANIES. ANY REPRODUCTION IN PART OR AS A WHOLE WITHOUT THE WRITTEN PERMISSION OF THE H-J FAMILY OF COMPANIES IS PROHIBITED.		MATERIAL SEE DRAWING	CHK'D - APP'D -	DRAWING NO.
DRAWN BY CJT		DATE 5-6-04	SCALE N.T.S.	DV1006-001