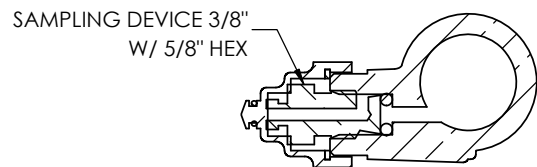
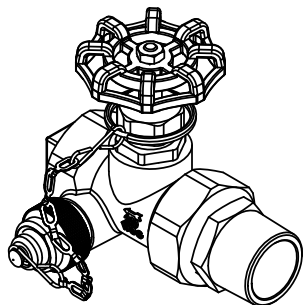
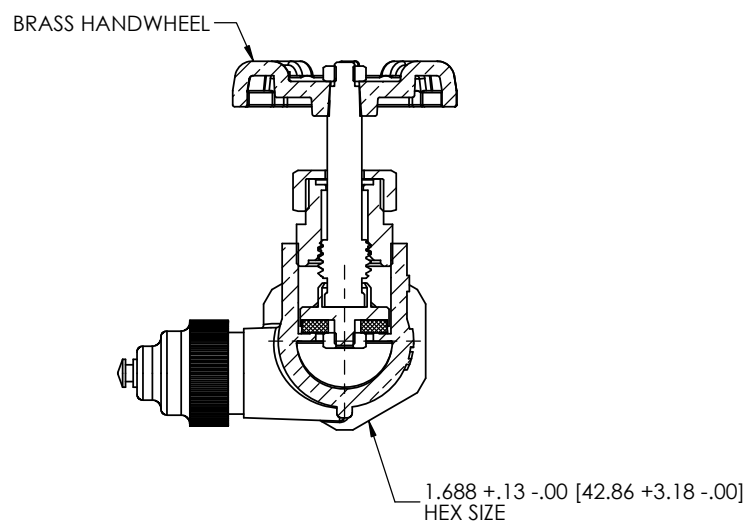
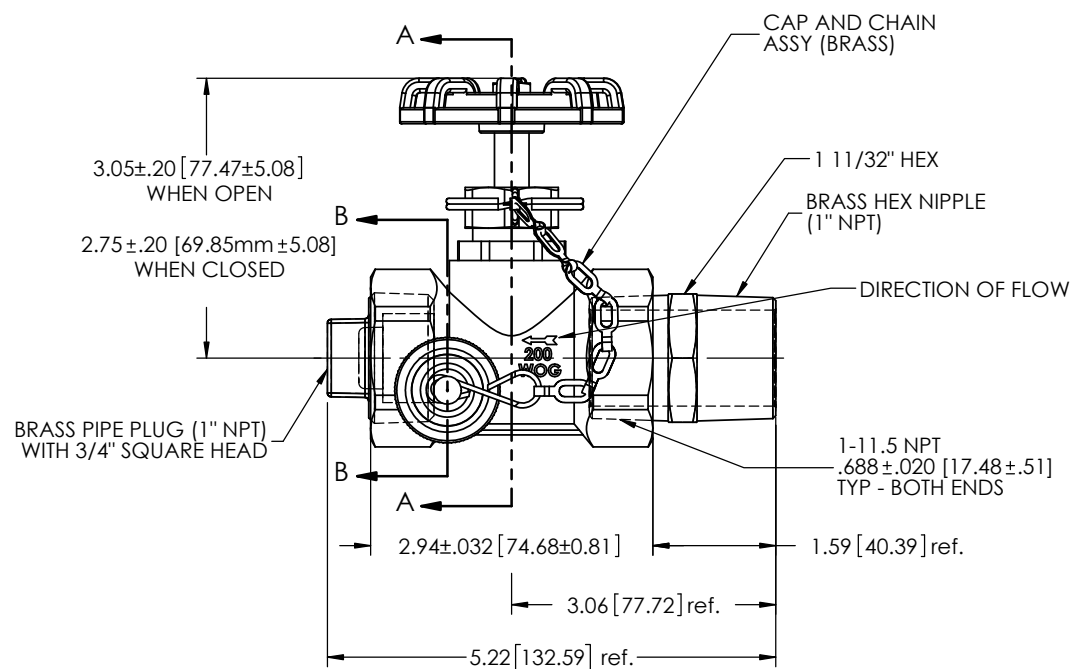


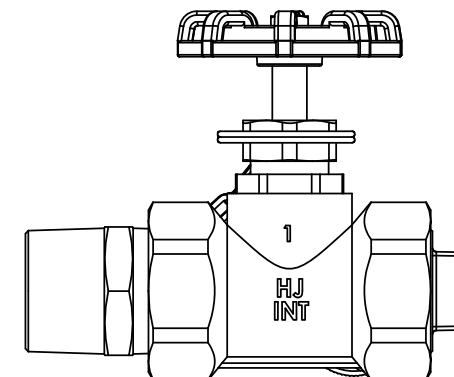
REVISIONS					
REV.	DATE	ECN #	DESCRIPTION	BY	APPROVED



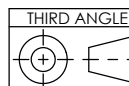
SECTION B-B



SECTION A-A



- NOTES:
1. ELECTRICAL APPARATUS VALVE.
  2. RATING: 200 LBS. WOG (WATER-OIL-GAS)
  3. VALVE BODY: C377 or HPb58-3
  4. TEFLON DISC
  5. GASKETS: VITON
  6. SAMPLER IS ON OUTLET SIDE OF VALVE.



THIRD ANGLE  
TOLERANCES  
(EXCEPT AS NOTED)

- DECIMAL ±
- FRACTIONAL ±
- ANGULAR ±
- ±

**PROPRIETARY AND CONFIDENTIAL**  
THE INFORMATION CONTAINED IN THIS DRAWING IS THE SOLE PROPERTY OF THE H-J FAMILY OF COMPANIES. ANY REPRODUCTION IN PART OR AS A WHOLE WITHOUT THE WRITTEN PERMISSION OF THE H-J FAMILY OF COMPANIES IS PROHIBITED.



THE H-J FAMILY OF COMPANIES  
3010 HIGH RIDGE BLVD. HIGH RIDGE, MO. 63049 USA  
PHONE 1-636-677-3421 FAX 1-636-677-7808

1" GLOBE VALVE WITH SIDE SAMPLER

MATERIAL SEE DRAWING

CHK'D - APP'D -  
SCALE N.T.S.

DRAWING NO.  
DV1000-002-FB

DRAWN BY CJT DATE 8-6-07