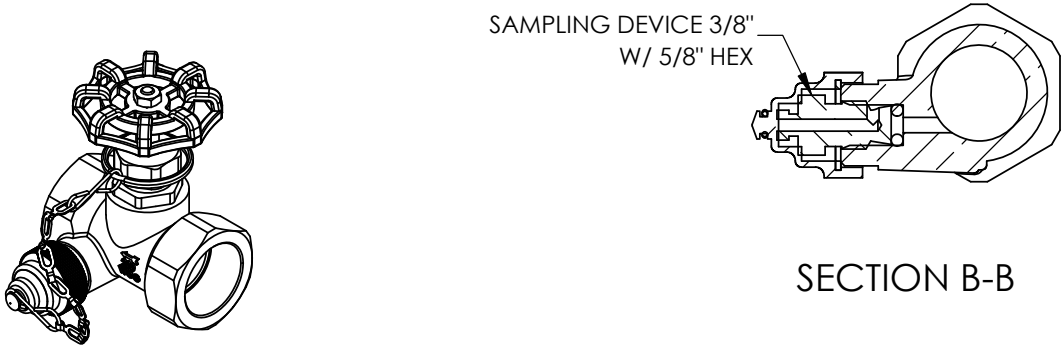
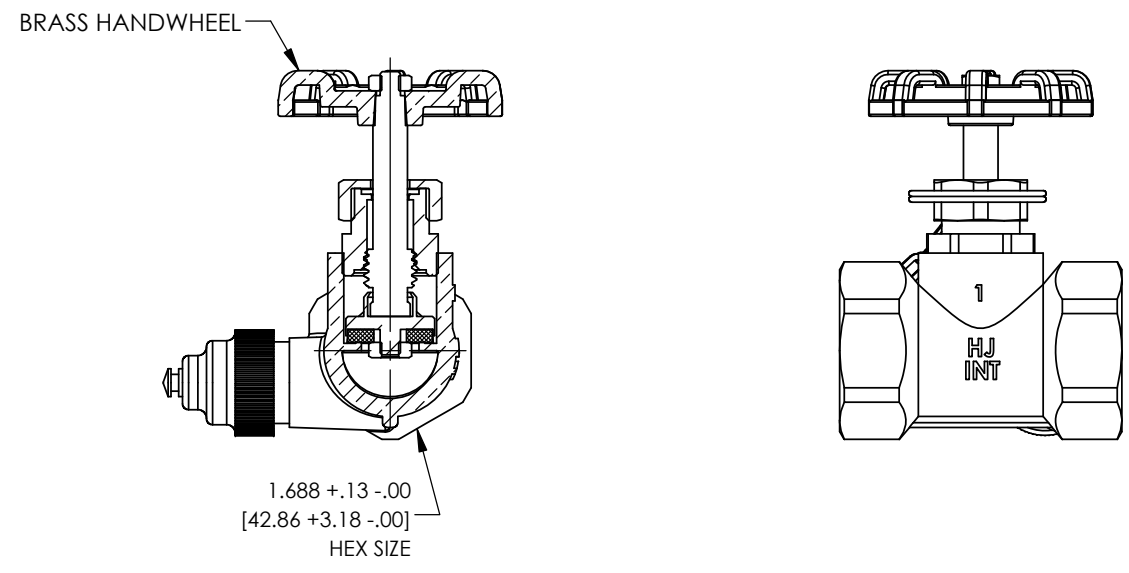
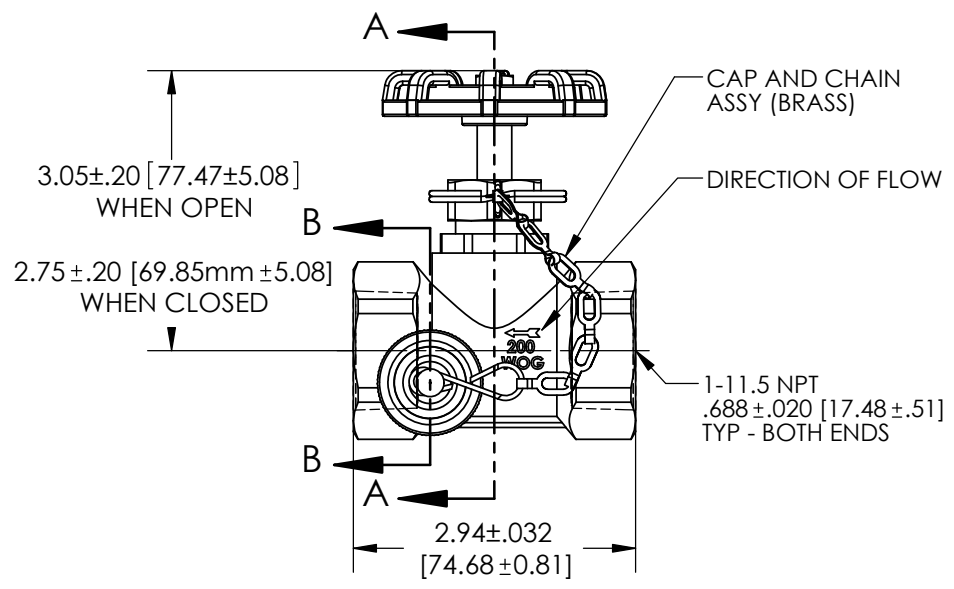


REVISIONS					
REV	DATE	ECN #	DESCRIPTION	BY	APPROVED



SECTION B-B



SECTION A-A

- NOTES:
1. ELECTRICAL APPARATUS VALVE.
 2. RATING: 200 LBS. WOG (WATER-OIL-GAS)
 3. VALVE BODY: C377 or HPb58-3
 4. TEFLON DISC
 5. GASKETS: VITON
 6. SAMPLER IS ON OUTLET SIDE OF VALVE.

<p>THIRD ANGLE</p>	<p>TOLERANCES (EXCEPT AS NOTED)</p>		<p>THE H-J FAMILY OF COMPANIES 3010 HIGH RIDGE BLVD. HIGH RIDGE, MO. 63049 USA PHONE 1-636-677-3421 FAX 1-636-677-7808</p>		
	<p>DECIMAL ± FRACTIONAL ± ANGULAR ±</p>		<p>1" GLOBE VALVE WITH SIDE SAMPLER</p>		
<p>PROPRIETARY AND CONFIDENTIAL</p> <p>THE INFORMATION CONTAINED IN THIS DRAWING IS THE SOLE PROPERTY OF THE H-J FAMILY OF COMPANIES. ANY REPRODUCTION IN PART OR AS A WHOLE WITHOUT THE WRITTEN PERMISSION OF THE H-J FAMILY OF COMPANIES IS PROHIBITED.</p>	<p>DRAWN BY PWD</p>	<p>DATE 04/18/2007</p>	<p>MATERIAL SEE DRAWING</p>	<p>CHK'D - APP'D -</p>	<p>DRAWING NO. DV1000-001-FB</p>
	<p>SCALE N.T.S.</p>	<p>SEE DRAWING</p>			<p>SCALE N.T.S.</p>