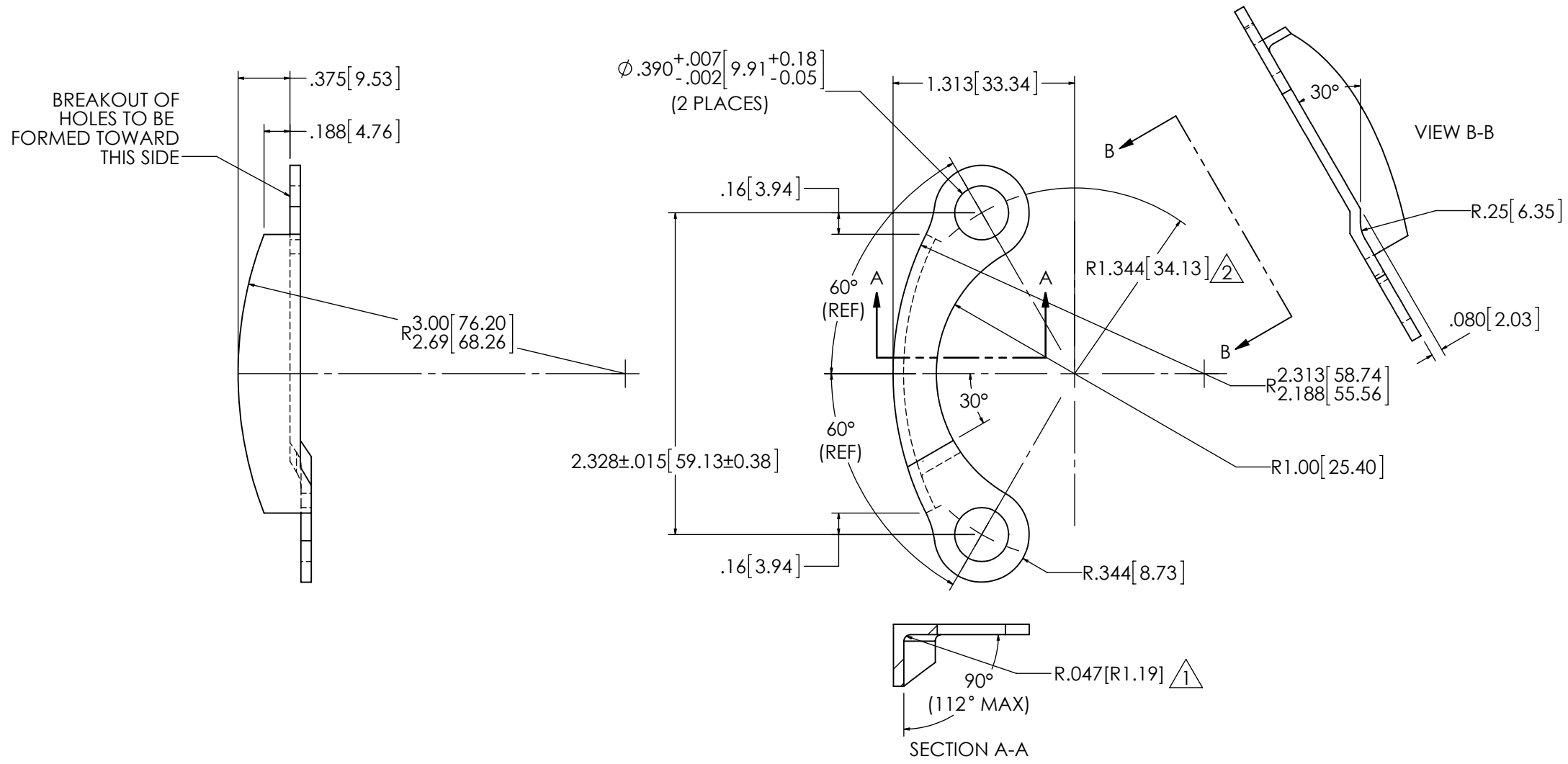


REVISIONS					
REV.	DATE	ECN #	DESCRIPTION	BY	APPROVED
1	7/31/2014	PQI10430	REVISED RADIUS FROM R.078 AND CHANGED TOLERANCE FROM $\pm .032$ "	CJT	BB
2	8/4/2014	PQI 10430	R1.344 WAS TWO-DECIMAL PLACES	CLS	DL



PROPRIETARY AND CONFIDENTIAL
 THE INFORMATION CONTAINED IN THIS DRAWING IS THE SOLE PROPERTY OF H-J INTERNATIONAL, INC. ANY REPRODUCTION IN PART OR AS A WHOLE WITHOUT THE WRITTEN PERMISSION OF H-J INTERNATIONAL, INC. IS PROHIBITED.

TOLERANCES (EXCEPT AS NOTED)	
DECIMAL	+/- .016"/.40mm
FRACTIONAL	+/-
ANGULAR	+/- 2 Degrees



H - J INTERNATIONAL, INC.
 3010 HIGH RIDGE BLVD. HIGH RIDGE, MO. 63049 USA
 PHONE 1-636-677-3421 FAX 1-636-376-1915

BUSHING CLAMP

MATERIAL .075" (#14 GA) 304 STAINLESS STEEL STRIP

CHK'D	CLS	APP'D	7/29/14	DRAWING NO.	C05105-001
DRAWN BY	CJT	DATE	7/29/2014	SCALE	