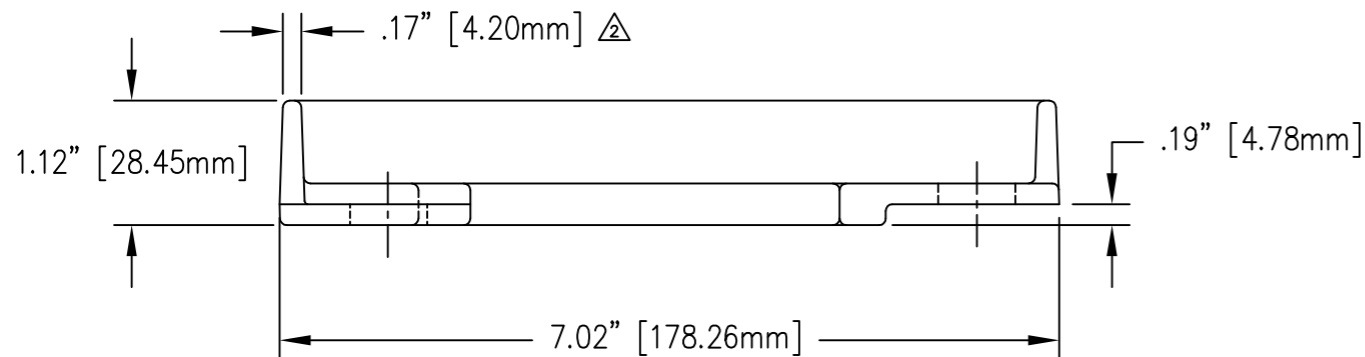
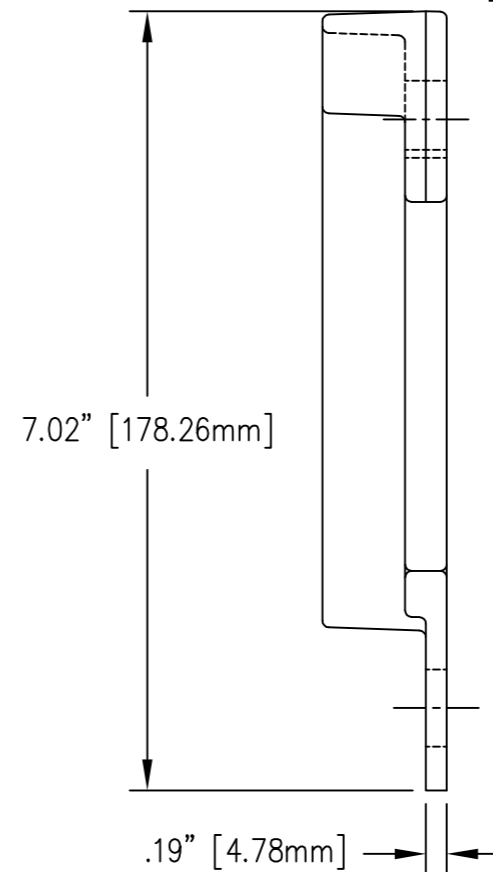
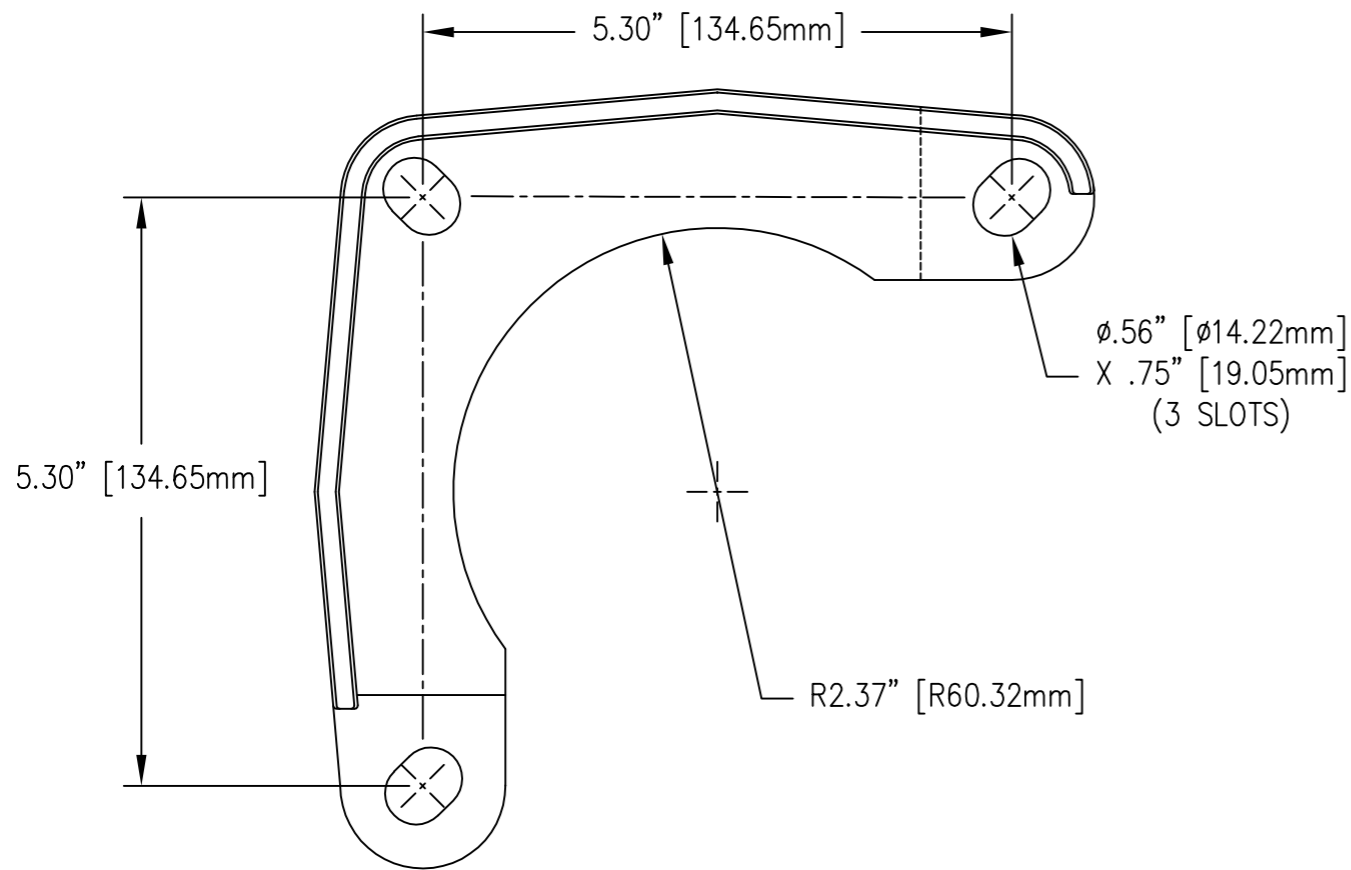


REVISIONS

NO.	DATE	ECN #	REMARKS	BY	APPD.
①	1-8-04	HJ04-003	REVISED MATERIAL NOTE AND ADDED NOTES 1-3.	PWD	SP
②	2-23-04	HJ04-036	ADDED A DIMENSION.	JRM	SP
③	3-25-09	HJ09-069	ADDED A380 MATERIAL & UPDATED REVISION BLOCK.	CJT	JFS



⚠ NOTES

1. CASTING TO BE FROM ALUMINUM 356-T6, A380, OR TENZALLOY ⚠
2. CASTING SURFACE ROUGHNESS CANNOT EXCEED 200 RMS
3. PART CANNOT HAVE ANY BURRS OR SHARP EDGES

TOLERANCES
(EXCEPT AS NOTED)

DECIMAL
± .032" / .8mm

FRACTIONAL
±

ANGULAR
± 2°



H-J ENTERPRISES, INC.
3010 HIGH RIDGE BLVD. HIGH RIDGE, MO. 63049 USA
PHONE 1-636-677-3421 FAX 1-636-376-1915

TWO PIECE
ROOF MOUNTING FLANGE

MATERIAL
SEE NOTES ⚠

CHK'D APP'D

DRAWING NO.

DRAWN BY
CJT

DATE
12-14-01

SCALE
N.T.S.

C05034-001