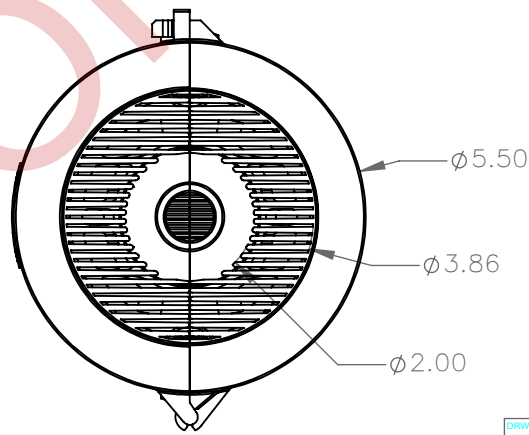
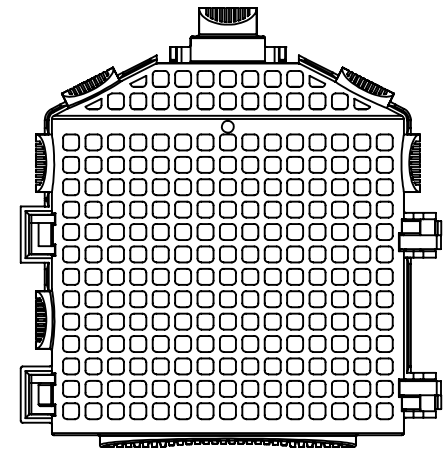
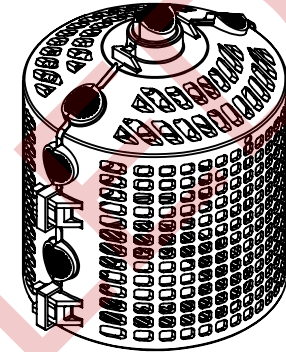
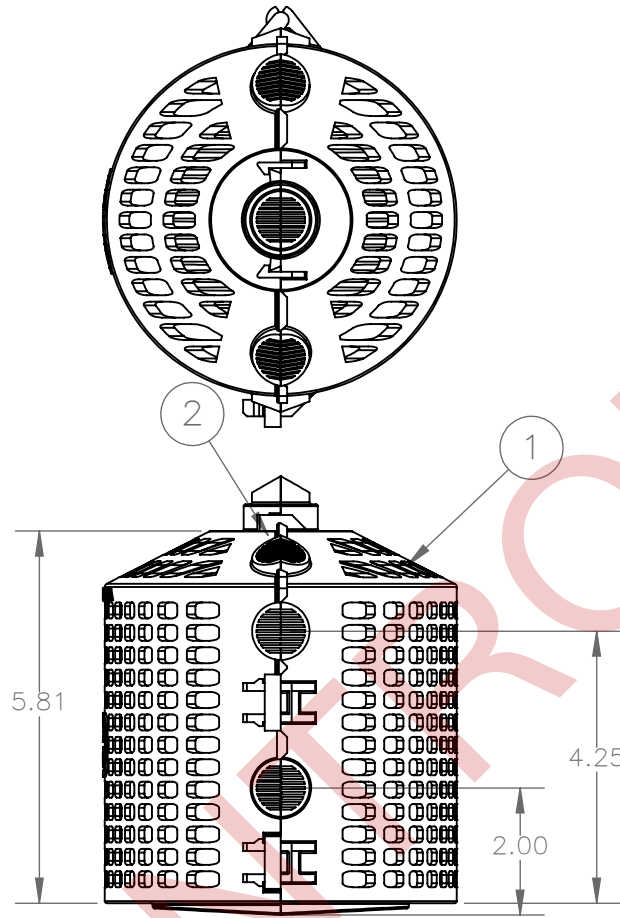
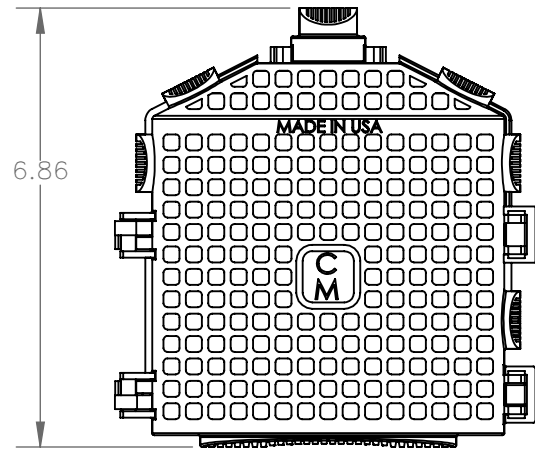


**PROPRIETARY INFORMATION**

THE INFORMATION CONTAINED ON THIS DRAWING IS CONSIDERED PROPRIETARY AND MAY NOT, IN WHOLE OR IN PART, BE REPRODUCED OR USED FOR THE MANUFACTURE OF THE PART DISCLOSED HERE-IN WITHOUT THE WRITTEN PERMISSION OF CENTRAL MOLONEY, INC.

NO. 70380499



NOTE: ALL DIMENSIONS ARE IN INCHES

2	MESHED MINI SHED MOUNT GUARD -LEFT	70380498	1	EA.
1	MESHED MINI SHED MOUNT GUARD (RIGHT)	70380497	1	EA.
ITEM NO.	DESCRIPTION	RM-PP-CC NO.	QTY.	U/M

DRAWN BY <b>B.M.</b>	SCALE: 1:4
DATE 7/12/17	
TOLERANCE UNLESS OTHERWISE SPECIFIED	
.X=±.100	
.XX=±.050	.XXX=±.010



Central Moloney, Inc.  
Components Operation

5500 Jefferson Parkway-Phone (870) 247-5320-Pine Bluff, Arkansas 71602

TITLE MESHED MINI SHED MT GUARD ASSEMBLY	NO. 70380499	REV.
---	-----------------	------