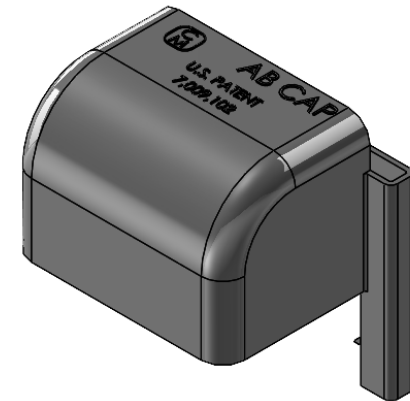
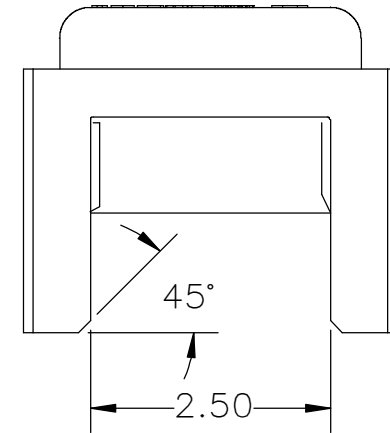
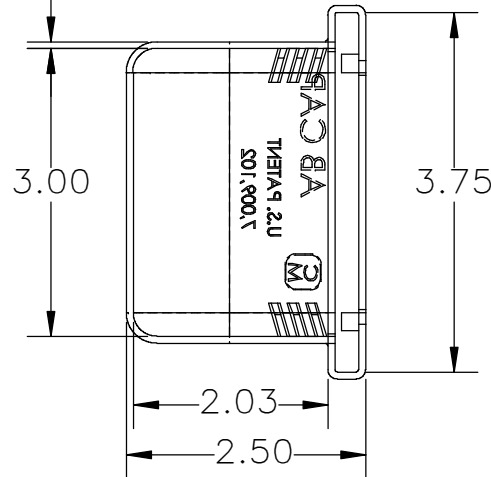
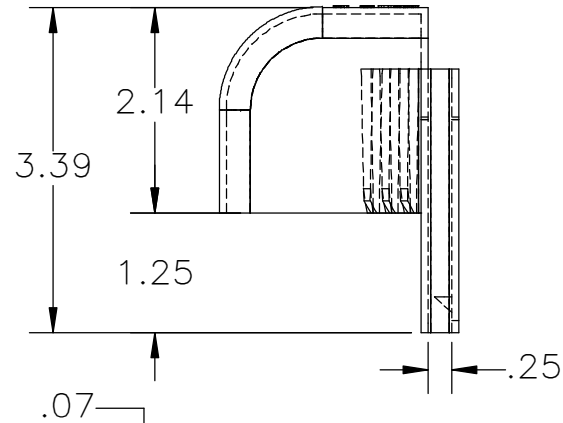
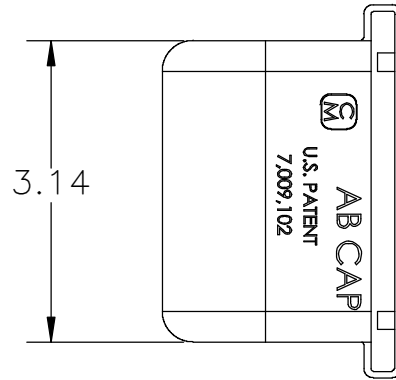
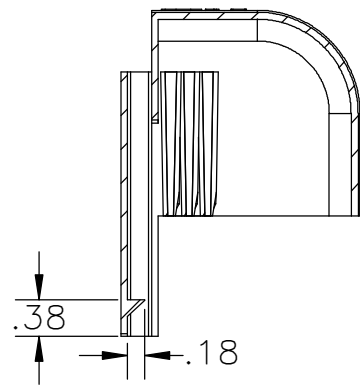
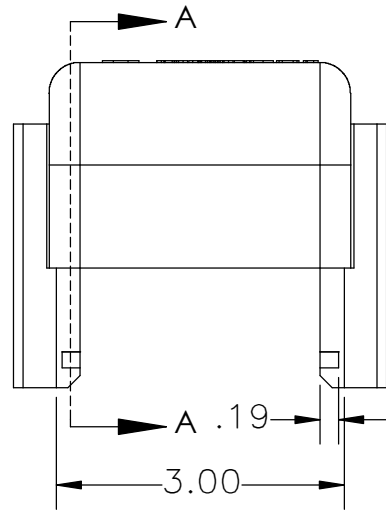


PROPRIETARY INFORMATION
 THE INFORMATION CONTAINED ON THIS DRAWING IS CONSIDERED PROPRIETARY AND MAY NOT, IN WHOLE OR IN PART, BE REPRODUCED OR USED FOR THE MANUFACTURE OF THE PART DISCLOSED HERE-IN WITHOUT THE WRITTEN PERMISSION OF CENTRAL MOLONEY, INC.

NO. 70380359

UNCONTROLLED



SECTION A-A

THIS IS A PURCHASED PART
 B.O.M. IS FOR REFERENCE ONLY

NOTE: ALL DIMENSIONS ARE IN INCHES

1	POLYPROPYLENE-FLAME RETARDANT (DARK GRAY)	70000032	.07	LB.
ITEM NO.	DESCRIPTION	RM-PP-CC NO.	QTY.	U/M

1	ADDED RIBS TO INSIDE OF GUARD	3016	1/3/23
NO.	REVISION	ECN NO.	DATE

DRWN BY	R.O.	SCALE: 1:2
DATE	2/27/19	
TOLERANCE UNLESS OTHERWISE SPECIFIED		
X = ± .100		
.XX = ± .050 .XXX = ± .010		

Central Moloney, Inc. Components Operation		NO. 70380359	REV. 1
5500 Jefferson Parkway—Phone (870) 247-5320—Pine Bluff, Arkansas 71602		TITLE: ARRESTER BRACKET WILDLIFE GUARD (FLAME RETARDANT)	